

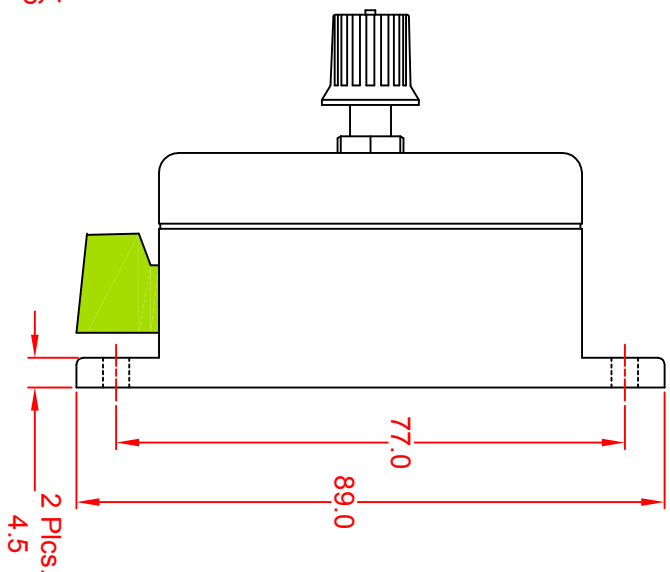
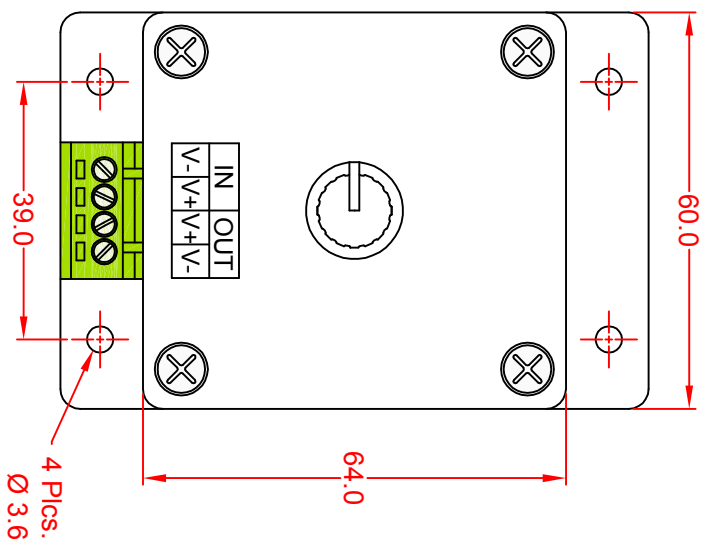
PWM LED DIMMER

FEATURES:

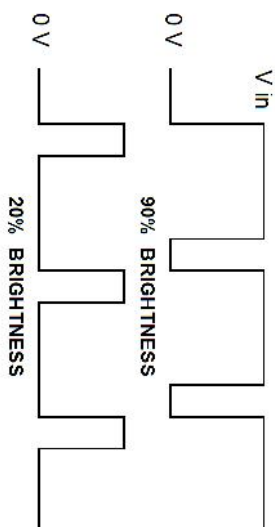
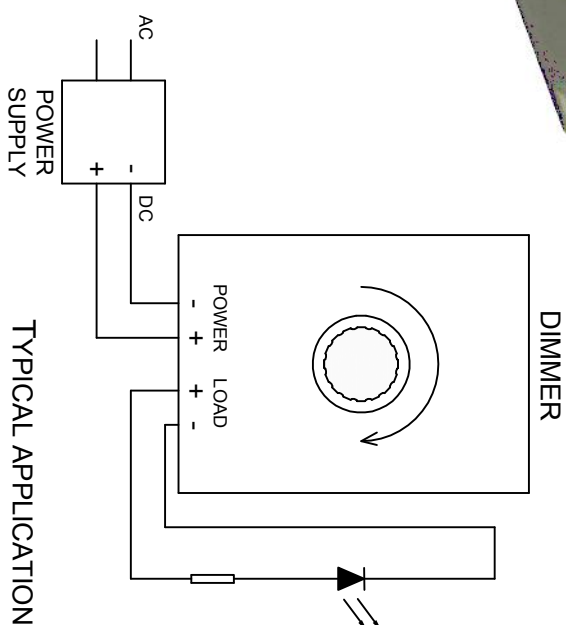
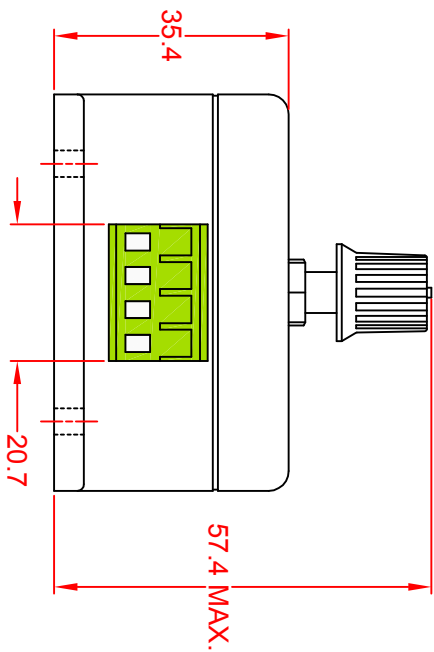
- WILL OPERATE ON 5, 6, 12 OR 24 VOLTS DC
- UP TO 8 AMPS OF AVAILABLE CURRENT DRIVE
- PULSE WIDTH MODULATED OUTPUT FOR SMOOTH TRANSITION FROM 100% TO 20% BRIGHTNESS
- OPERATION TEMPERATURE -20° C TO +60° C
- LOW POWER CONSUMPTION (LESS THAN 1 WATT)



REV.	DESCRIPTION	DATE
RELEASED		6/15/10
A	ADD ELECTRICAL CHART	4/14/11
B	CHANGE 24V ON ELECT. CHART	4/26/11
C	ADD FEATURES NOTE & PHOTO	6/24/13
D	ADDED DIMENSIONS	12/19/14



Shaft Diameter - 6.0mm
Rotation Angle - 120°



JKL PART NO.: ZDM-01

METRIC	DIMENSIONS ARE IN MILLIMETERS	TITLE
THIRD ANGLE PROJECTION	TOLERANCE UNLESS OTHERWISE SPECIFIED 1 PL +/- REF. 2 PL +/- REF. ANGLE +/- REF.	JKL COMPONENTS CORPORATION
PWM LED DIMMER		

DRAWN BY	APPR'D BY	DATE	SIZE	FSGM NO.	DRAWING NO.	RELEASED DATE	REVISION DATE	REV. NO.	SHEET
L. WENGSTROM		12/19/14	A	55335	ZDM-01	6/15/10	12/19/14	D	1 OF 1
- CAD DRAWING -									
MANUAL REVISIONS NOT PERMITTED									