

# DATA SHEET

OEM SERIES-LITHIUM IRON MOTORCYCLE STARTING BATTERY



## SPECIFICATIONS

Model No.	PLFE-20L	
Dimensions	Length	175mm
	Width	87mm
	Height	155mm
Weight	1.4kg	



**PLFE-20L**

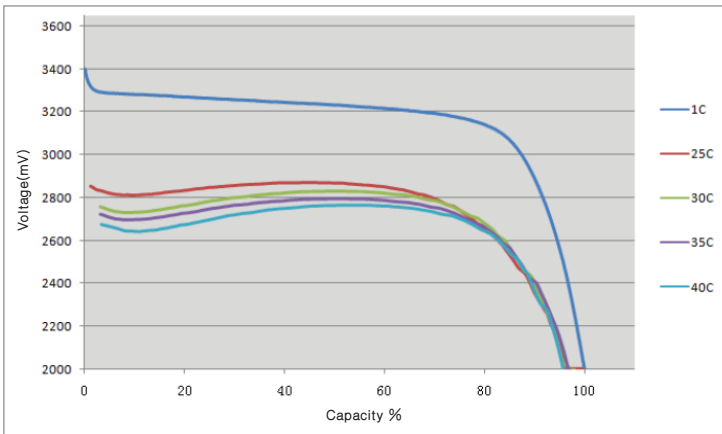
## CHARACTERISTICS

Nominal Voltage	12V	
Capacity	6Ah	
Nominal Power	72Wh	
Internal Resistance	<10mΩ	
Working Voltage	10V~14.4V	
Operating Temperature Range	Charge	0°C ~ +45°C
	Discharge	-20°C ~ +55°C
	Storage	0°C ~ 30°C
Charge Current (A)	3A(0.5C) , Max. 12A(2C)	
Charge Retention	30 days >97%	
Discharge	Continuous	240A (40C)
	Maximum	420A(60C) ≤15S
CCA ( -18°C storage for 20h )	180A(30C) ≤15S	
Cycle Life	2000 cycles	

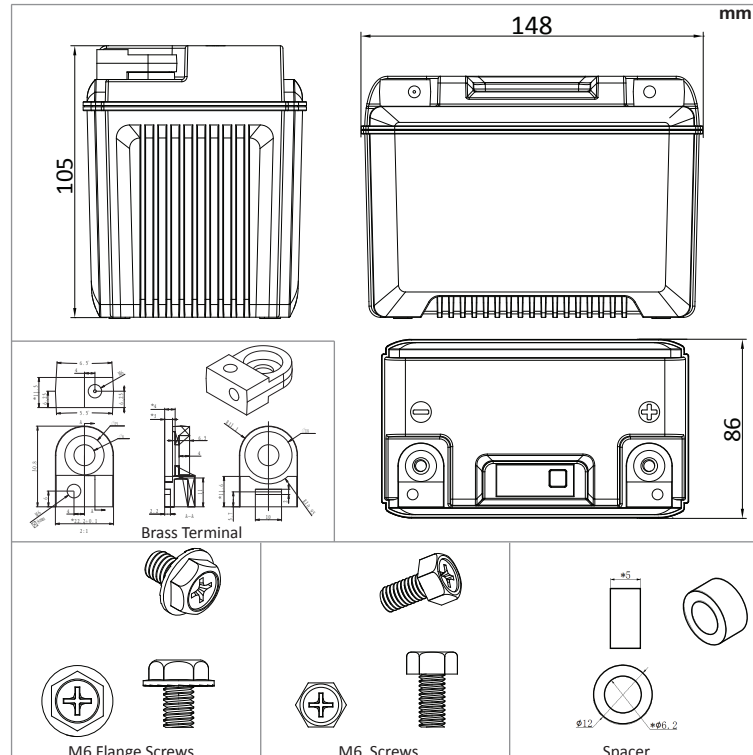
## REPLACEMENTS

YTX20L-BS	Y50-N18L-A-CX	Y50-N18L-A3	ETX14L
YTX20HL-BS	Y50-N18L-A	Y50-N18L-AT	
YTX24HL-BS	Y50-N18L-A2		

## DISCHARGING GRAPH



## DRAWINGS



## CERTIFICATIONS



**Poweroad (Xiamen) Renewable Energy Technology Co., Ltd.**

Office: 7/F Haiyun Building, No. 16, Haishan Road, Xiamen, Fujian, China, 361013  
 Factory: Rongyuan Industrial Park, No. 8, Xiayang Road, Haicang District, Xiamen, Fujian, China, 361028

+86 592 5558102  
 sales@poweroad.com  
 www.poweroad.com

**POWERROAD reserves the right to modify the specifications and features without prior notice.**