



DATA SHEET

OEM SERIES-LITHIUM IRON MOTORCYCLE STARTING BATTERY

SPECIFICATIONS

Model No.	PLFE-12B-4	
Dimensions	Length	150mm
	Width	65mm
	Height	130mm
Weight	980g	

CHARACTERISTICS

Nominal Voltage	12V	
Capacity	4Ah	
Nominal Power	48Wh	
Initial Impedance	<12mΩ	
Working Voltage	8V~14.4V	
Operating Temperature	Charge	0°C ~ +45°C
	Discharge	-20°C ~ +55°C
Storage Temperature	0°C ~ 30°C	
Charge Current	2A (0.5C), Max. 8A (2C)	
Charge Retention	30 days ≥ 95%	
Discharge	Continuous	160A (40C)
	Maximum	280A (70C, 15S)
CCA (-18°C storage for 20h)	120A (30C, 15S)	
Cycle Life	2000 cycles	

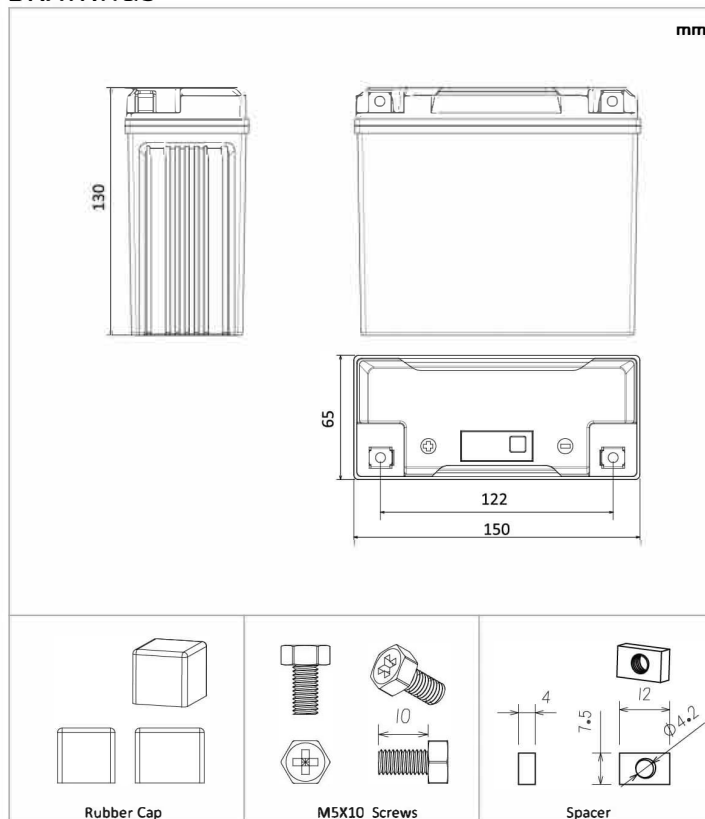


PLFE-12B-4

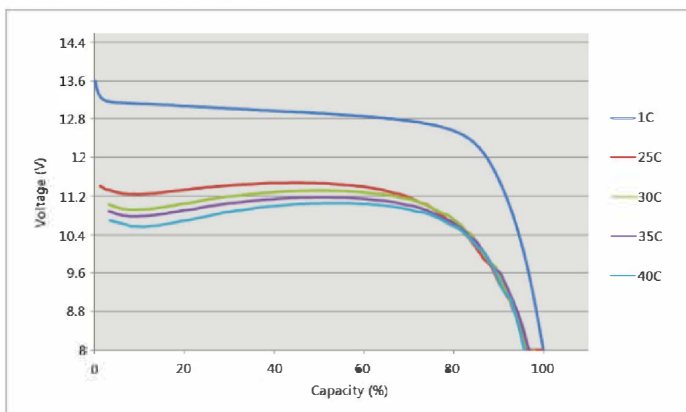
REPLACEMENTS

YT12B-4

DRAWINGS



DISCHARGING GRAPH



CERTIFICATIONS



Poweroad (Xiamen) Renewable Energy Technology Co., Ltd.

Office: 7/F Haiyun Building, No. 16, Haishan Road, Xiamen, Fujian, China, 361013
 Factory: Rongyuan Industrial Park, No. 8, Xiayang Road, Haicang District, Xiamen, Fujian, China, 361028

+86 592 5558102
 sales@poweroad.com
 www.poweroad.com

POWERROAD reserves the right to modify the specifications and features without prior notice.