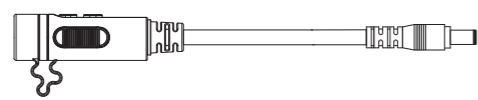
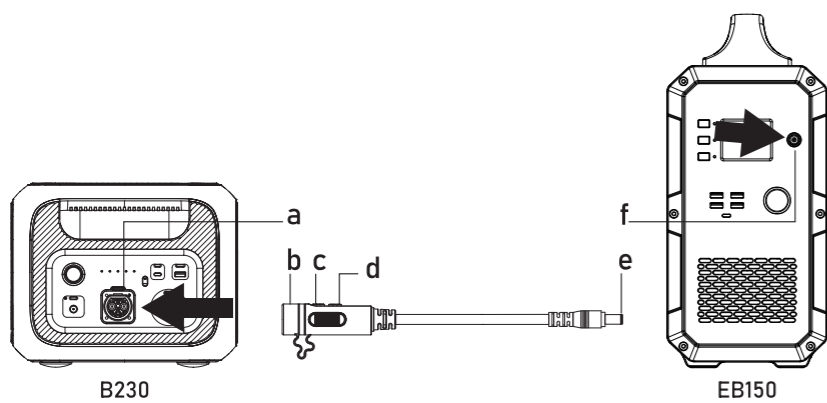


Cable P090D-7909

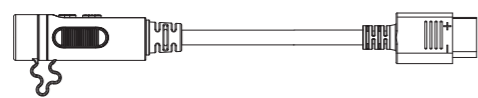


Compatible Model: EB120, EB150, EB180, EB240

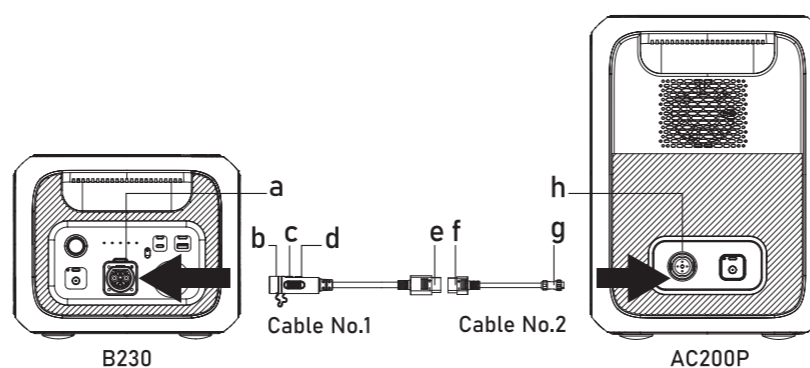


- Step 1: Long press the power button of B230 or B300 in 2 seconds to TURN IT OFF.
- Step 2: Press the switch(c) and fully plug pole(b) of Cable P090D-7909 into the battery port(a) of B230 or B300 battery pack.(b-a)
- Step 3: Push the switch(d) forward to lock the connection.
- Step 4: Plug the pole(e) into the 7090 Input Port(f) of power station.(e-f)
- Step 5: Long Press the power button of B230 or B300 over 5 seconds, and release after the LED indicator flashes.
- Step 6: Long press the power button of your power station to finish the connection.

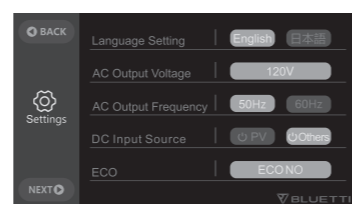
HOW TO USE P090D-XT90



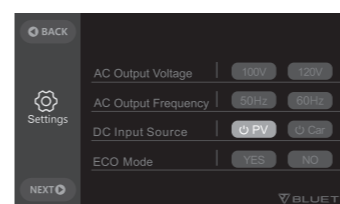
Compatible Model: AC200/P, AC200MAX, EB200/P, PS200A



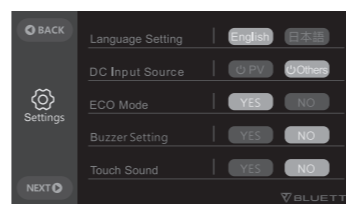
- Step 1: Long press the power button of B230 or B300 in 2 seconds to TURN IT OFF.
- Step 2: Press the switch(c) and fully plug pole(b) of Cable P090D-XT90 into the battery port(a) of B230 or B300 battery pack.(b-a)
- Step 3: Push the switch(d) forward to lock the connection.
- Step 4: Connect Cable No.1 with Cable No.2.(e-f)
- Step 5: Plug the pole(g) into the PV Input Port(h) of power station.(g-h)
- Step 6: Long Press the power button of B230 or B300 over 5 seconds, and release after the LED indicator flashes.
- Step 7: Long press the power button of your power station to turn it ON.
- Step 8: Tap "Settings" on homepage to set the xx Input Source to "PV" (for AC200/P, EB200) or "Others" (for PS200A, AC200MAX) to finish the connection.



AC200MAX



AC200P



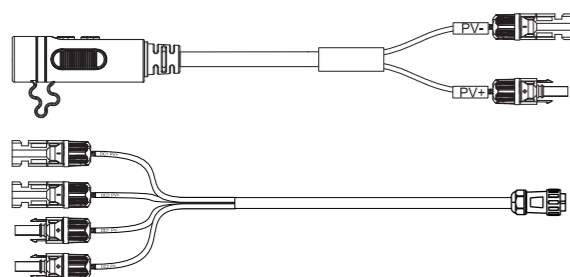
PS200A



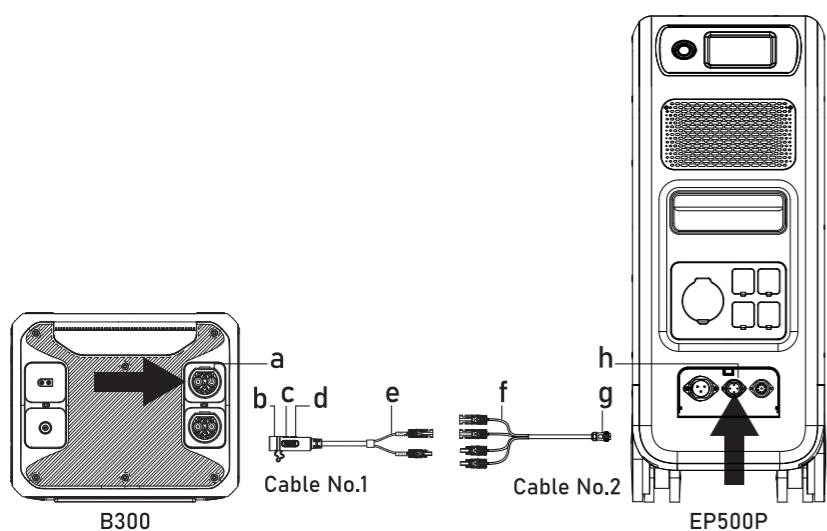
USER MANUAL

Please read this manual before use and follow its guidance. Keep this manual for future reference.

HOW TO USE P090D-MC4

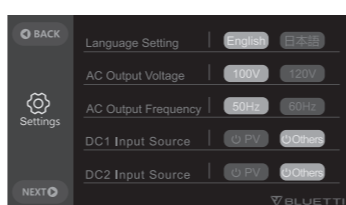


Compatible Model: EP500Pro, AC300



- Step 1: Long press the power button of B300 in 2 seconds to TURN IT OFF.
- Step 2: Press the switch(c) and fully plug pole(b) of Cable P090D-MC4 into the battery port(a) of B300 battery pack.(b-a)
- Step 3: Push the switch(d) forward to lock the connection.
- Step 4: Connect Cable No.1 with Cable No.2.(e-f)
- Step 5: Plug the pole(g) into the PV Input Port(h) of power station.(g-h)
- Step 6: Long Press the power button B300 over 5 seconds, and release after the LED indicator flashes.

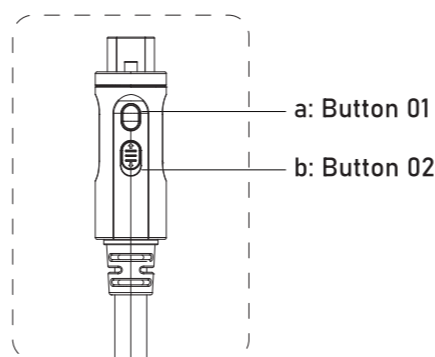
- Step 7: Long press the power button of your power station to turn it ON.
- Step 8: Tap "Settings" on homepage to set the DC Input Source to "Others" to finish the connection.



EP500Pro

HOW TO QUIT THE CONNECTION

- Method 1: Long press the power button of B230 or B300 in 2 seconds to TURN IT OFF.
- Method 2: Push back the Switch(A) of the connected cable, press the Switch(B) and pull the cable out when the battery indicator of B230 or B300 stops flashing.



**EU REP**  
 Company: POWEROAK GmbH  
 Address: Lindwurmstr. 114, 80337 München Germany  
 Mail: logi@bluetti.de

**UK REP**  
 Company: POWEROAK ENERGY UK CO.,LTD  
 Address: Suite 108 Chase Business Center 39-41 Chase Side  
 London United Kingdom N14 5BP  
 Mail: poweroak.eu@bluetti.com