



# AGM CONCEPT GOLF CART BATTERY

Model:DTA1285(12V85AH)

## Specification

Nominal Voltage		12V
Rated Capacity (25°C)	20 Hour Rate (4.25A to 10.50V)	85.0Ah
	10 Hour Rate (8.0 A to 10.50V)	80.0Ah
	5 Hour Rate (14.6A to 10.50V)	73.0Ah
Reserve Capacity	@25A	155 Minutes
	@75A	42 Minutes
Dimensions	Length	260.0 mm(10.24inches)
	Width	168.0 mm(6.61 inches)
	Height	208.0 mm(8.19 inches)
	Total Height	214.0 mm(8.43 inches)
Weight		23.1kg(50.9lbs)



## Characteristics

Capacity Affected by Temperature (20 HR)			Self Discharge @ 25°C(77°F)	Max. Discharge Current@ 25°C(77°F)	Charging @ 25°C(77°F) (Constant Voltage)		Internal Resistance @ 25°C(77°F)	Container Material
0°C (32°F)	25°C (77°F)	40°C (104°F)			Cycle	Float		
85%	100%	102%	<3% of capacity per month	850A(5S)	14.4~14.7V	13.6~13.8V	4.9 mΩ	ABS

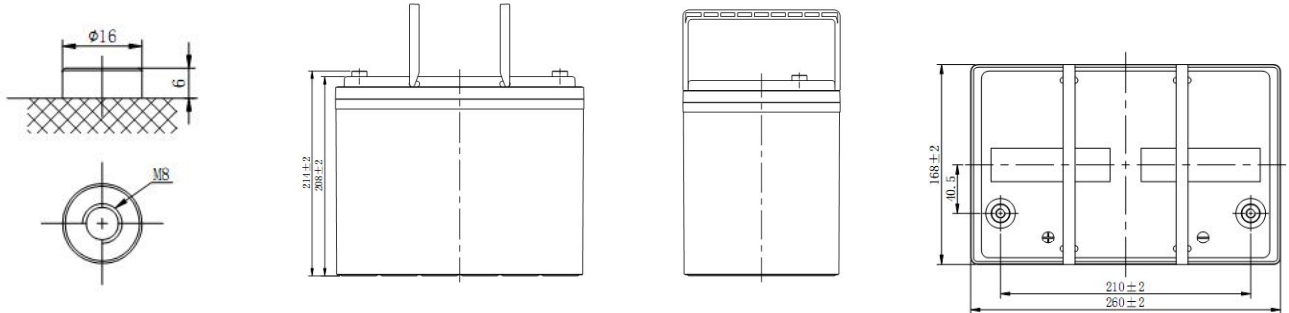
## Typical Applications

- Golf cart
- Electric vehicle
- Solar
- Wheelchair
- Electric sightseeing car
- Electric scooter
- Electric forklift
- Scraper
- Marine
- Portable Medical device

# Battery Structure and Size

## T6-A Terminal

Unit: mm

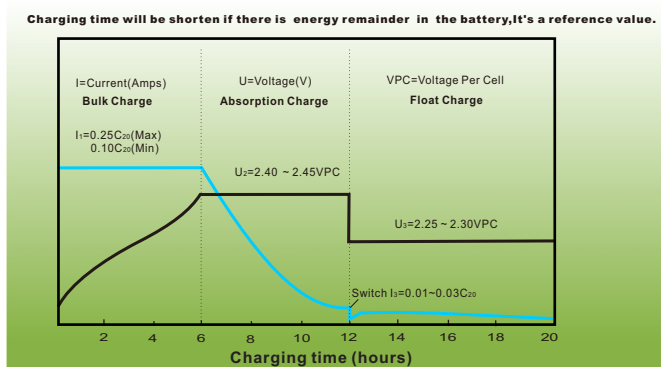


## Key features & Benefits

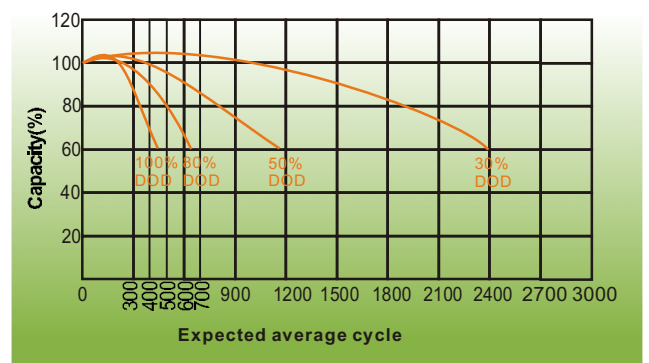
- Maintenance-free sealed construction, spill proof-safe and reliable.
- Strength-enhanced ABS container and compressed plate groups-better vibration and impact resistant.
- Special Lead-Calcium grid design-better corrosion resistant, deep discharge performance, higher capacity and longer cycle life.
- High porosity AGM separator-high oxygen recombination rate to ensure minimum gassing.
- Brass insert terminals-superior conductivity and high rate discharge performance.
- Low internal resistance-high charge acceptance and quick recharge.
- Low self discharge-longer shelf life than conventional batteries.

## Performance Characteristics

### Charging characteristic (25°C, 77°F)



### Cycle life in relation to depth of discharge



## LEOCH INTERNATIONAL TECHNOLOGY LIMITED

### China sales office:

Add: 5th Floor, Xinbaohui Bldg., Nanshan Blvd.,  
Nanshan, Shenzhen, China. 518052  
Tel: +86 755-86036060 (100 lines)  
Fax: +86-755-26067269  
E-mail: export@leoch.com  
Http://www.leoch.com

### North America sales office:

Add: 19751 Descartes, Unit A,  
Foothill Ranch, CA 92610, USA  
Tel: 949-588-5853  
Fax: 949-588-5966  
E-mail: sales@leoch.us  
Http://www.leoch.us

### Europe sales office:

Add: 9B Wheatstone Park, Waterwells  
Business Park, Gloucester, GL2 2AQ. UK.  
Tel: +44(0) 01452 729428  
Fax: +44 (0)1452-690125  
E-mail: Sales.Europe@leoch.com

### HongKong sales office

Add: Unit C, 33/F, TML Tower,  
No.3 Hoi Shing Road, Tsuen Wan, N.T.  
Tel: +852 3578 6666  
Fax: +852 2117 0016  
Email: sales.hk@leoch.com

### Singapore sales office

Add: NO.1 Tech Park Crescent,  
Singapore 638131  
Fax: +65 6863 6078  
Fax: +65 6863 6079  
Email: sales.sg@leoch.com