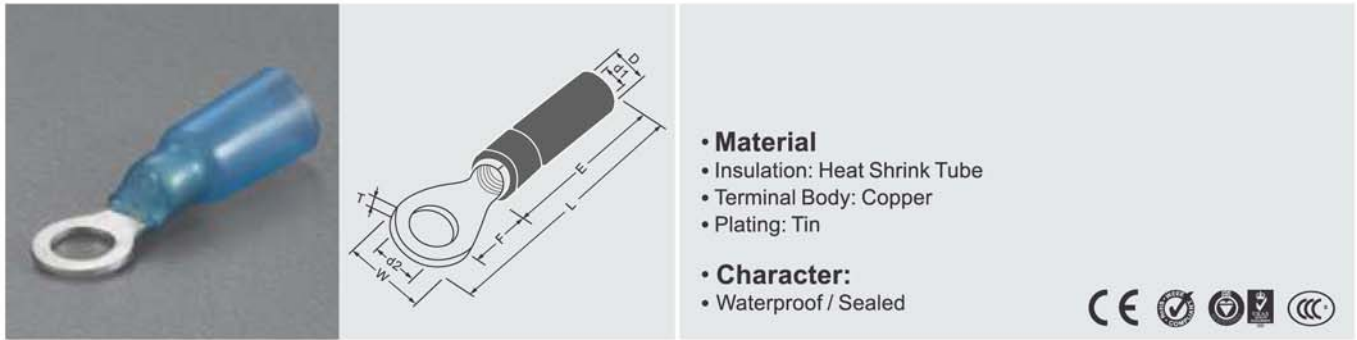


HEAT SHRINK TERMINALS

Heat Shrink Ring Terminals



Heat Shrink Ring Terminals

WIRE RANGE mm ² (A.W.G.)	TAB SIZE		ITEM NO .	DIMENSION mm(inch)					COLOUR
	Metric (mm)	American (inch)		d2	W	L	E	d1	
0.5-1.5 (22-16)	4	#8	HWT37	4.3(.169)	8.0(.315)	28.5	19.0	1.7(.067)	RED
	5	#10	HWT38	5.3(.209)					
	6	1/4 "	HWT39	6.4(.252)	11.6(.457)	34.7			
1.5-2.5 (16-14)	4	#8	HWT43	4.3(.169)	8.5(.335)	29.8	19.0	2.3(.091)	BLUE
	5	#10	HWT44	5.3(.209)	9.5(.374)	29.8			
	6	1/4 "	HWT45	6.4(.252)	12.0(.472)	34.6			
	8	5/16 "	HWT46	8.4(.331)	12.0(.472)	34.6			
4-6 (12-10)	4	#8	HWT49	4.3(.169)	9.5(.374)	33.6	24.0	3.5	YELLOW
	5	#10	HWT50	5.3(.209)					
	6	1/4 "	HWT51	6.4(.252)	12.0(.472)	36.3			
	8	5/16 "	HWT52	8.4(.331)	15.0(.591)	45.4			
	10	3/8 "	HWT53	10.5(.413)					