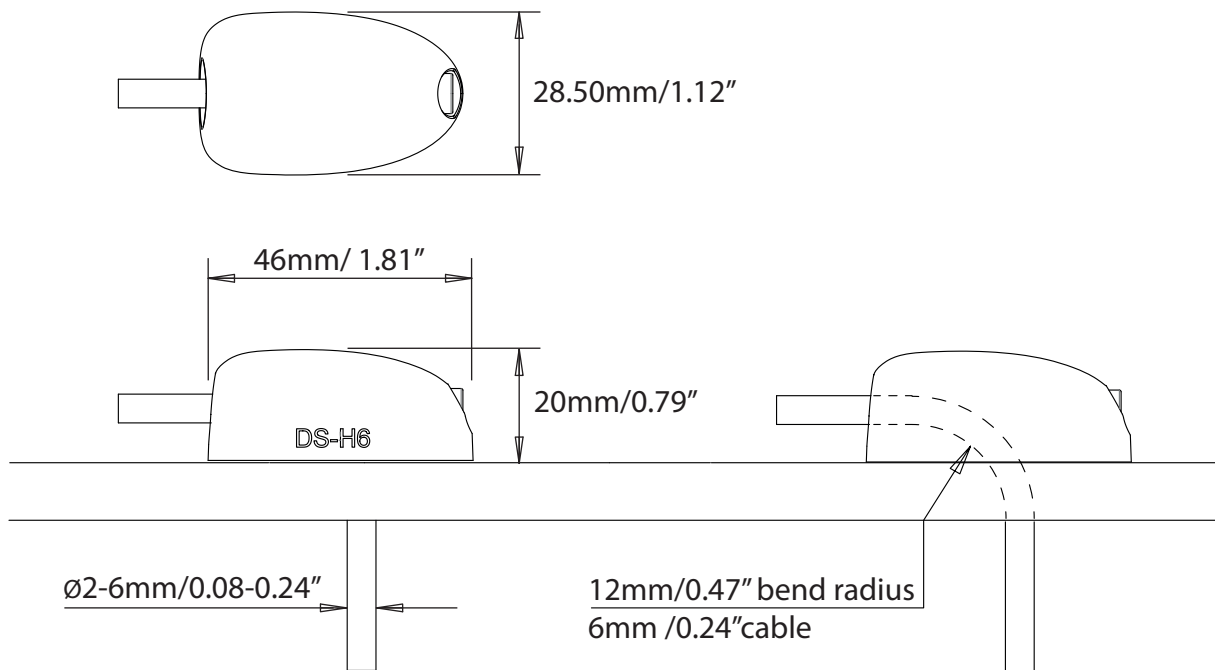
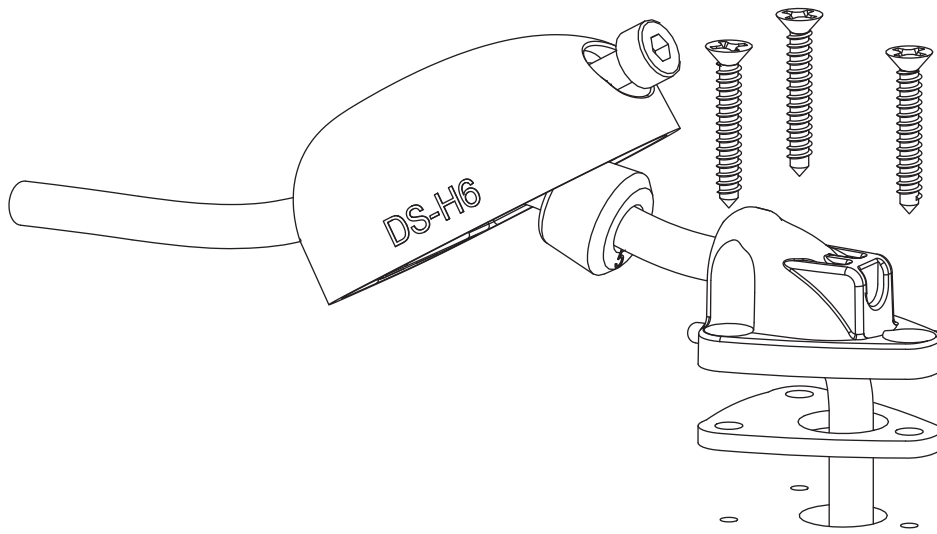


DS-H6 Horizontal Deck Seal

For help & information
 email: sales@scanstrut.com
 tel: +44 (0) 1392 531280



Pre-drilled and blank bungs included in the package

	2/0.08 mm / inches	3/0.12 mm / inches	4/0.16 mm / inches	5/0.20 mm / inches	6/0.24 mm / inches	7/0.28 mm / inches	8/0.31 mm / inches	9/0.35 mm / inches	10/0.39 mm / inches	11/0.43 mm / inches	12/0.46 mm / inches	13/0.51 mm / inches	Blank bung for self drill
DS-H6	✓	✓	✓	✓	✓								
DS-H10					✓	✓	✓	✓	✓				✓
DS16		✓	✓			✓							✓
DS21A			✓	✓		✓							✓
DS21B								✓		✓		✓	✓
DS30								✓		✓		✓	✓
DS40											✓		✓

Please note: ✓ = one bung