

BANKSMAN BM3



Reg 23 approved for pre-registration installation



956 lumens covering over 20m²



Solid aluminium base



Multi-voltage (10-32V)



Waterproof to IP67



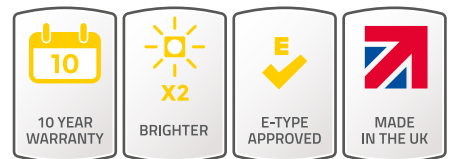
E-type approved



TECHNICAL SPECS OVERLEAF 
APRIL 2017



DESIGNED FOR MULTI-SECTOR APPLICATIONS



BANKSMAN BM3

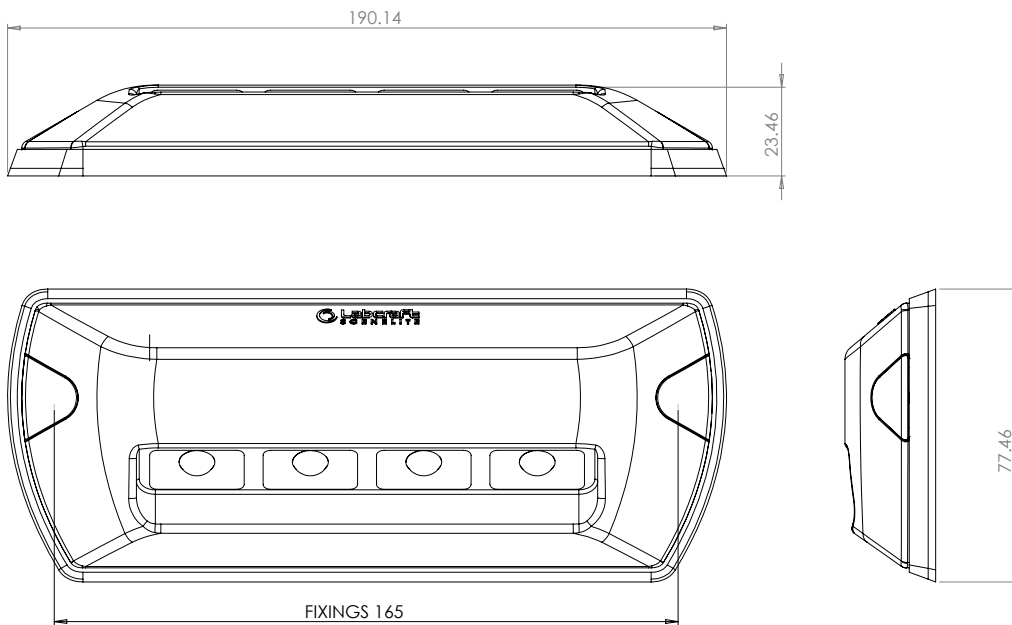
Reg 23 approved - The Banksman BM3 is the first manoeuvring light to be launched in Europe to enable OEMs, Operators and Fleets to meet Regulation 48 directives for lights installed pre-vehicle registration.

956 lumens - Long life, high intensity Cree LEDs produce a clean white light generating 956 lumens and a light spread of over 20m², creating a safer working environment.

Solid aluminium base - This gives a robust product and ensures the LEDs run as cool as possible for longer life.

Multi-voltage (10-32V) - Engineered to suit a broad range of vehicles and voltages, the circuit can withstand changes in voltage and will provide consistent light output.

Waterproof to IP67 - The tough outer enclosure and potting over more sensitive components provides protection against severe weather conditions and pressure washing.



SPECIFICATION

ALL DIMENSIONS HAVE A TOLERANCE OF +/-1mm

		BM3_4-2MV (12V)	BM3_4-2MV (24V)
Voltage Range	VDC	10-32V	10-32V
Average Current	A	0.68	0.34
Light Output	lm	956	956
Watts	W	8.2W	8.2W
Weight	kg	0.2kg	0.2kg
Temp. Range	°C	-30 to +40	-30 to +40
IP Rating	IP	IP67	IP67

E & OE

