

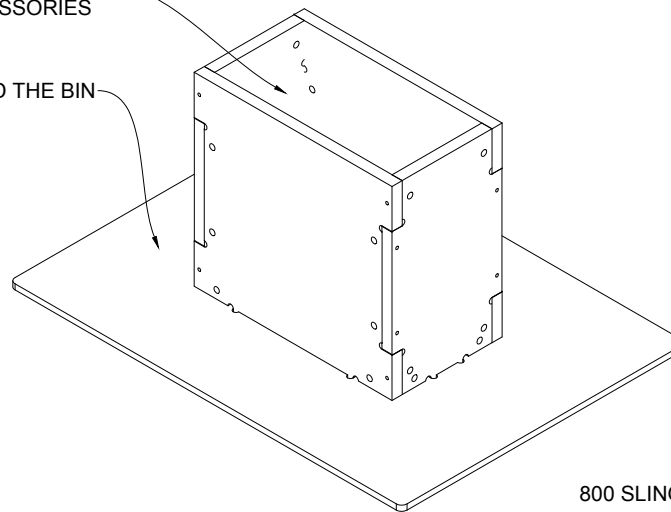
VERSION HISTORY	
#	DATE
5.01	08-SEP-16
	NOTES
	ORIGINAL



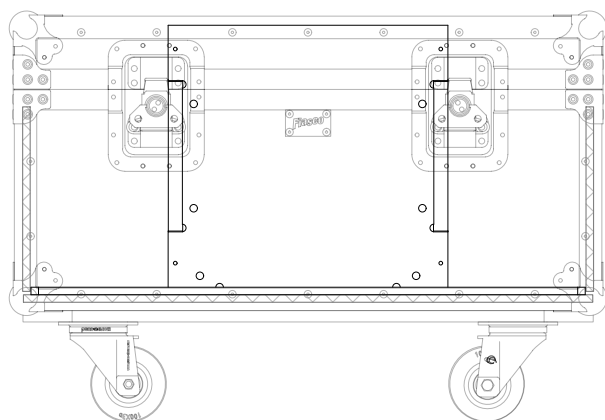
THIRD ANGLE PROJECTION

BIN FOR SHACKLES, HOOKS & ACCESSORIES

SLINGS COIL AROUND THE BIN



800 SLING INSERT



800 SLING INSERT INSTALLED IN 800 SHORT CASE

TITLE
800 SLING INSERT

SHEET

OVERVIEW

FIASCOCASES.COM

DATE
08-SEP-16

DESIGNED
MARTIN KAUBITZSCH

PROJECT MANAGER
JOE BRADFORD

SCALE | 1:10
PAPER | A4
FILE | SLING INSERT A4.dwg
PLOT | 03/11/2020 01:30 PM
SHEET | 1 OF 1

VERSION

