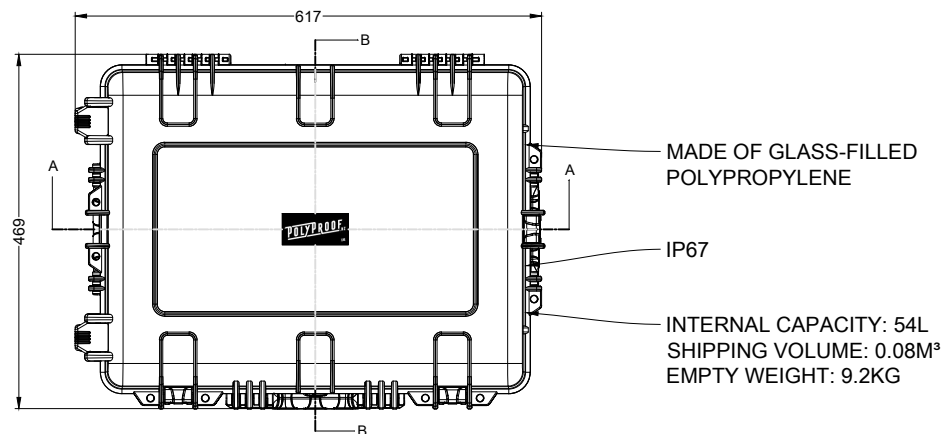


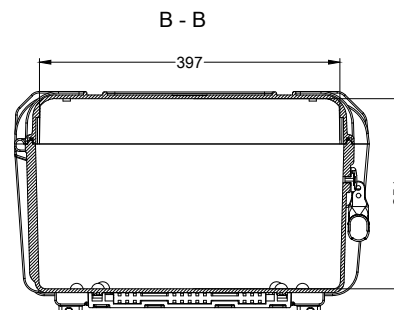
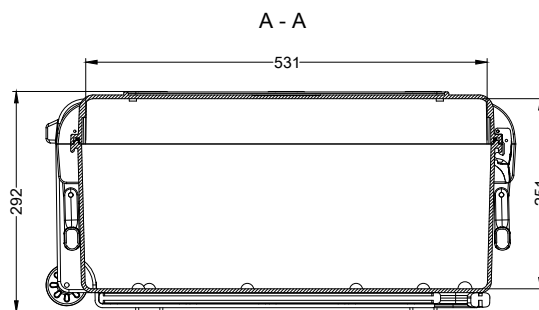
VERSION HISTORY	
#	DATE
5.00	20-SEP-18
	NOTES
	ORIGINAL



THIRD ANGLE PROJECTION



↑ EXTERNAL VIEW ↑
↓ INTERNAL VIEW ↓



TITLE
POLYPROOF 54L

SHEET

OVERVIEW

FIASCO.CO.NZ

DATE
20-SEP-18

DESIGNED
ASH ALGIE

PROJECT MANAGER
JOE BRADFORD

SCALE | 1:10
PAPER | A4
FILE | POLYPROOF 54L.dwg
PLOT | 20/09/2018 04:23 PM
SHEET | 1 OF 2

VERSION

5.00