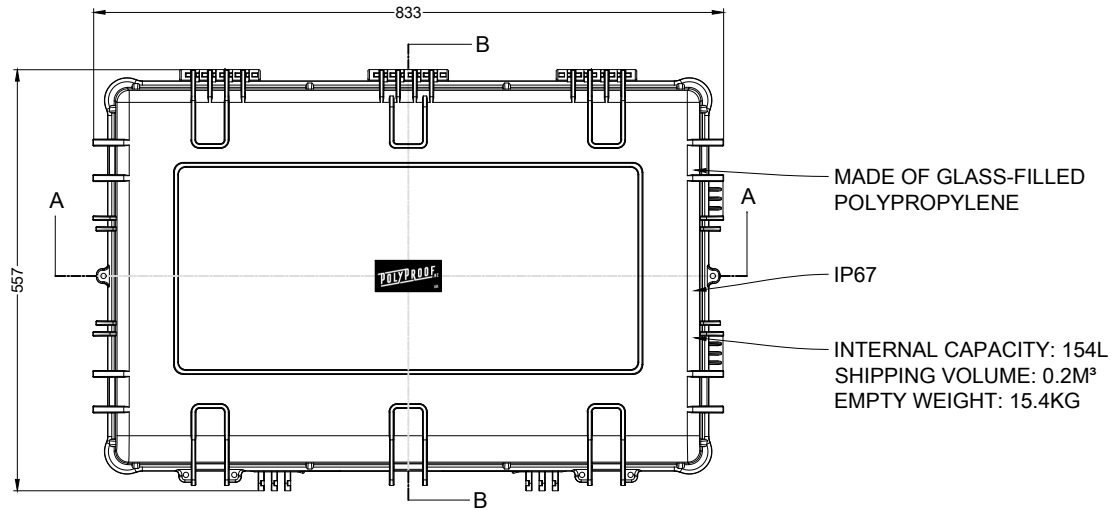
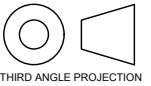
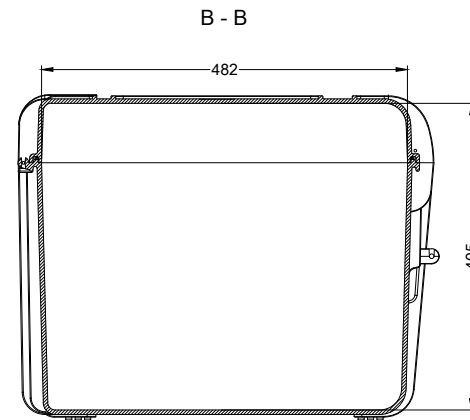
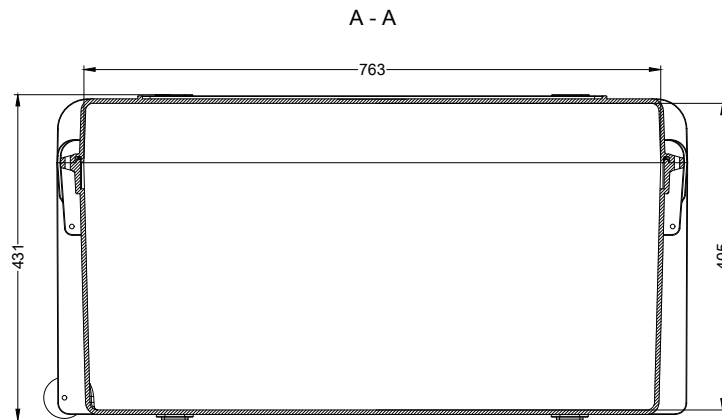


VERSION HISTORY	NOTES
#	DATE
5.00	04-OCT-18
	ORIGINAL



↑ EXTERNAL VIEW ↑
↓ INTERNAL VIEW ↓



TITLE
POLYPROOF 154L

SHEET
OVERVIEW

FIASCO.CO.NZ

DATE
04-OCT-18

DESIGNED
ASH ALGIE

PROJECT MANAGER
JOE BRADFORD

SCALE | 1:10
PAPER | A4
FILE | POLYPROOF 154L.dwg
PLOT | 20/09/2023 04:33 PM
SHEET | 1 OF 2

VERSION

