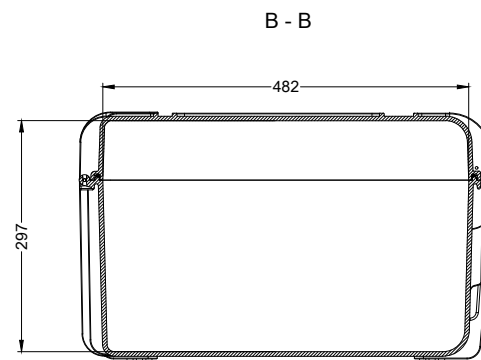
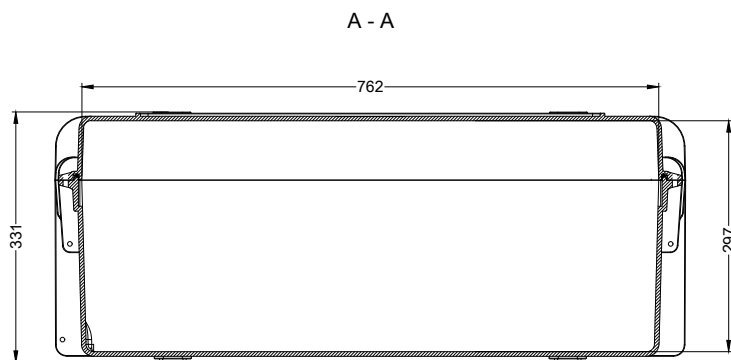


↑ EXTERNAL VIEW ↑
↓ INTERNAL VIEW ↓



VERSION HISTORY	
#	DATE
5.00	25-JUL-19
	NOTES
	ORIGINAL



TITLE
POLYPROOF 113L

SHEET
OVERVIEW

FIASCO.CO.NZ

DATE
25-JUL-19

DESIGNED
ASH ALGIE

PROJECT MANAGER
JOE BRADFORD

SCALE | 1:10
PAPER | A4
FILE | POLYPROOF 113L.dwg
PLOT | 20/09/2023 04:31 PM
SHEET | 1 OF 2

VERSION



INCLUDING PICK & PLUCK FOAM
sales@fiasco.co.nz // +64-21-2400-880