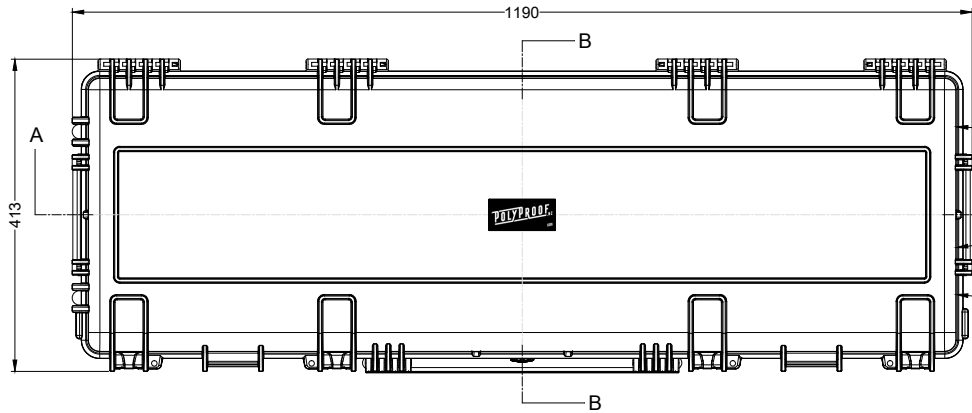
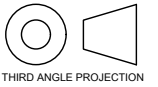


VERSION HISTORY	NOTES
#	DATE
5.00	04-OCT-18
	ORIGINAL



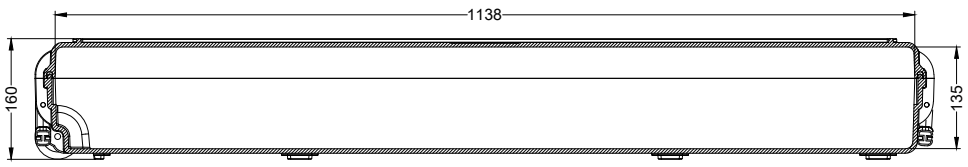
MADE OF GLASS-FILLED POLYPROPYLENE

IP67

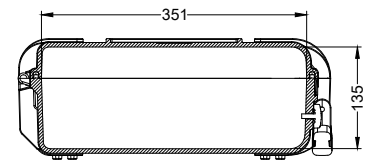
INTERNAL CAPACITY: 53L
SHIPPING VOLUME: 0.077M³
EMPTY WEIGHT: 9.6KG

↑ EXTERNAL VIEW ↑
↓ INTERNAL VIEW ↓

A - A



B - B



TITLE: **POLYPROOF 1138i**
SHEET: **OVERVIEW**
FIASCO.CO.NZ

DATE: **04-OCT-18**
DESIGNED: **ASH ALGIE**
PROJECT MANAGER: **JOE BRADFORD**

SCALE: 1:10
PAPER: A4
FILE: POLYPROOF 1138i.dwg
PLOT: 20/09/2023 04:38 PM
SHEET: 1 OF 2

VERSION



INCLUDING PICK & PLUCK FOAM
sales@fiasco.co.nz // +64-21-2400-880