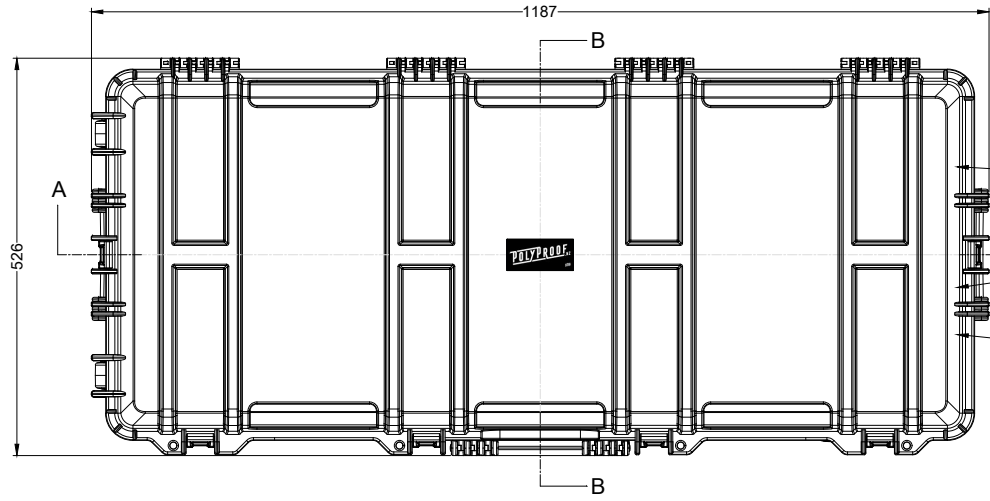
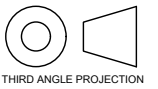


VERSION HISTORY	NOTES
# DATE	
5.00 04-OCT-18	ORIGINAL

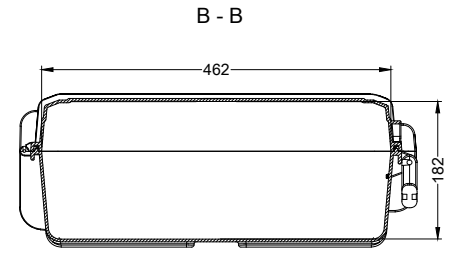
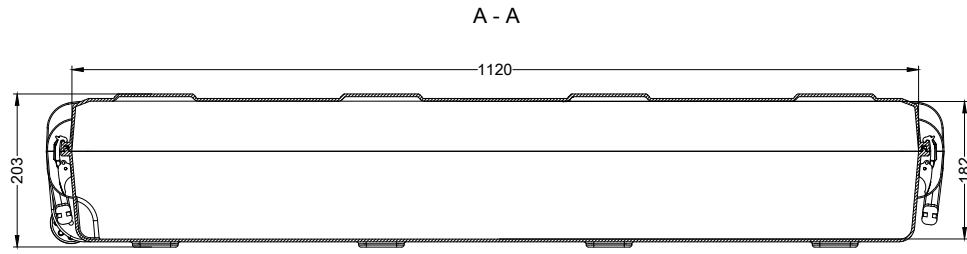


MADE OF GLASS-FILLED
POLYPROPYLENE

IP67

INTERNAL CAPACITY: 94L
SHIPPING VOLUME: 0.13M³
EMPTY WEIGHT: 8.9KG

↑ EXTERNAL VIEW ↑
↓ INTERNAL VIEW ↓



TITLE
POLYPROOF 1120i

SHEET
OVERVIEW

FIASCO.CO.NZ

DATE
04-OCT-18

DESIGNED
ASH ALGIE

PROJECT MANAGER
JOE BRADFORD

SCALE | 1:10
PAPER | A4
FILE | POLYPROOF 1120i.dwg
PLOT | 20/09/2023 04:37 PM
SHEET | 1 OF 2

VERSION

5.00

INCLUDING PICK & PLUCK FOAM
sales@fiasco.co.nz // +64-21-2400-880