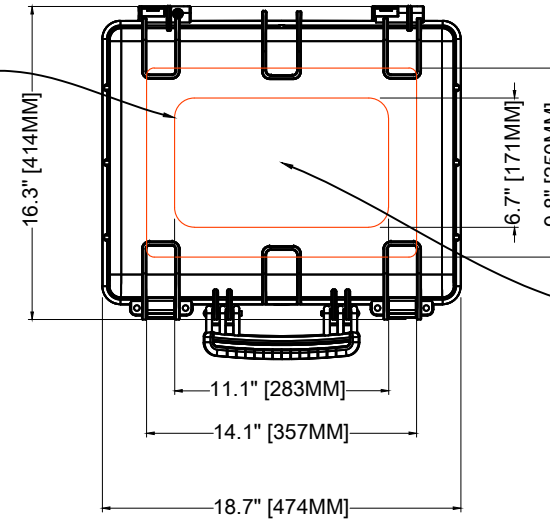


THIS INSERT IS COMPATIBLE IN FOOTPRINTS:  
18LITRE POLY PROOF

FEATURES:

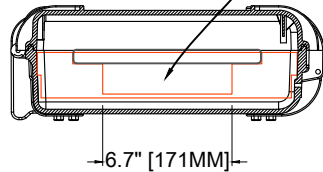
- WATERTIGHT.
- SHOCK PROOF.
- DUSTPROOF.
- COMFORTABLE RUBBER HANDLE.
- AIRPRESSURE EQUALISING VALVE.

CUSTOM CNC MACHINED FOAM TO FIT THE FORM FACTOR OF THE MACBOOK PRO. OTHER LAPTOP TYPES ALSO AVAILABLE.

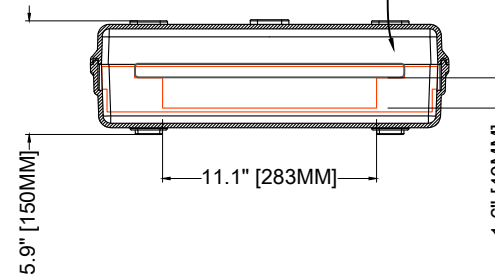


WILL FIT ANY DEVICE THAT IS WITHIN A 356 X 250 MM BOUNDRY

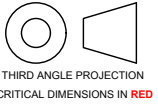
ACCESSORIES POCKET



EGG SHELL FOAM TOP HOLD DOWN



VERSION HISTORY	NOTES
#	DATE
5.01	27/09/23
BROUGHT INTO THE NEW TEMPLATE	



TITLE  
**POLYPROOF 18L INSERT MACBOOK PRO 16**

SHEET  
**PRODUCT SPEC SHEET**

DATE  
**19-OCT-23**

DESIGNED  
**DANIEL JOBLIN**

CUSTOMER PROJECT MANAGER  
**NICK REEVES**

SCALE | 1:10  
PAPER | A4  
FILE | POLYPROOF 18L INSERT MACBOOK  
PLOT | 19/10/2023 12:13 PM  
SHEET | 1 OF 1

VERSION



PHONE: 021 2400 880  
EMAIL: SALES@FIASCO.CO.NZ