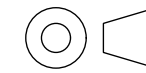


VERSION HISTORY	
#	DATE / NOTES
5.01	DD-MM-YY / NOTES



THIRD ANGLE PROJECTION  
CRITICAL DIMENSIONS IN RED

TITLE  
**FLYRACK DOUBLE 2U V5.01**

SHEET  
**PRODUCT SPEC SHEET**

DATE  
**13-DEC-23**

DESIGNED  
**DANIEL JOBLIN**

CUSTOMER PROJECT MANAGER  
**NICK REEVES**

SCALE | 1:10  
PAPER | A4  
FILE | POLYPROOF 54L INSERT FLYRACK  
PLOT | 07/03/2024 03:12 PM  
SHEET | 1 OF 1

VERSION

5.01

STRONG AND LIGHT  
RESIN IMPREGNATED  
9MM BIRCH PLY

RECESSED BADGE  
FOR SNAG FREE USE

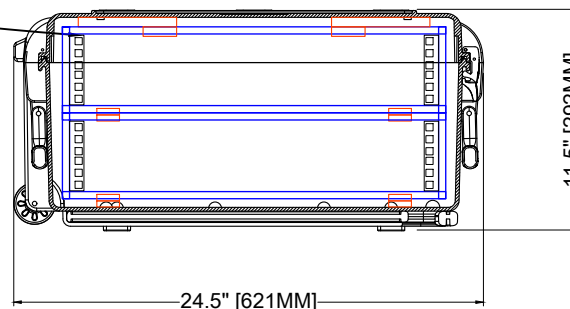
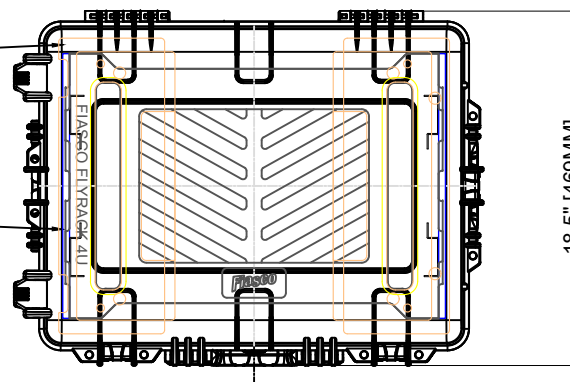
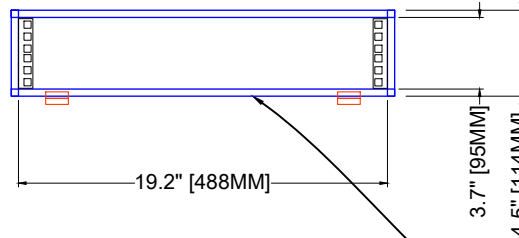
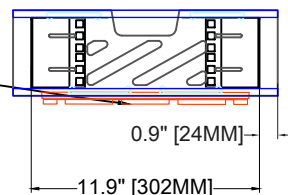
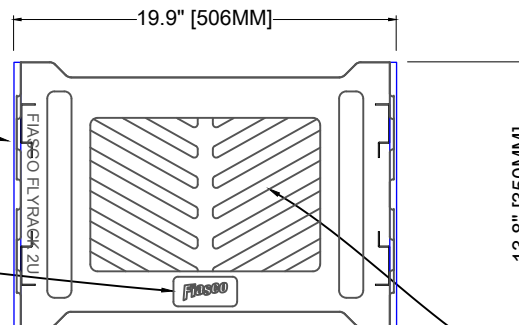
EVA FOAM SOFT  
FEET TO GRIP  
AND ISOLATE  
VIBRATIONS

RACK EARS ADJUSTABLE BY 62MM(302MM -  
240MM). MAX INSERTION DEPTH FOR  
RACKS OR ADJUST TO YOUR PREFERENCE

EVA FOAM BASE  
TO HOLD RACK IN  
PLACE

EVA FOAM FEED DESIGNED TO  
PROVIDE CUSHIONING, TO LOCK  
ON-TOP OF POLY CASE RIDGES AND  
TO STACK ONE FLYRACK ON  
ANOTHER COVERING ALL USE TYPES.

CUSTOM MACHINED  
HOLD DOWN FOAM  
PINS RACK.



LARGE VENTS  
ALLOW AIR FLOW TO  
KEEP COMPONENTS  
COOL AND ALSO  
PROVIDE MANY  
ATTACHMENT  
OPTIONS FOR  
PERFECT CABLE  
ROUTING.

WHEN STACKED  
CABLES WILL PASS  
UP AND DOWN  
WITHIN THE RACK TO  
KEEP CABLES  
INTERNAL TO THE  
STACK.

PHONE: 021 2400 880  
EMAIL: SALES@FIASCO.CO.NZ