

THIS INSERT IS COMPATIBLE IN FOOTPRINTS:
POLYPROOF 84L

STRONG AND LIGHT
RESIN IMPREGNATED
9MM BIRCH PLY

RECESSED BADGE
FOR SNAG FREE USE

RACK EARS ADJUSTABLE BY 62MM(302MM -
240MM). MAX INSERTION DEPTH FOR
RACKS OR ADJUST TO YOUR PREFERENCE

EVA FOAM SOFT
FEET TO GRIP
AND ISOLATE
VIBRATIONS

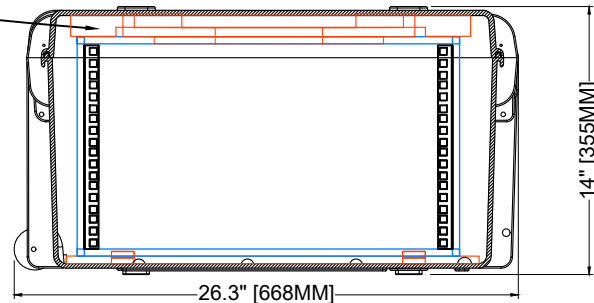
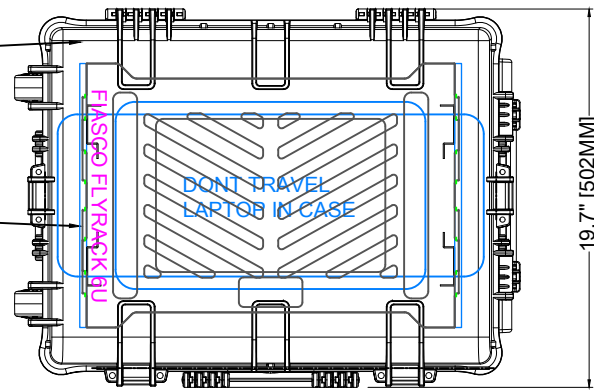
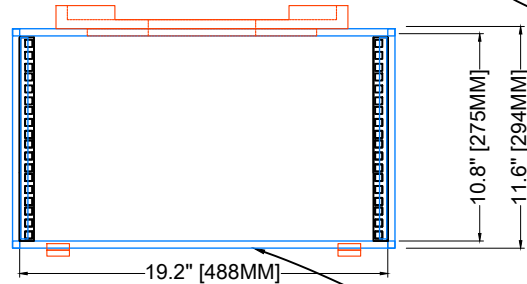
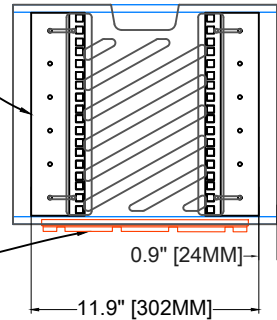
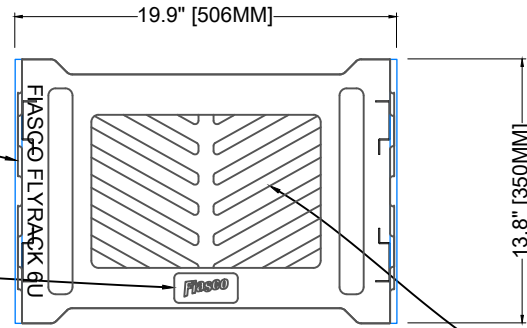
EVA FOAM BASE
TO HOLD RACK IN
PLACE

EVA FOAM FEED DESIGNED TO
PROVIDE CUSHIONING, TO LOCK
ON-TOP OF POLY CASE RIDGES AND
TO STACK ONE FLYRACK ON
ANOTHER COVERING ALL USE TYPES.

CUSTOM MACHINED
HOLD DOWN FOAM
PINS RACK.



WEIGHT EMPTY: 15.3 KG

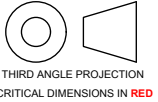


LARGE VENTS
ALLOW AIR FLOW TO
KEEP COMPONENTS
COOL AND ALSO
PROVIDE MANY
ATTACHMENT
OPTIONS FOR
PERFECT CABLE
ROUTING.

WHEN STACKED
CABLES WILL PASS
UP AND DOWN
WITHIN THE RACK TO
KEEP CABLES
INTERNAL TO THE
STACK.

Fiasco
fiascocases.com

VERSION HISTORY	
#	DATE
5.01	DD-MMM-YY
NOTES	



THIRD ANGLE PROJECTION
CRITICAL DIMENSIONS IN RED

TITLE
FLYRACK 6U

SHEET
PRODUCT SPEC SHEET

DATE
23-DEC-23

DESIGNED
DANIEL JOBLIN

CUSTOMER PROJECT MANAGER
NICK REEVES

SCALE | 1:10
PAPER | A4
FILE | POLYPROOF 84L INSERT FLYRACK
PLOT | 07/03/2024 03:16 PM
SHEET | 1 OF 1

VERSION



© FIASCO CASES

PHONE: 021 2400 880
EMAIL: SALES@FIASCO.CO.NZ