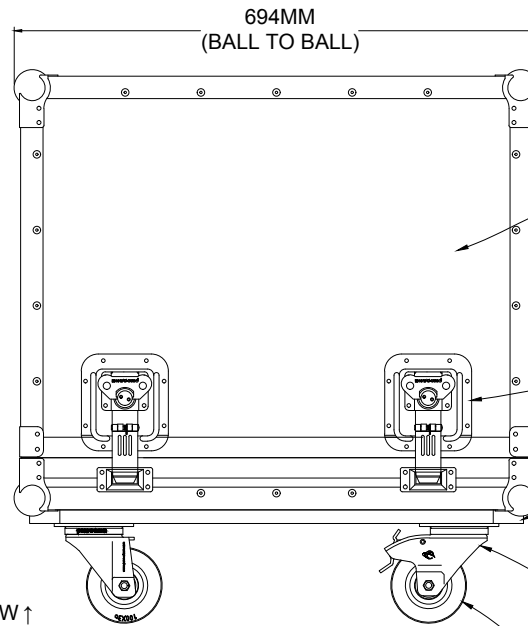
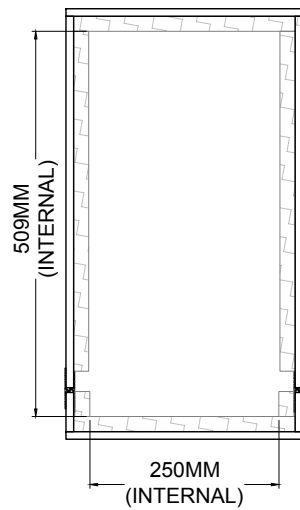


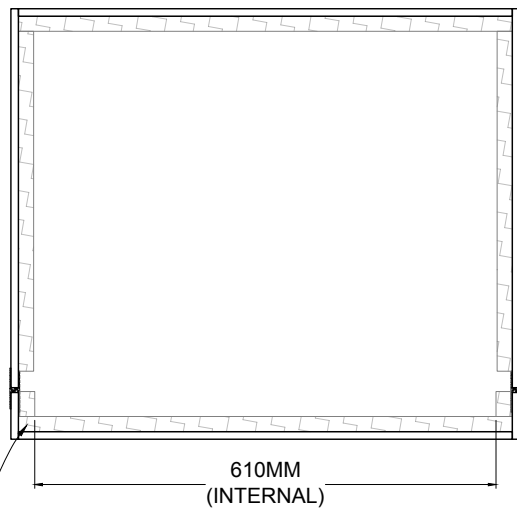
↑ EXTERNAL VIEW ↑
↓ INTERNAL VIEW ↓



- penn-colum EXTRUSION & ZINC PLATED HARDWARE
- ULTRA LIGHTWEIGHT HONEYCOMB STRUCTURED POLYPROPYLENE FLIGHT PANEL
40% LIGHTER THAN PLYWOOD
- FLIP OVER LATCHES MAKE THE LID IDEAL FOR STACKING
- 18MM PLY WHEEL-BOARD WITH FINGER CUT-OUTS FOR LOW LIFTING
- TWO BRAKED WHEELS
- penn-colum 250KG BLUE WHEELS

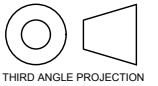


DURABLE SOFT FOAM LINING



LOW PROFILE BASE DOES NOT INTERFERE WITH SPEAKER OUTPUT

VERSION HISTORY	NOTES
#	DATE
5.00	12-JUN-18
	ORIGINAL



TITLE
AMP CASE PC SILENCIO 652S

SHEET
OVERVIEW
FIASCOCASES.COM

DATE
12-JUN-18

DESIGNED
MARTIN KAUBITZSCH

PROJECT MANAGER
JOE BRADFORD

SCALE | 1:10
PAPER | A4
FILE | AMP CASE PC SILENCIO 652S V5
PLOT | 03/10/2019 12:20 PM
SHEET | 1 OF 1

VERSION

