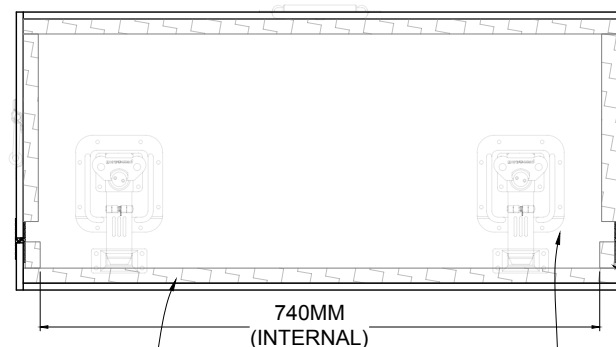
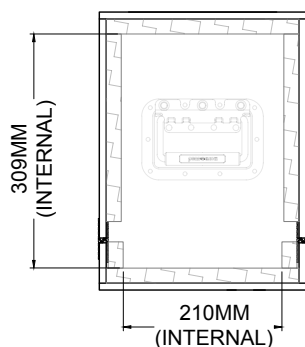


PENNECOLOM EXTRUSION & ZINC PLATED HARDWARE

ULTRA LIGHTWEIGHT HONEYCOMB STRUCTURED POLYPROPYLENE FLIGHT PANEL
40% LIGHTER THAN PLYWOOD

FLIP OVER LATCHES MAKE THE LID IDEAL FOR STACKING

↑ EXTERNAL VIEW ↑
↓ INTERNAL VIEW ↓



LOW PROFILE BASE DOES NOT INTERFERE WITH SPEAKER OUTPUT

DURABLE SOFT FOAM LINING

SHIPPING VOLUME: 0.09M³

VERSION HISTORY	NOTES
#	DATE
5.0	10-MAR-17 ORIGINAL



TITLE
AMP CASE MARSHALL JCM800-900

SHEET
OVERVIEW

FIASCOCASES.COM

DATE
10-MAR-17

DESIGNED
MATT WATERHOUSE

PROJECT MANAGER
JOE BRADFORD

SCALE | 1:10
PAPER | A4
FILE | AMP CASE MARSHALL JCM800-900.dwg
PLOT | 03/10/2019 12:24 PM
SHEET | 1 OF 1

VERSION

5.0

© FIASCO CASES