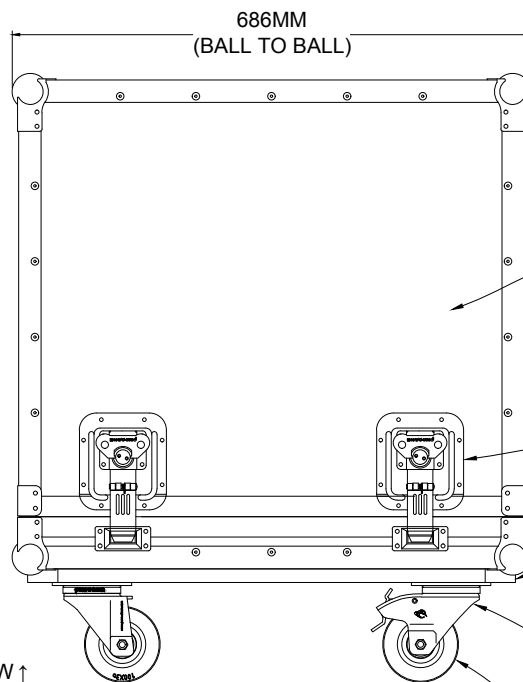


↑ EXTERNAL VIEW ↑
↓ INTERNAL VIEW ↓



penn-CALCOM EXTRUSION &
ZINC PLATED HARDWARE

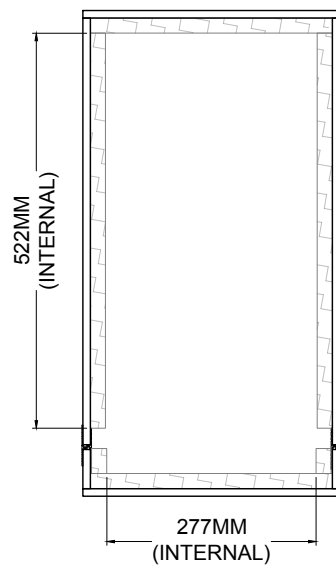
ULTRA LIGHTWEIGHT
HONEYCOMB STRUCTURED
POLYPROPYLENE FLIGHT PANEL
40% LIGHTER THAN PLYWOOD

FLIP OVER LATCHES MAKE
THE LID IDEAL FOR STACKING

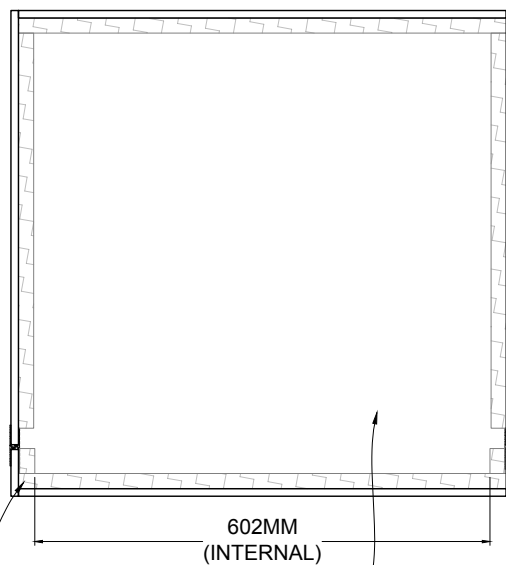
18MM PLY WHEEL-BOARD
WITH FINGER CUT-OUTS
FOR LOW LIFTING

TWO BRAKED WHEELS

penn-CALCOM
250KG BLUE WHEELS



DURABLE SOFT FOAM LINING



LOW PROFILE BASE DOES
NOT INTERFERE WITH
SPEAKER OUTPUT

INTERNAL CAPACITY: 87L
SHIPPING VOLUME: 0.20M³
WEIGHT: 21.7KG

VERSION HISTORY	NOTES
#	DATE
5.00	01-MAY-18
	ORIGINAL



THIRD ANGLE PROJECTION

TITLE
AMP CASE FENDER HOT ROD
DEVILLE III 410
SHEET
OVERVIEW
FIASCOCASES.COM

DATE
01-MAY-18

DESIGNED
MARTIN KAUBITZSCH

PROJECT MANAGER
JOE BRADFORD

SCALE | 1:10
PAPER | A4
FILE | AMP CASE FENDER HOT ROD DE
PLOT | 03/10/2019 12: 21 PM
SHEET | 1 OF 1

VERSION



© FIASCO CASES