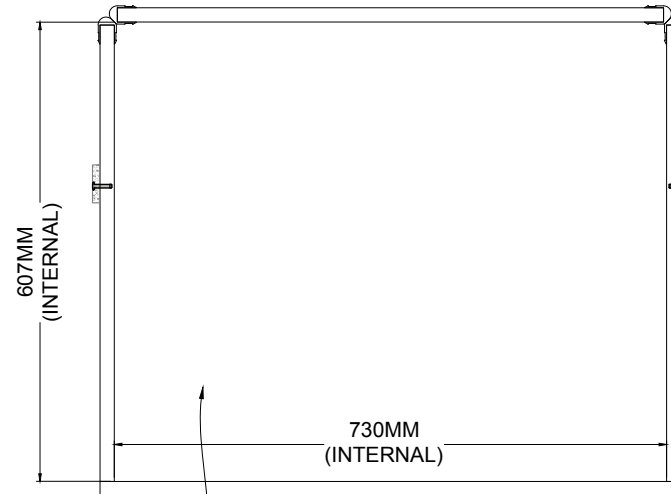
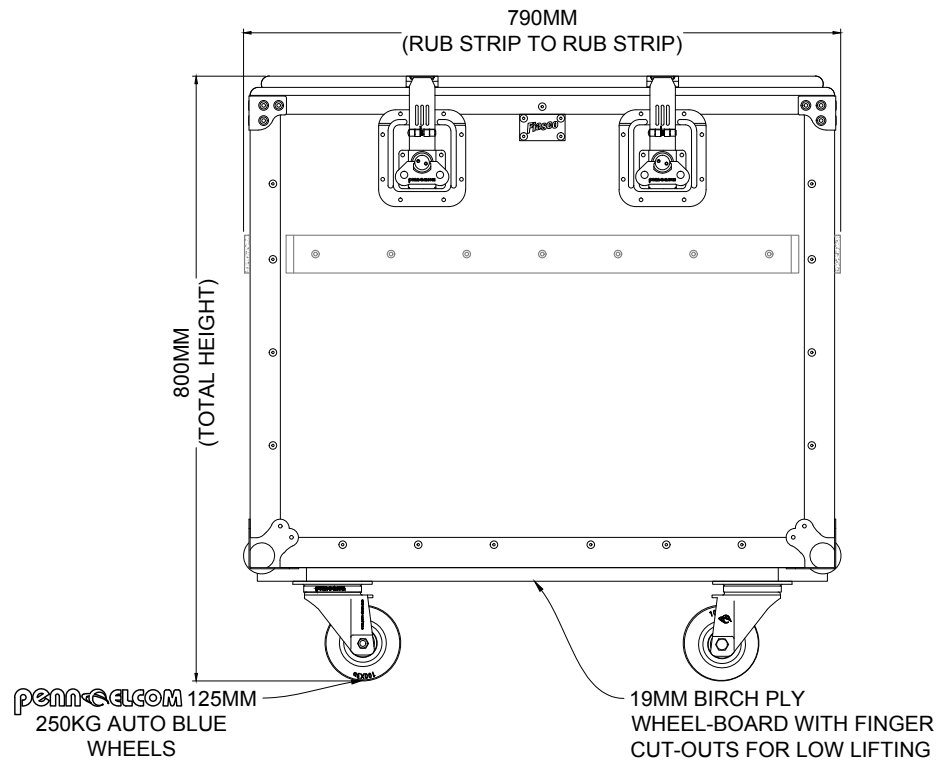
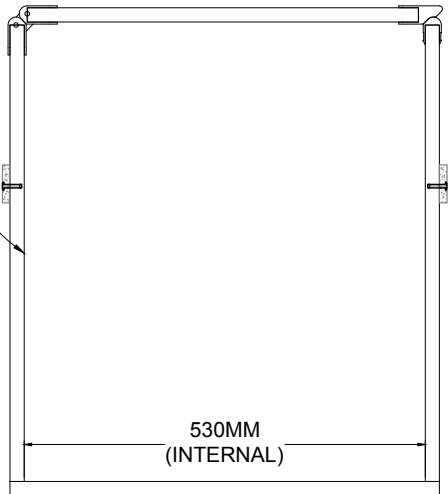


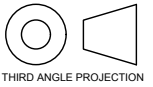
↑ EXTERNAL VIEW ↑
↓ INTERNAL VIEW ↓

BLACK RESIN IMPREGNATED SMOOTH LINING



INTERNAL CAPACITY: 235L
SHIPPING VOLUME: 0.37M³
WEIGHT: 53KGS

#	DATE	NOTES
5.00	20-JUN-18	ORIGINAL
5.02	03-JUN-21	LATCHES & HINGES MOVED, CABLE GUIDE ADDED
5.03	29-NOV-21	NO CABLE GUIDE VERSION



TITLE
800 CADILLAC CASE

SHEET
OVERVIEW

FIASCOCASES.COM

DATE
26-JUL-22

DESIGNED
ASH ALGIE

PROJECT MANAGER
BRETT WALLACE

SCALE | 1:10
PAPER | A4
FILE | 800 CADILLAC CASE V5.03.dwg
PLOT | 28/07/2022 04 : 10 PM
SHEET | 1 OF 1

VERSION
5.03