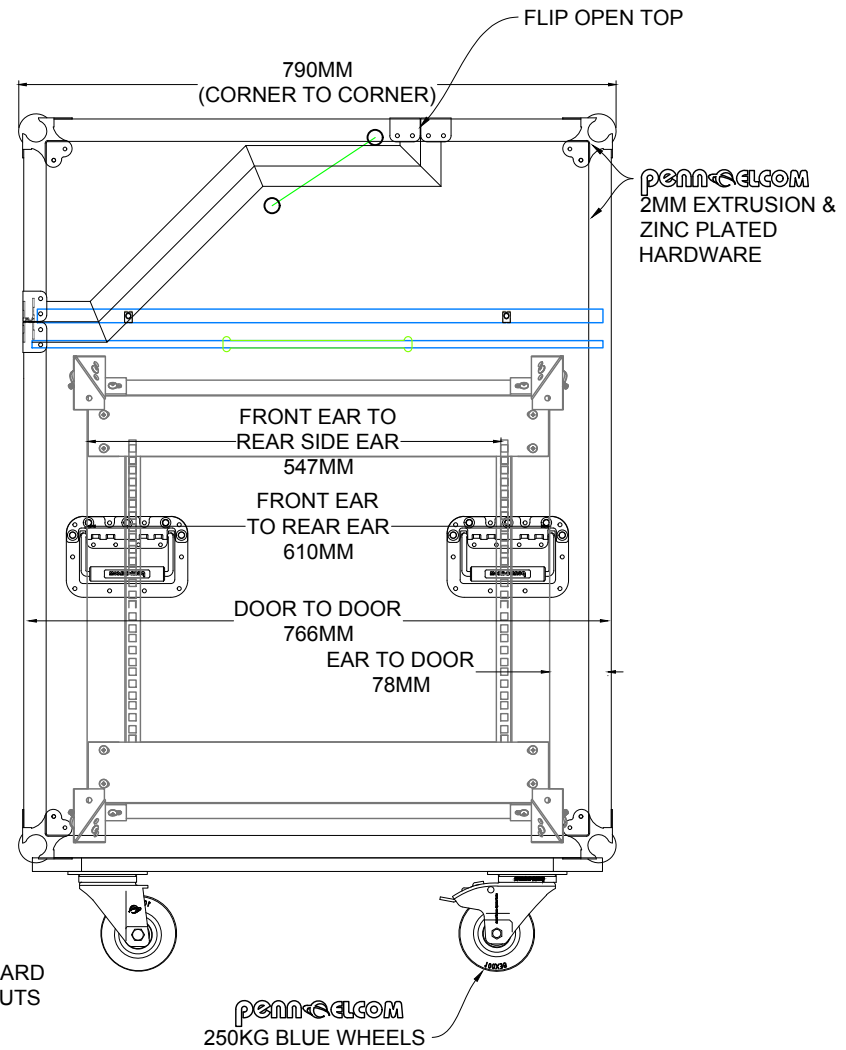
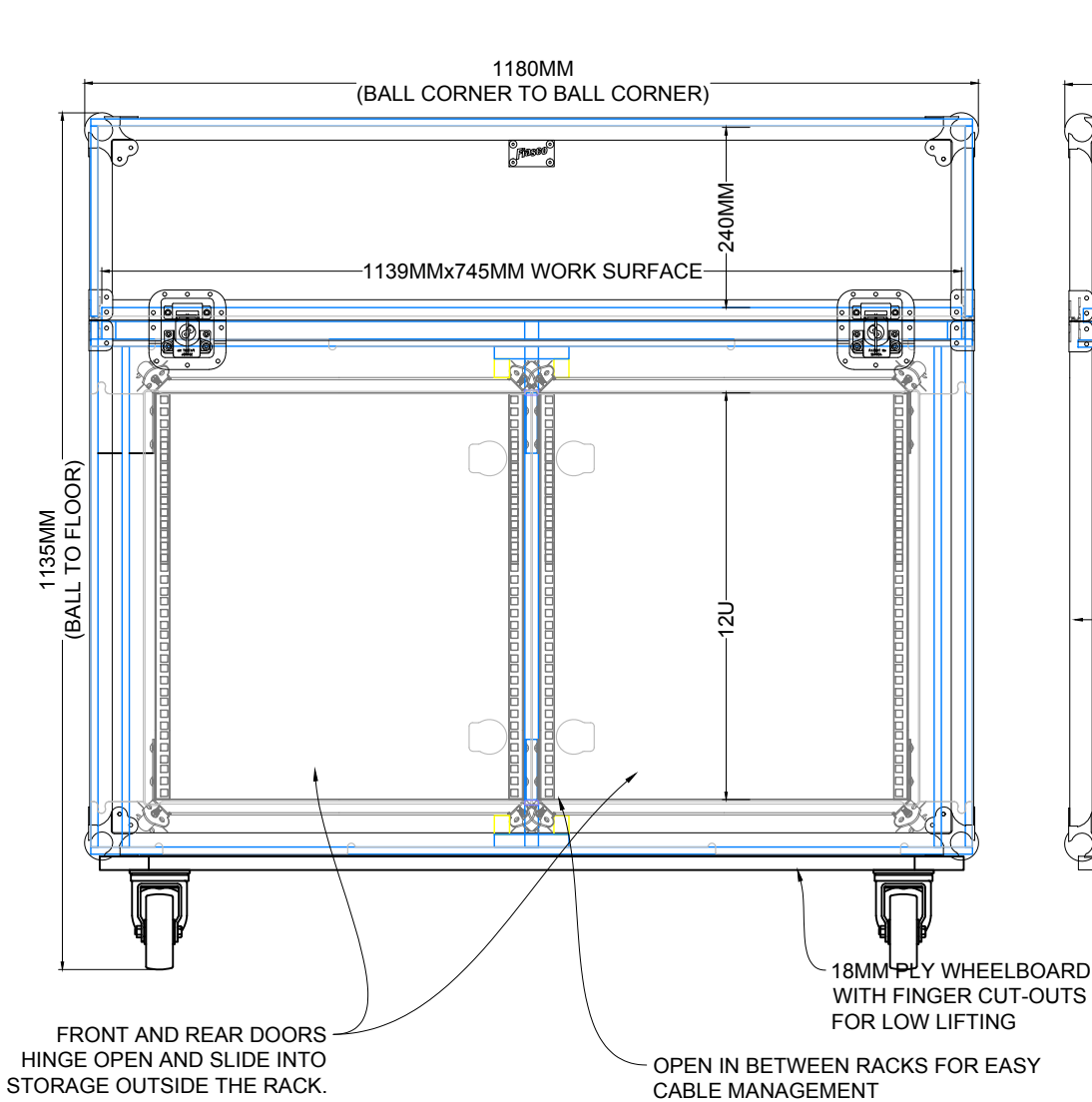


FIASCO CASES ARE OPTIMIZED FOR TRUCK PACKOLOGY



VERSION HISTORY	NOTES
#	DATE
5.76	10-AUG-22
	ORIGINAL

THIRD ANGLE PROJECTION

TITLE

1200 DOUBLE WIDE SLAM RACK

FLIP TOP 12U

SHEET

OVERVIEW

FIASCO.CO.NZ

DATE

10-AUG-22

DESIGNED

ASH ALGIE

PROJECT MANAGER

BRETT WALLACE

SCALE | 1:12

PAPER | A4

FILE | 1200 DOUBLE WIDE SLAM RACK

PLOT | TOP 12U V5.76.dwg

SHEET | 10/08/2022 03 : 38 PM

OF

VERSION

