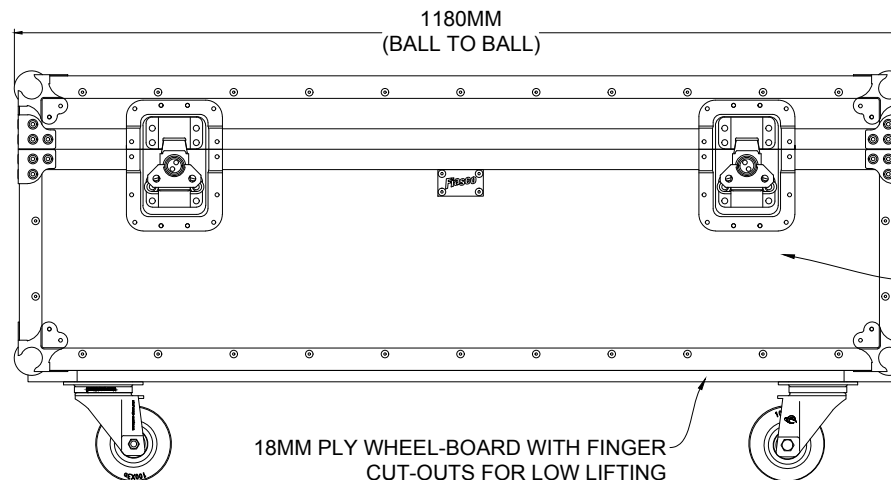
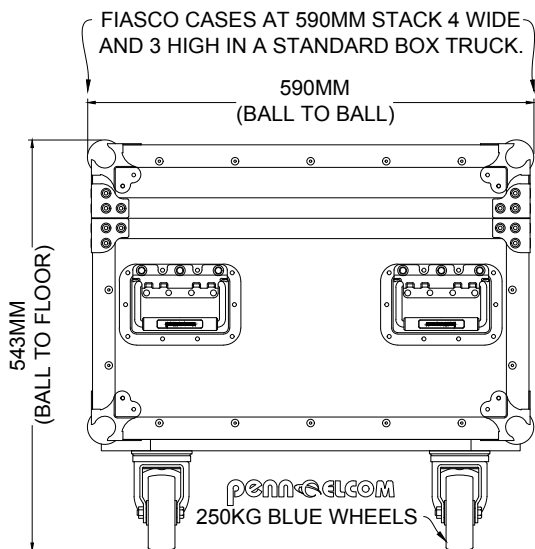


| VERSION HISTORY | NOTES      |
|-----------------|------------|
| #               | DATE       |
| 5.00            | 13-MAY-16  |
| 5.01            | 17-MAY-16  |
|                 | 680 SCHEME |

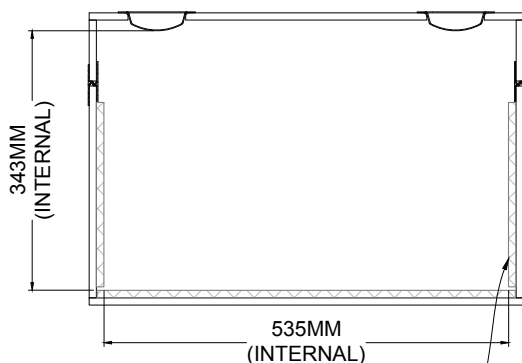


THIRD ANGLE PROJECTION

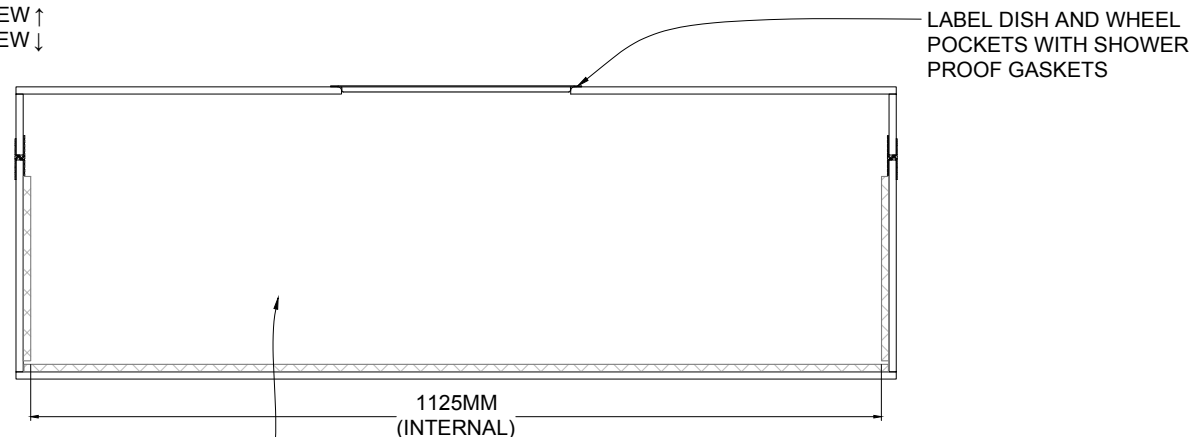


3 SHORT CASES STACK TO THE SAME HEIGHT AS 2 REGULAR CASES

↑ EXTERNAL VIEW ↑  
↓ INTERNAL VIEW ↓



DURABLE HARD FOAM LINING SLOTTED TO TAKE DIVIDERS AND FIASCO INSERTS



INTERNAL CAPACITY: 206L  
SHIPPING VOLUME: 0.38M³  
WEIGHT: 43KG

TITLE: 1200 SHORT CASE  
SHEET: PAGE 1 OVERVIEW  
FIASCOCASES.COM

DATE: 17-MAY-16

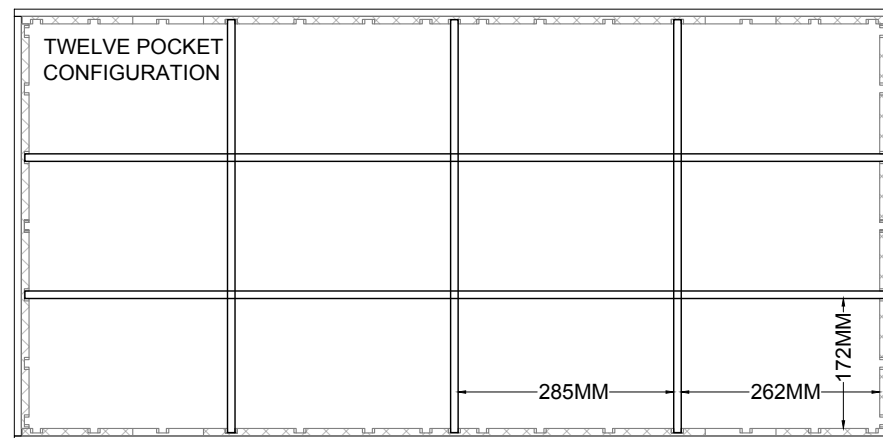
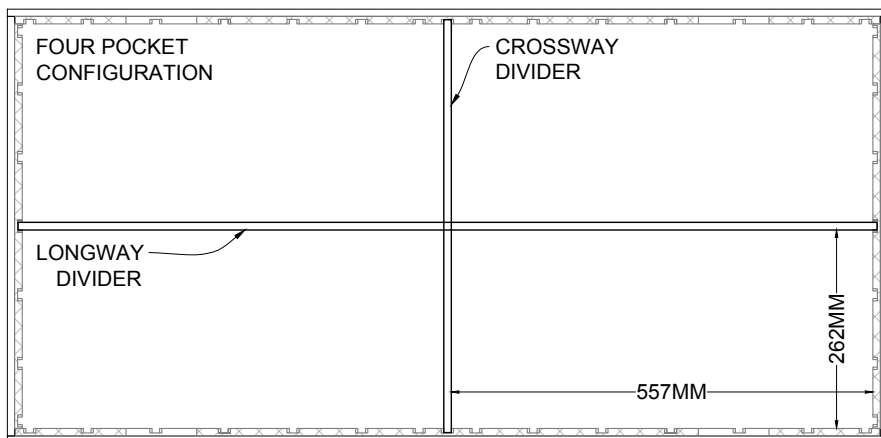
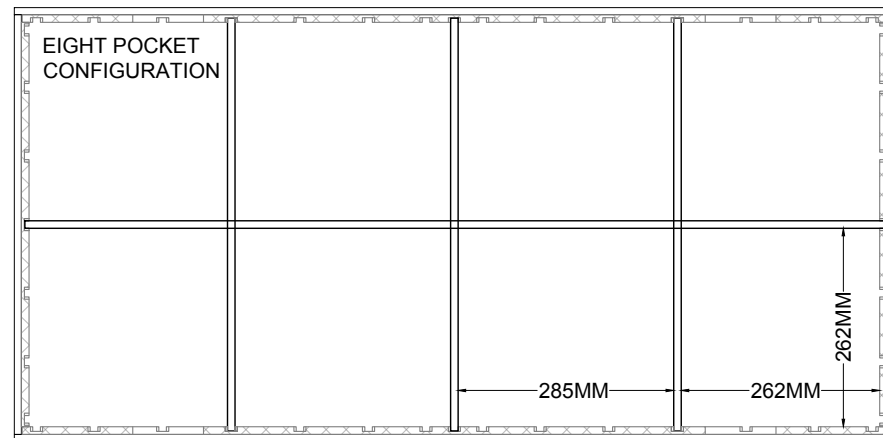
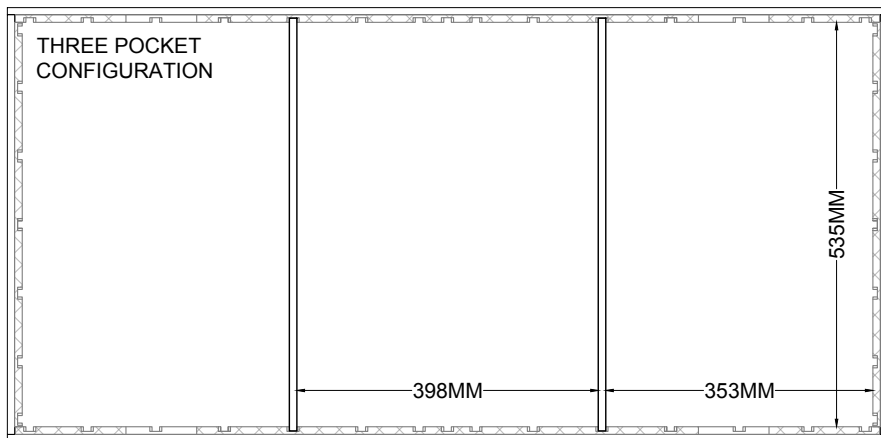
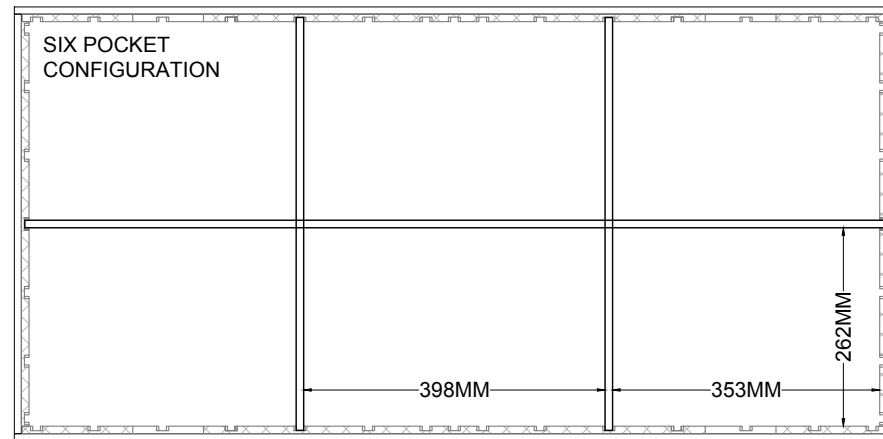
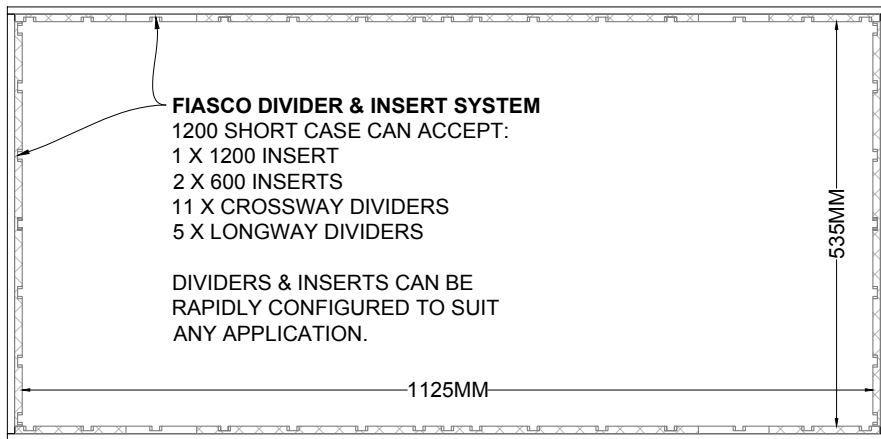
DESIGNED: MARTIN KAUBITZSCH

PROJECT MANAGER: JOE BRADFORD

SCALE: 1:10  
PAPER: A4  
FILE: 1200 SHORT CASE V5.01.dwg  
PLOT: 03/11/2020 01:17 PM  
SHEET: 1 OF 2

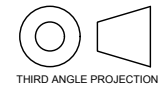
VERSION





| VERSION HISTORY | NOTES     |
|-----------------|-----------|
| #               | DATE      |
| 5.00            | 13-MAY-16 |
| 5.01            | 17-MAY-16 |

ORIGINAL  
 CHANGED FOAM SLOTS TO FIT 600 SCHEME



TITLE  
**1200 SHORT CASE**

SHEET  
**PAGE 2 DIVIDER & INSERT SYSTEM**

FIASCOCASES.COM

DATE  
 17-MAY-16

DESIGNED  
 MARTIN KAUBITZSCH

PROJECT MANAGER  
 JOE BRADFORD

SCALE | 1:10  
 PAPER | A4  
 FILE | 1200 SHORT CASE V5.01.dwg  
 PLOT | 03/11/2020 01:17 PM  
 SHEET | 2 OF 2

VERSION

5.01