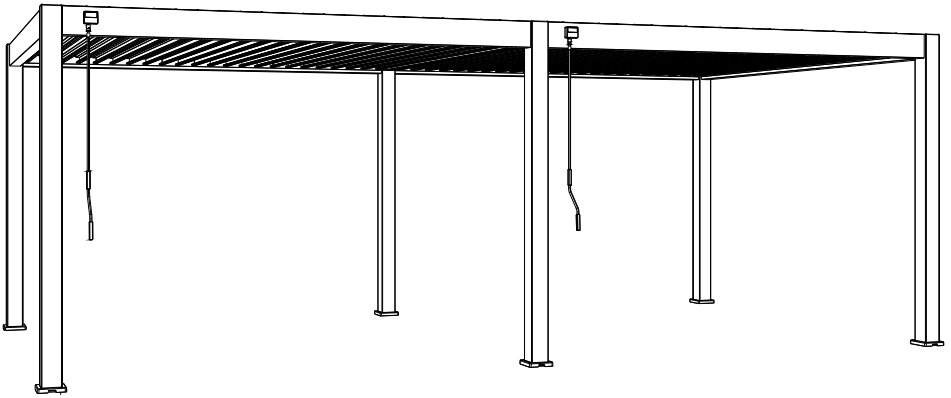



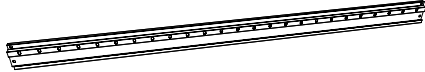







# Installation Guide for Pergola 3.6m x 7.2m



Carton	RET	QTY		REF	QTY		REF	QTY
1/8	AO	4		AO-1	2		IO	6
	JO	6		TO	24		XO-1	24
2/8	BO	2		BO-1	2			
3/8	CO	2		EO	2		FO	2
	HO	2						
4/8	GO	10		QO	12		QO-1	12
	QO-2	12		QO-3	12		EO-1	2
	RO	24		SO	92		WO-1	6
	XO-3	4		ZO-1	1		ZO-2	1
	ZO-3	1		ZO-4	1		ZO-5	1
	ZO-6	1		ZO-7	1			
5/8	GO	9		KO	2		LO	44
	LO-1	46						
6/8	GO	9		MO	90		MO-1	90
	XO	90		UO	136			
7/8	GO	9		NO	2		OO	2
	PO	2		YO	6			
8/8	GO	9		UO-1	46		VO	228
	XO-2	46		WO	368			

REF	PICTURE	QTY
AO		4 PCS
AO-1		2 PCS
BO		2 PCS
BO-1		2 PCS
CO		2 PCS
EO		1 PCS
FO		2 PCS
GO		46 PCS
HO		2 PCS

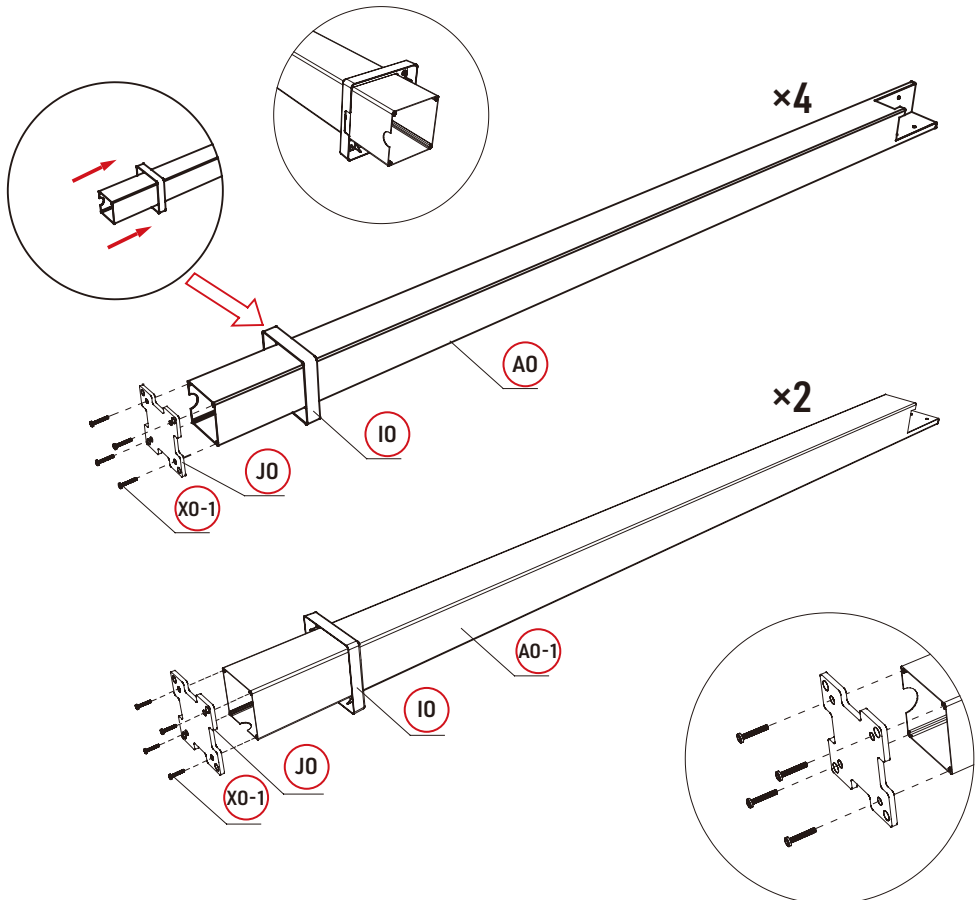
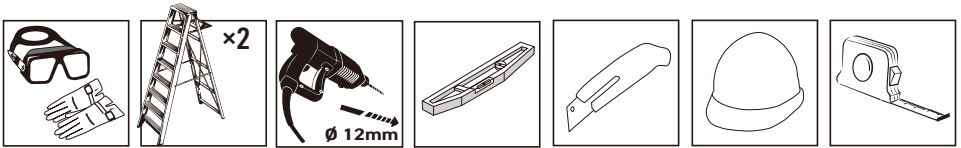
REF	PICTURE	QYT
IO		6 PCS
JO		6 PCS
KO		2 PCS
LO		44 PCS
LO-1		46 PCS
MO		90 PCS
MO-1		90 PCS
NO		2 PCS
OO		2PCS
PO		2 PCS
QO		12 PCS
QO-1		12 PCS
QO-2		12 PCS
QO-3		12 PCS
EO-1		2 PCS
RO		24 PCS
SO		92 PCS
TO		24 PCS
UO		136 PCS

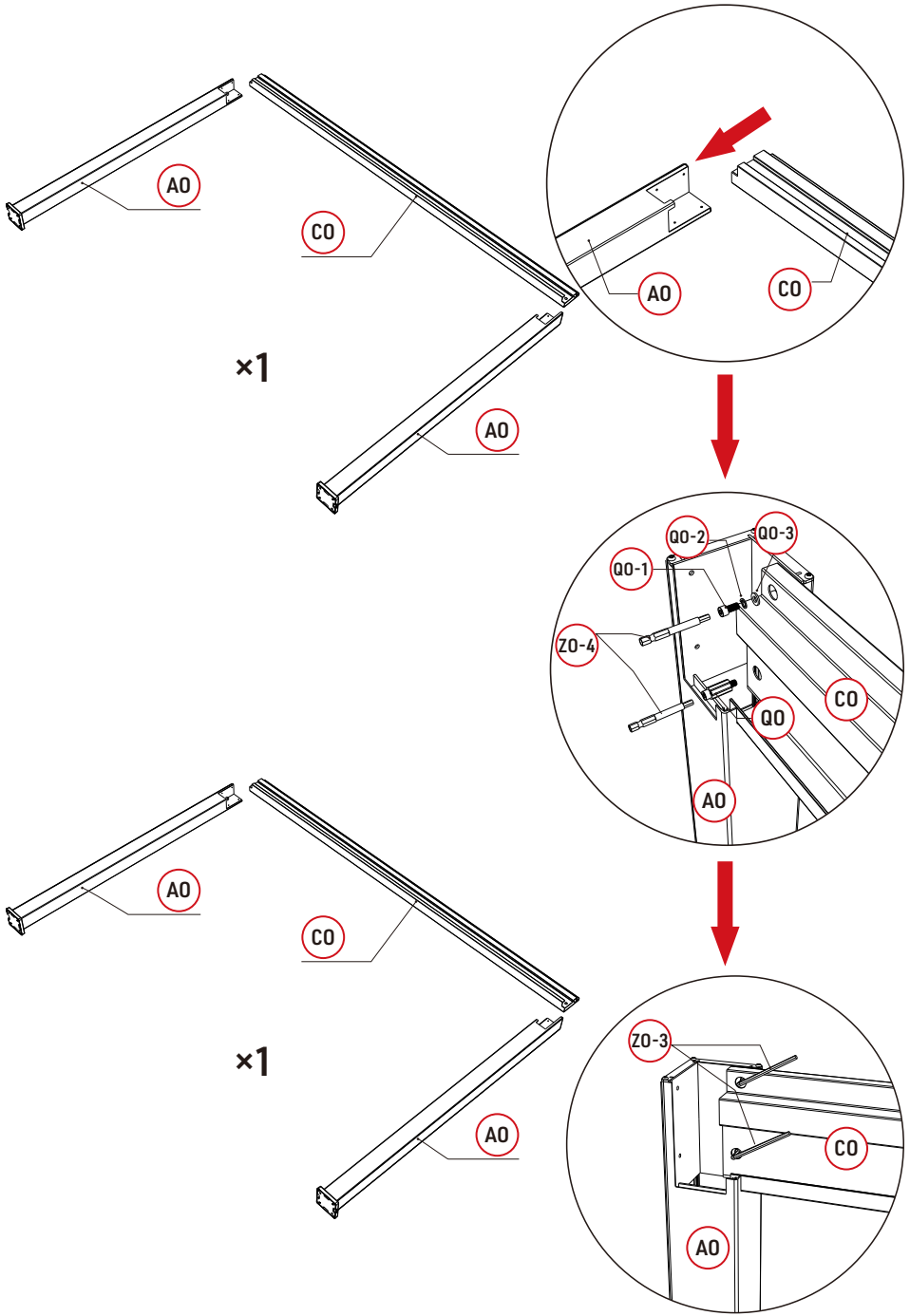
REF	PICTURE	QYT	
UO-1	 plastic nut	46 PCS	
VO		228 PCS	
WO	 4x12	 4mm	368 PCS
WO-1	 5x19	 5mm	6 PCS
XO	 6x40	 4mm	90 PCS
XO-1	 6x35	 4mm	24 PCS
XO-2	 6x20	 4mm	46 PCS
XO-3	 6x16	 4mm	4 PCS
YO	 6x45	 4mm	6 PCS
ZO-1	 4mm	1 PCS	
ZO-2	 4mm	1 PCS	
ZO-3	 6mm	1 PCS	
ZO-4	 6mm	1 PCS	
ZO-5	 10mm	1 PCS	
ZO-6	 T20	1 PCS	
ZO-7		1 PCS	

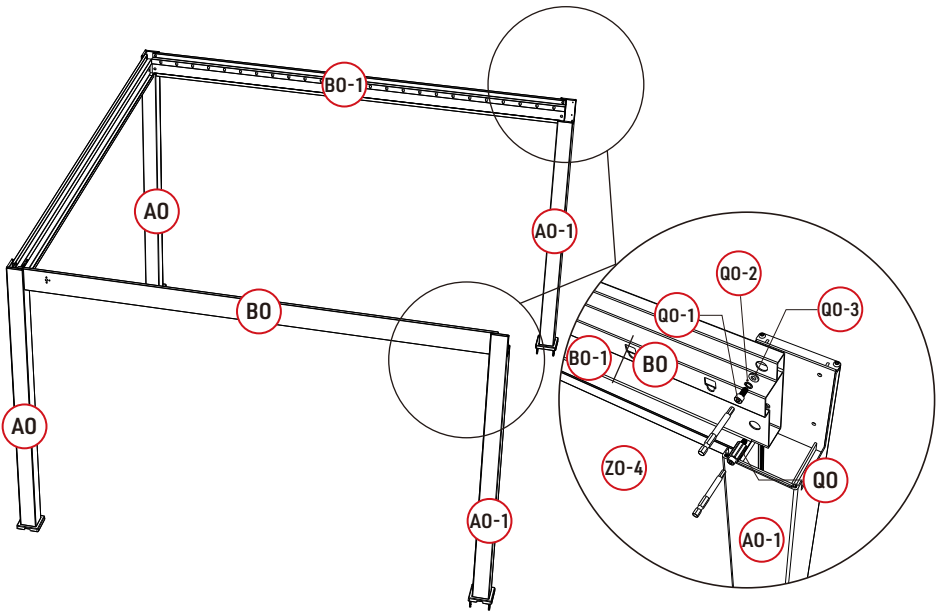
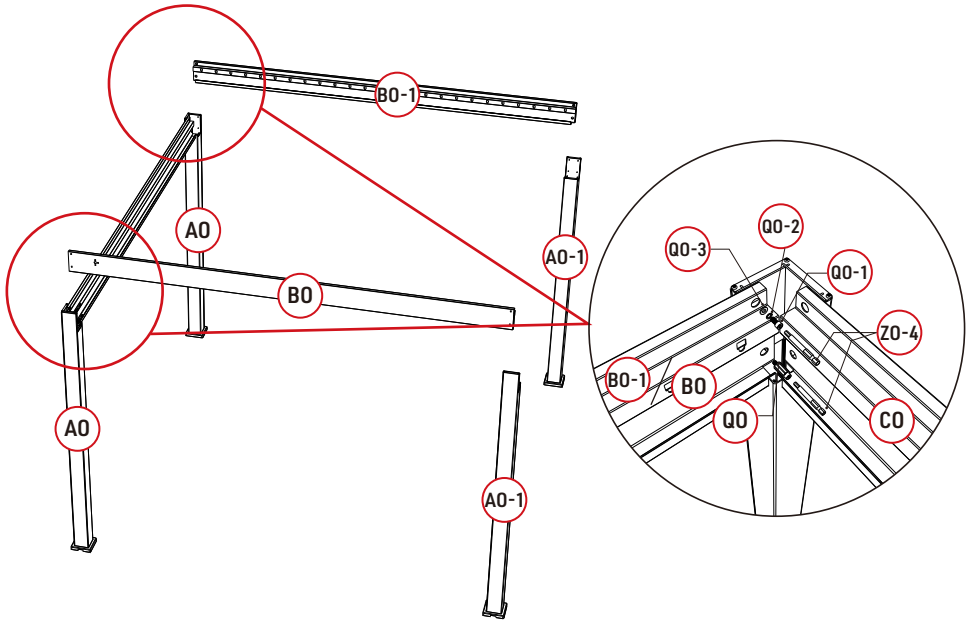
# ATTENTION!!!

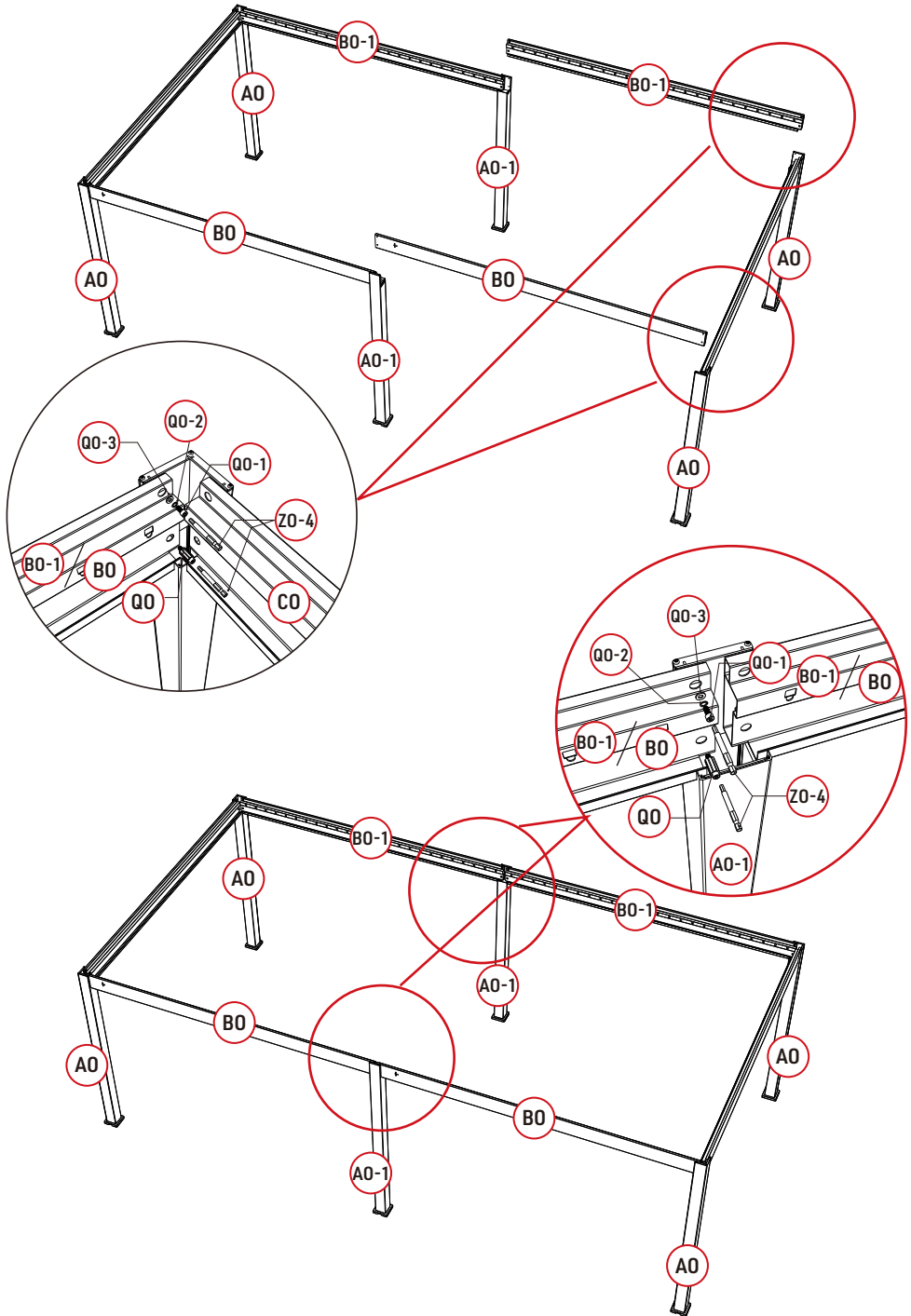
Please open the louvers to vertical in winter and snowing weather to protect your pergola!

## Tools Required for Installation

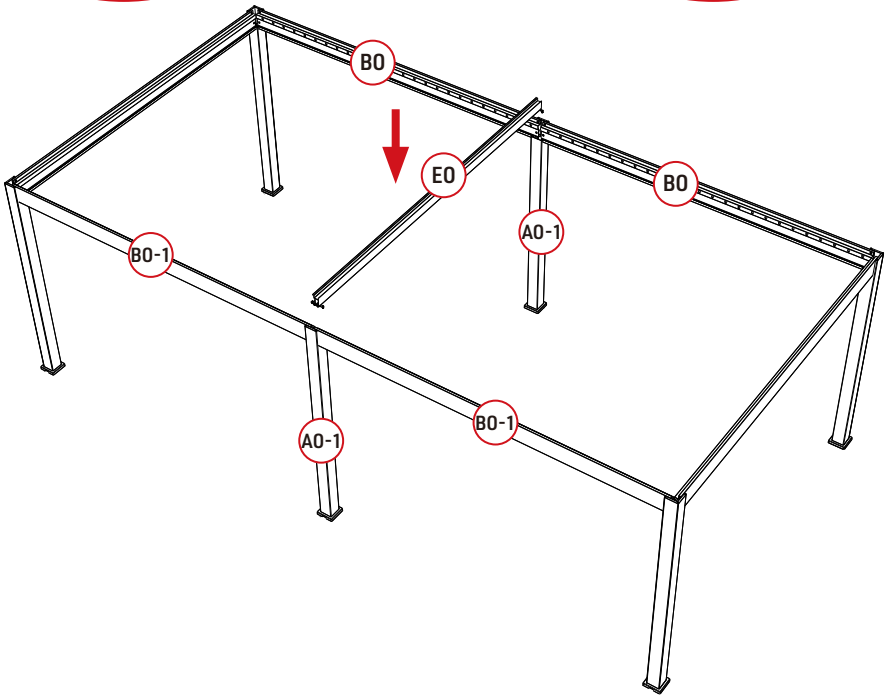
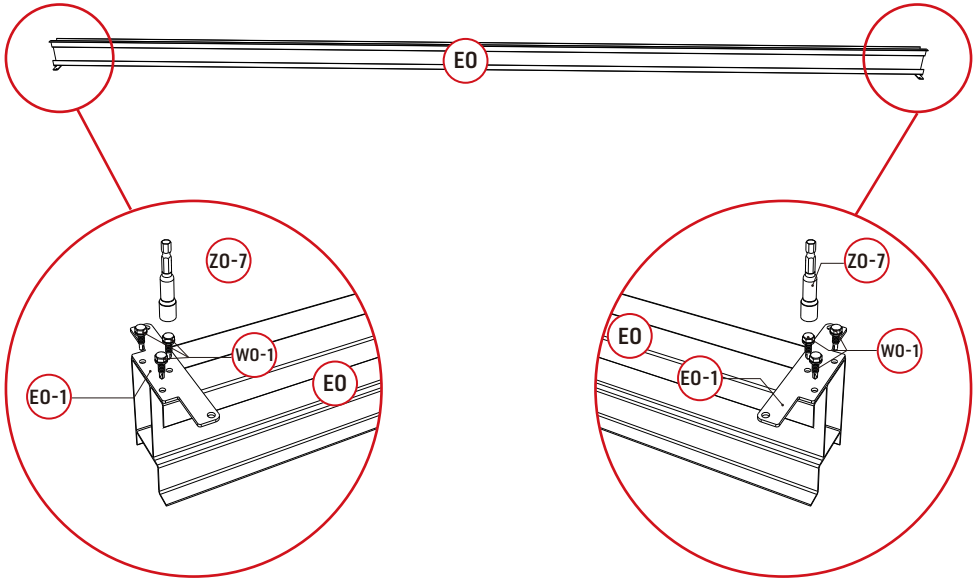


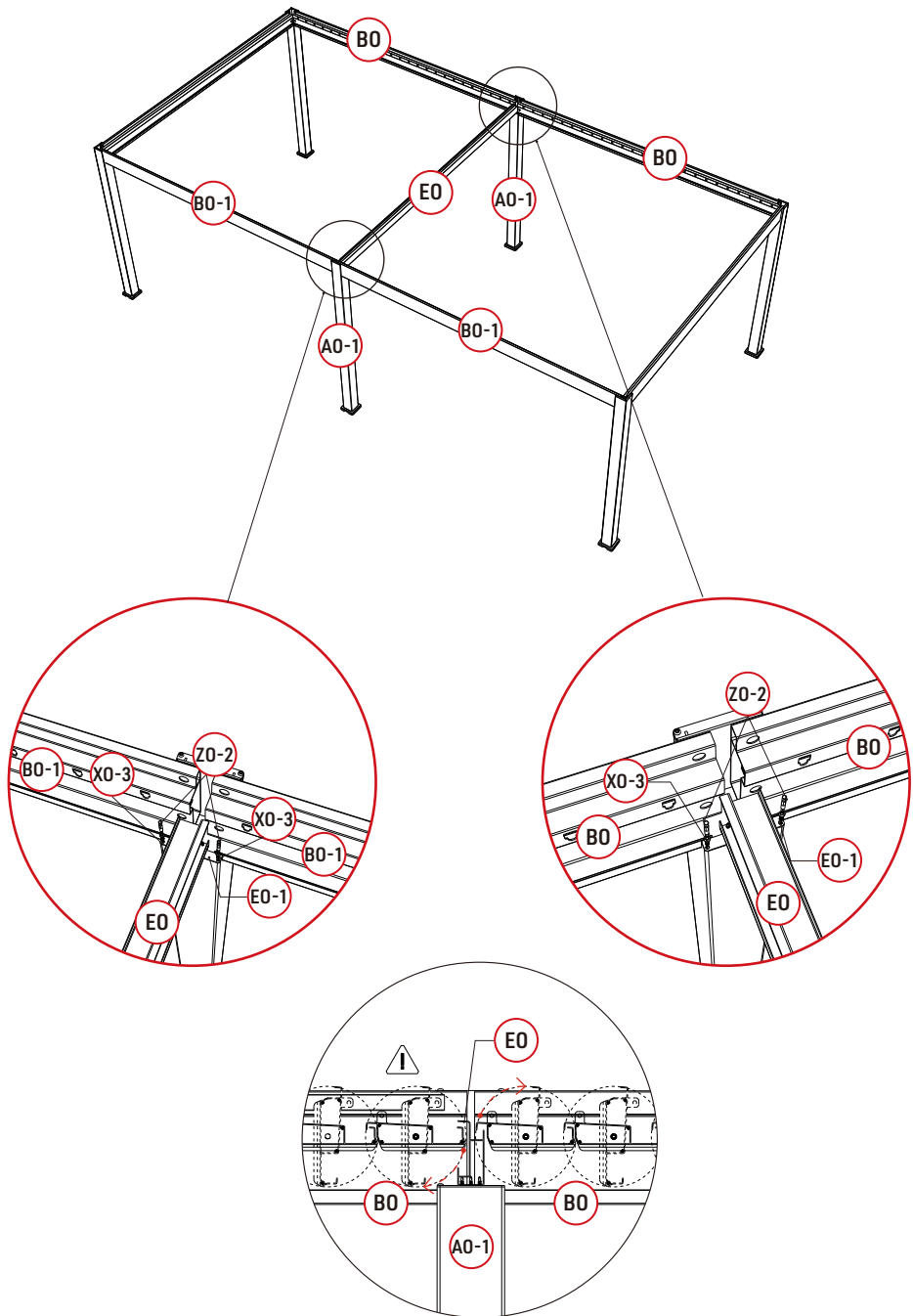




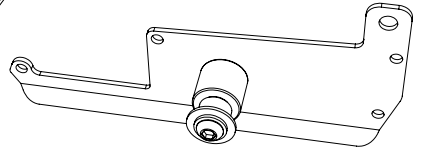
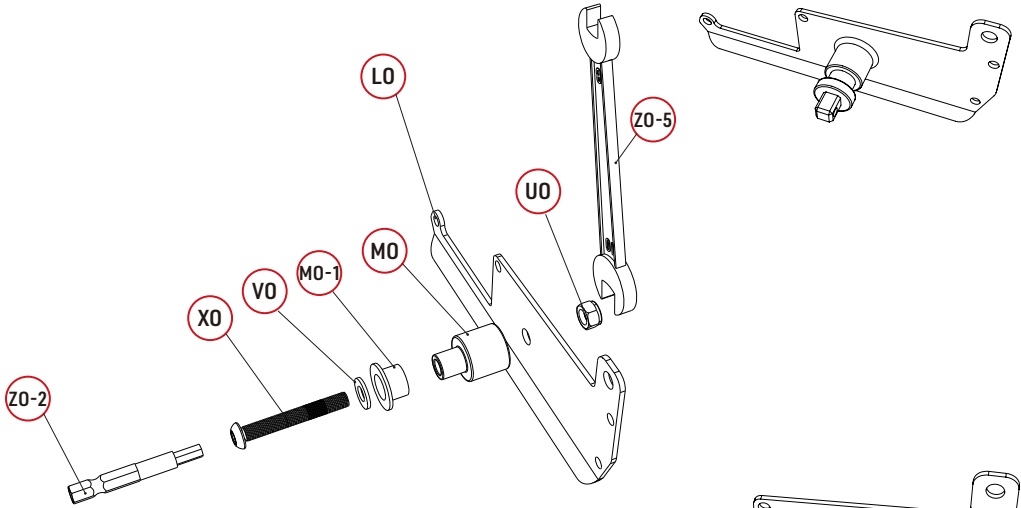




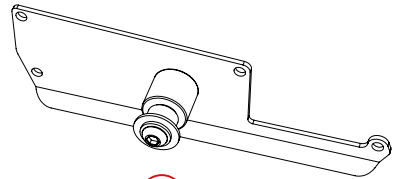
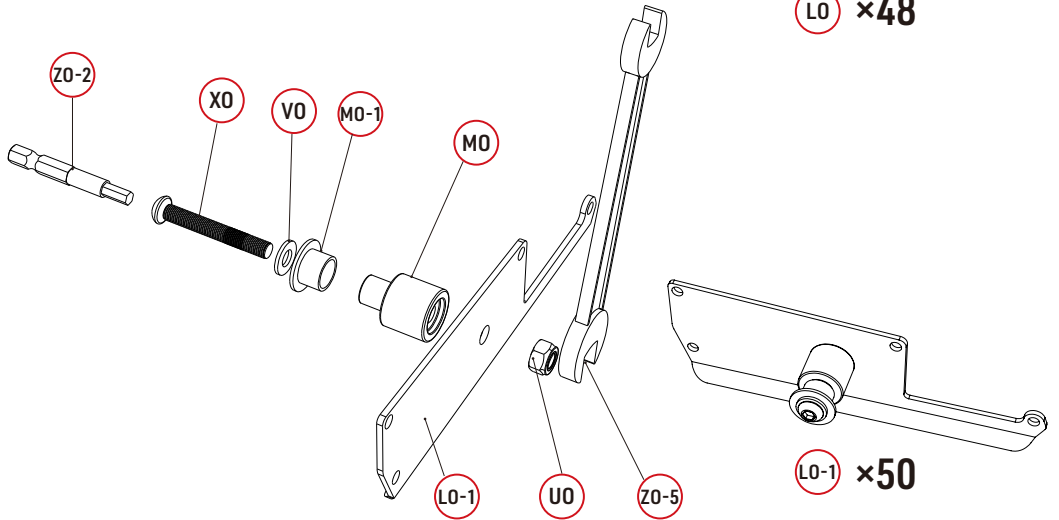




 **K0** ×2

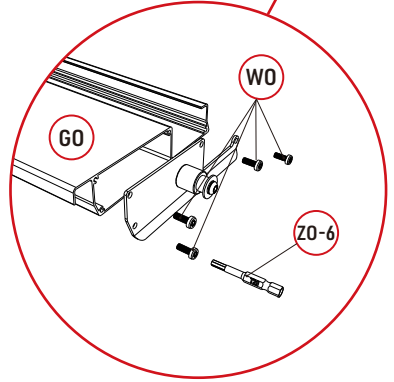
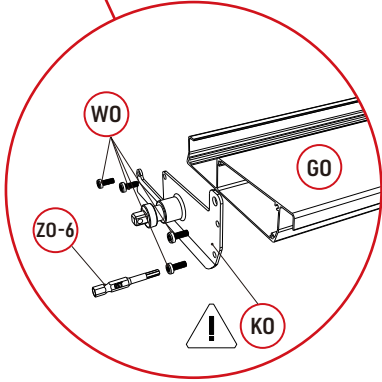


**LO** ×48

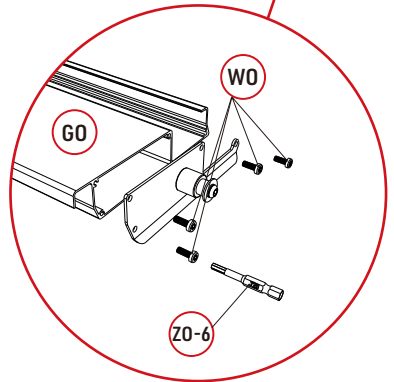
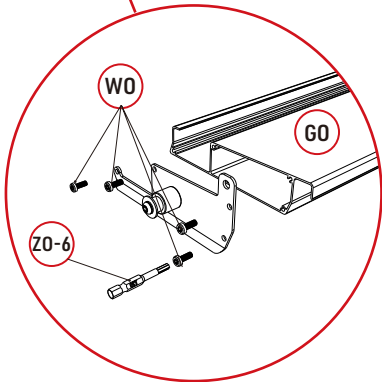


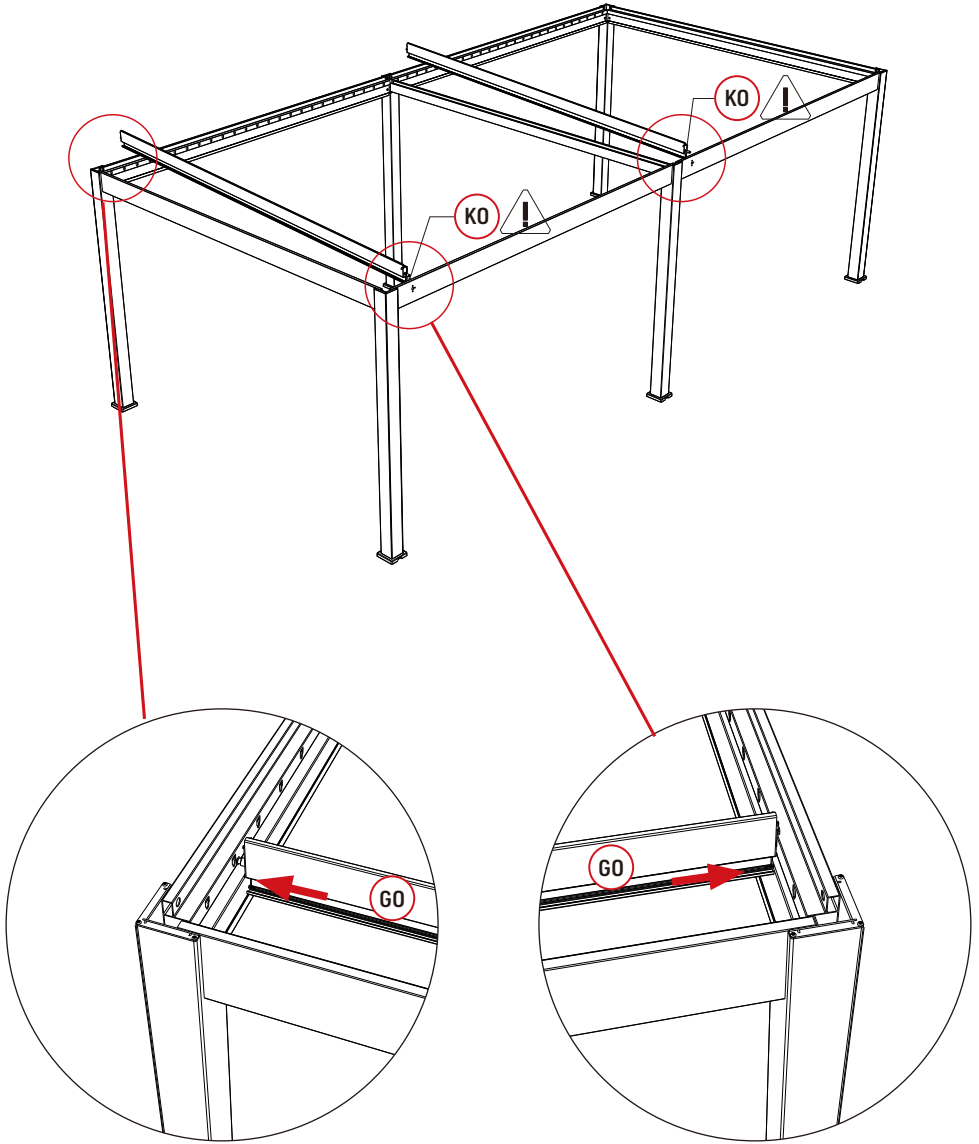
**LO-1** ×50

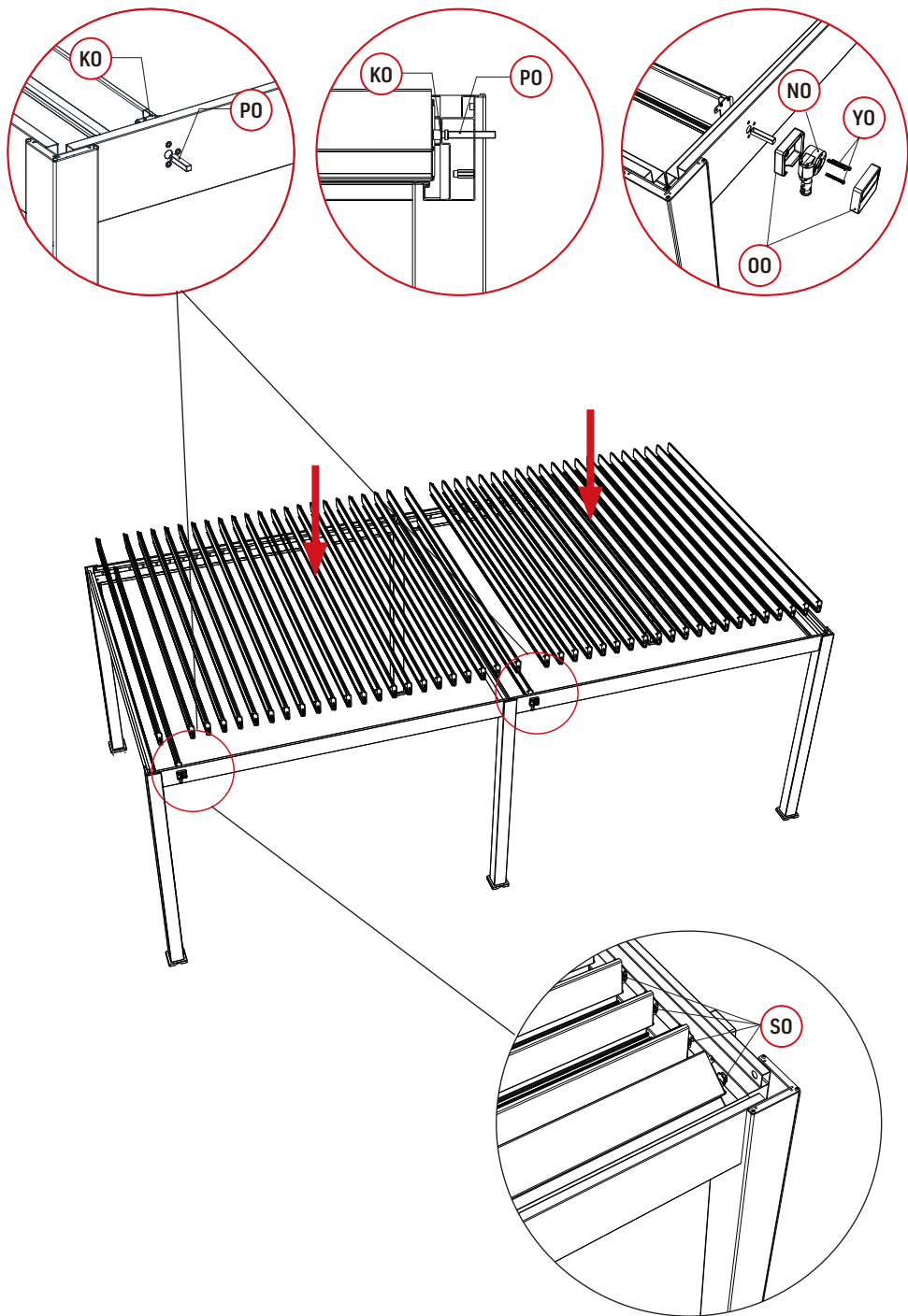
×2

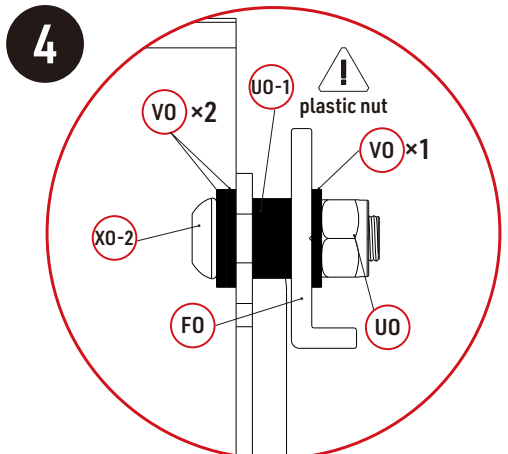
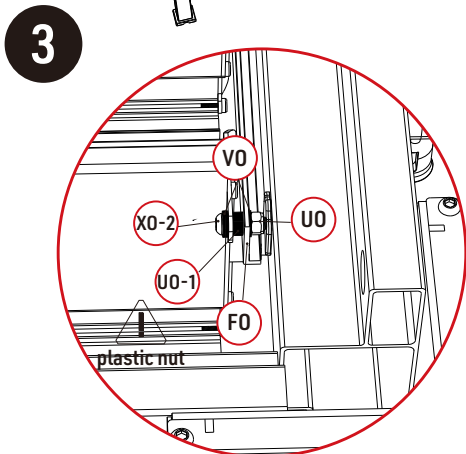
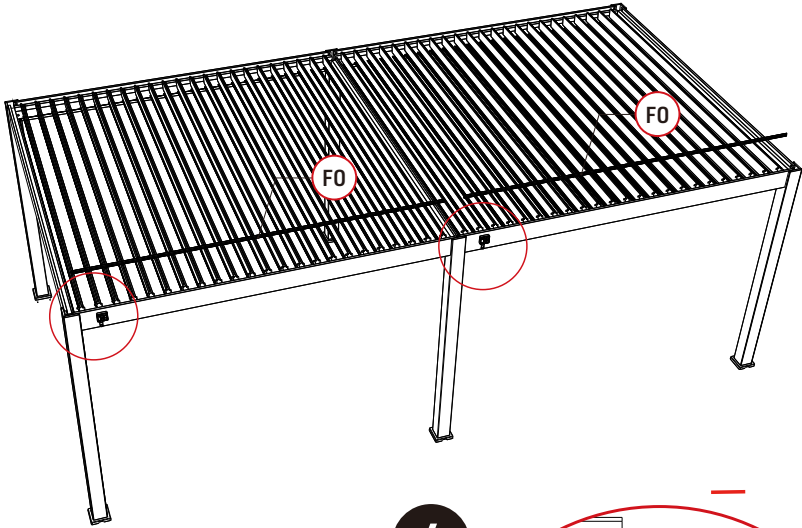
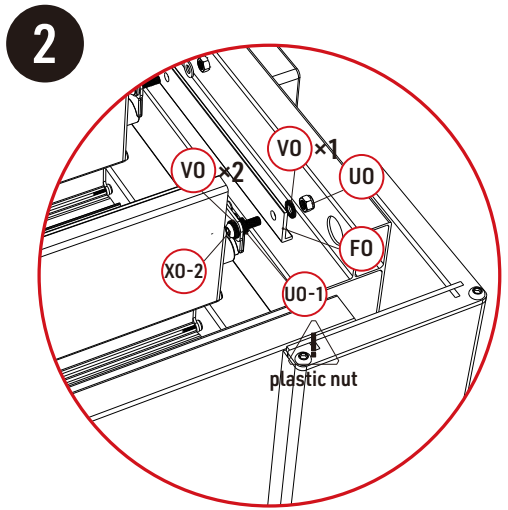
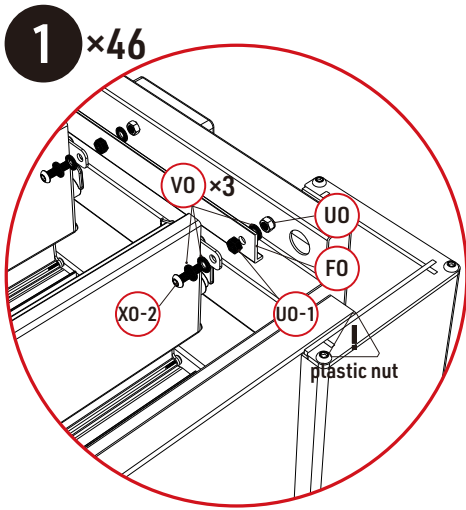


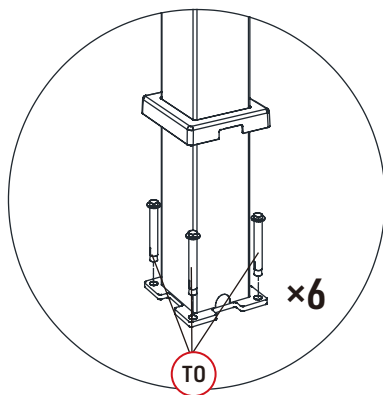
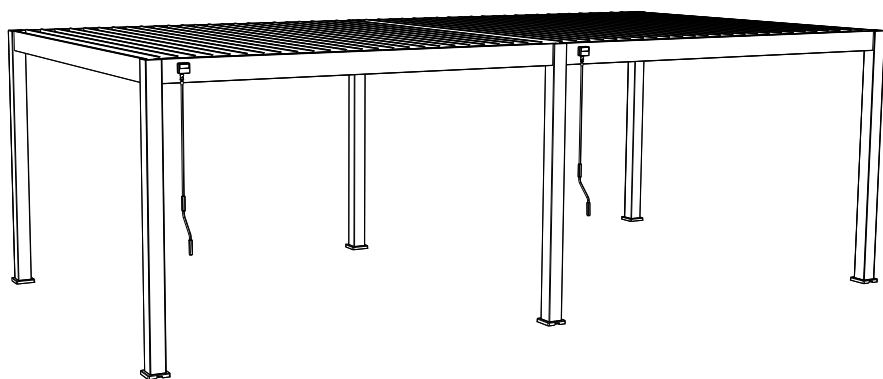
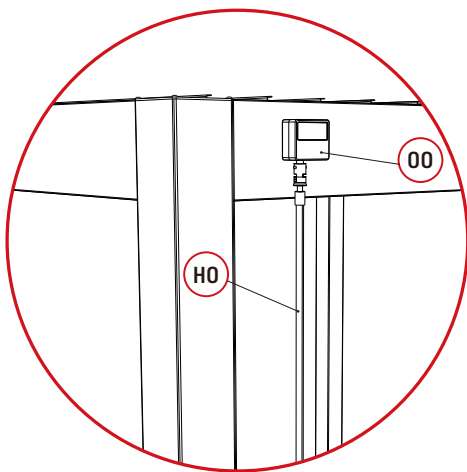
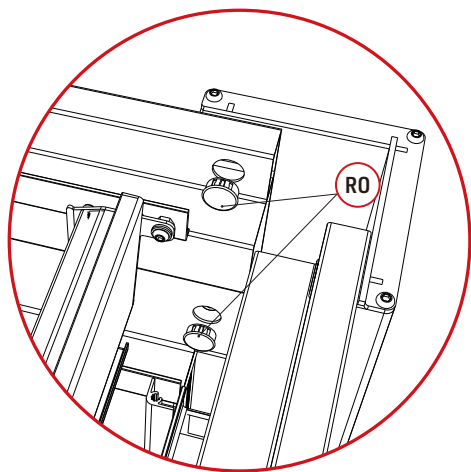
×48



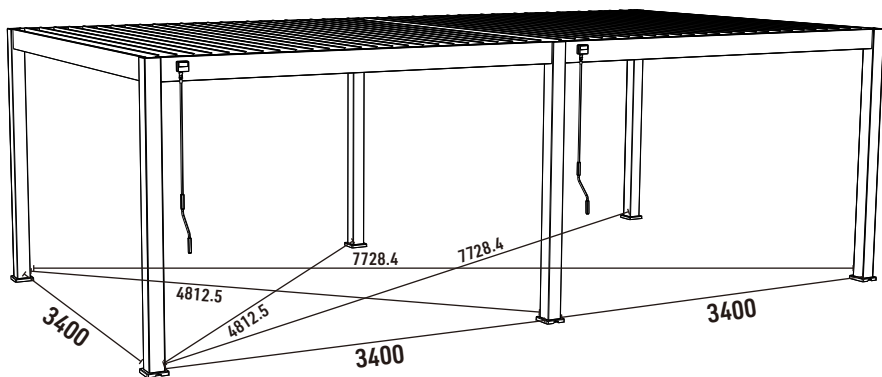
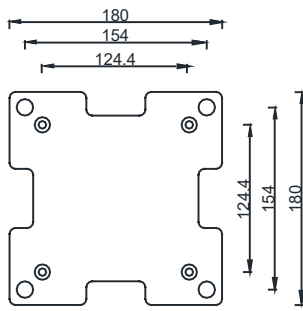
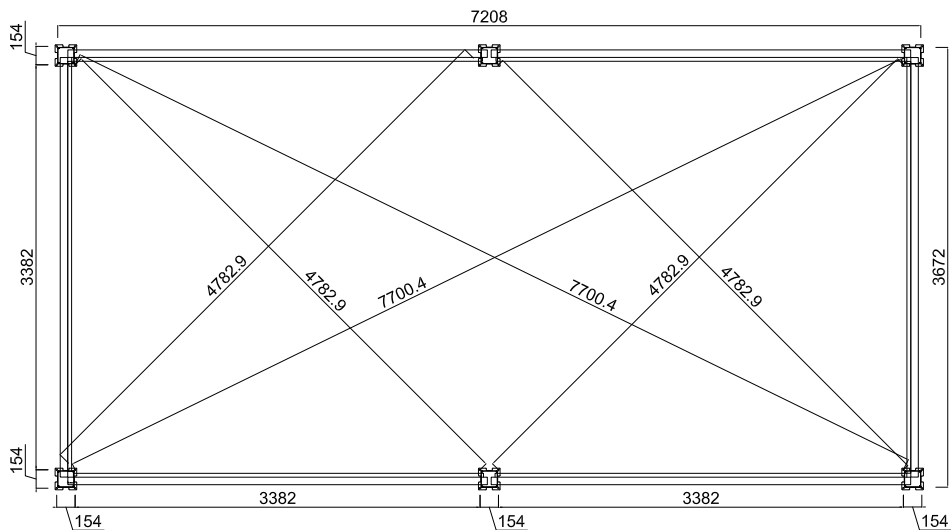












**W**ESTMINSTER  
1 9 9 0