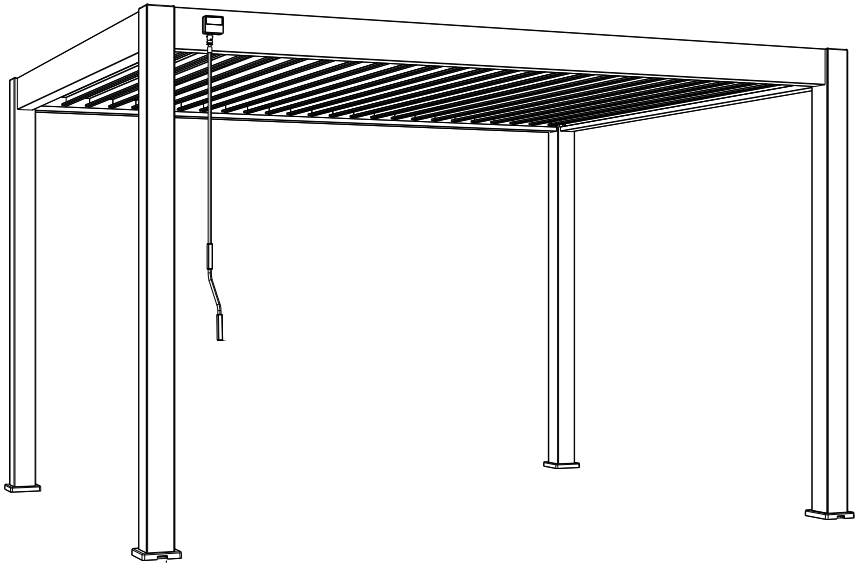

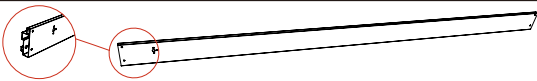


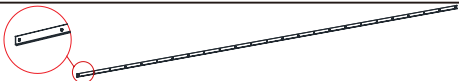




# Installation Guide for Pergola 4m x 3m



Carton	RET	QTY		REF	QTY		REF	QTY
1/5	AO	4		IO	4		JO	4
	TO	16		XO-1	16			
2/5	BO	1		BO-1	1		CO	2
	HO	1		FO	1		NO	100
	OO	1		PO	1		QO	8
	QO-1	8		QO-2	8		QO-3	8
	XO	49		XO-2	25		RO	16
	SO	50		UO	74		UO-1	25
	VO	124		YO	3		ZO-1	1
	ZO-2	1		ZO-3	1		ZO-4	1
	ZO-5	1		ZO-6	1			
3/5	GO	7		KO	2		LO	24
	LO-1	25		MO	49		MO-1	49
	WO	200						
4/5	GO	9						
5/5	GO	9						

REF	PICTURE	QTY
A0		4 PCS
B0		1 PCS
B0-1		1 PCS
C0		2 PCS
F0		1 PCS
G0		25 PCS
H0		1 PCS

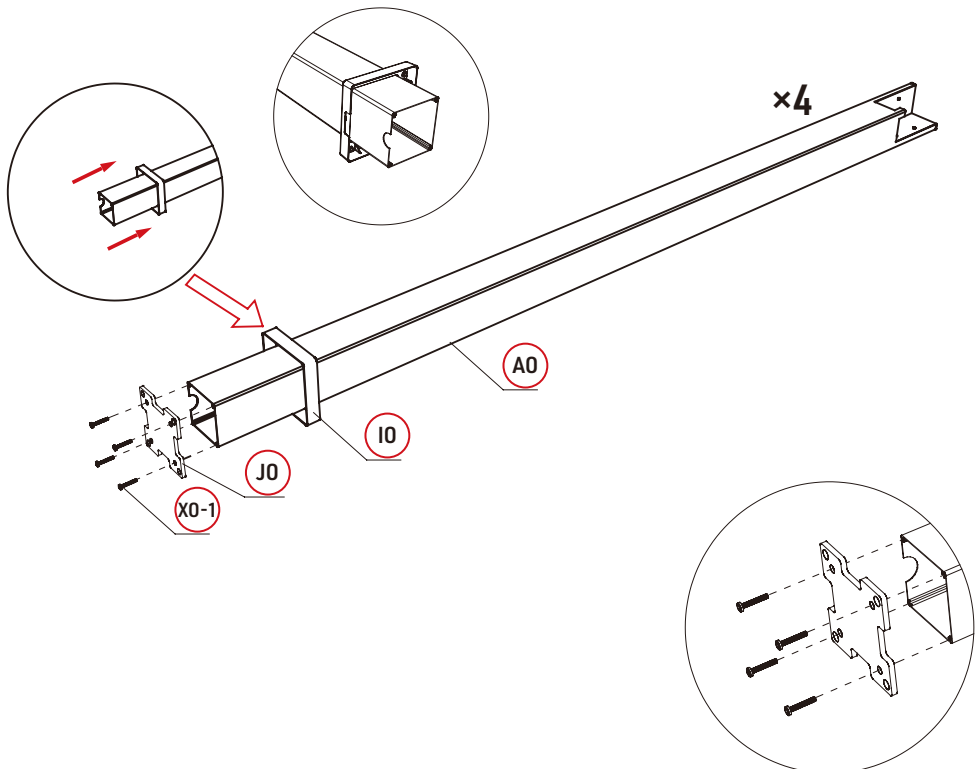
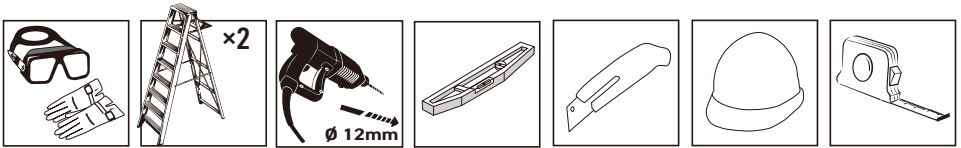
REF	PICTURE	QYT
IO		4 PCS
JO		4 PCS
KO		1 PCS
LO		24 PCS
LO-1		25 PCS
MO		49 PCS
MO-1		49 PCS
NO		1 PCS
OO		1 PCS
PO		1 PCS
QO		8 PCS
QO-1		8 PCS
QO-2		8 PCS
QO-3		8 PCS
RO		16 PCS
SO		50 PCS
TO		16 PCS
UO		74 PCS
UO-1		25 PCS

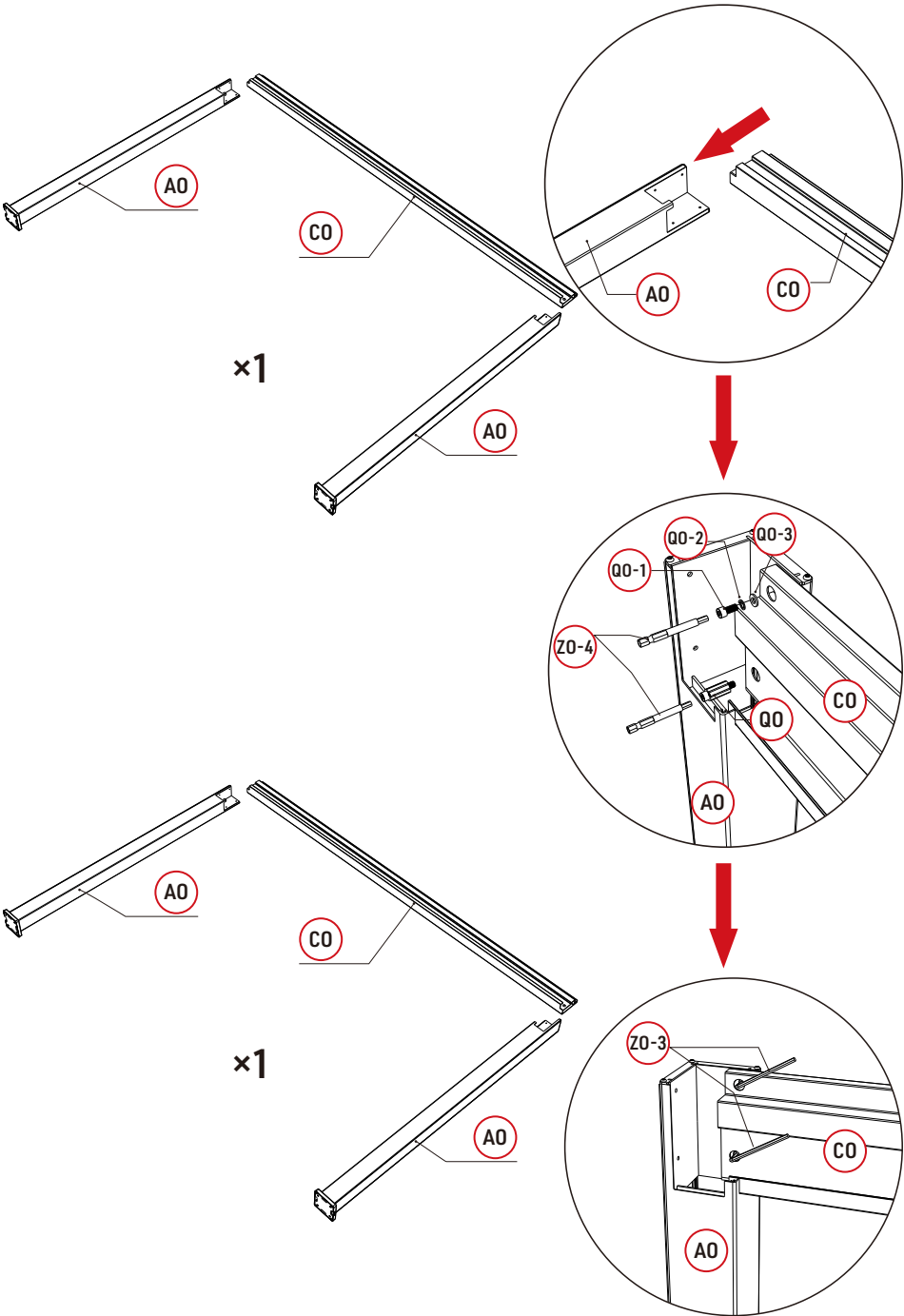
REF	PICTURE	QYT
VO		148 PCS
WO		200 PCS
XO		49 PCS
XO-1		16 PCS
XO-2		25 PCS
YO		6 PCS
ZO-1		1 PCS
ZO-2		1 PCS
ZO-3		1 PCS
ZO-4		1 PCS
ZO-5		1 PCS
ZO-6		1 PCS

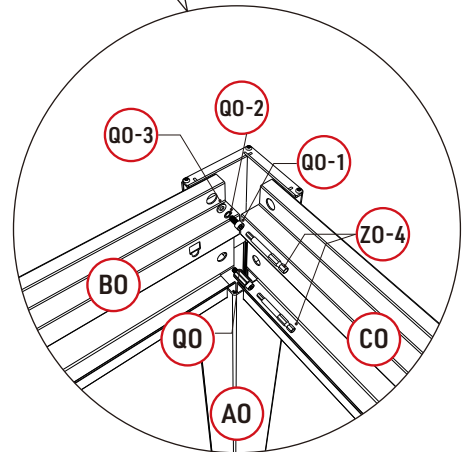
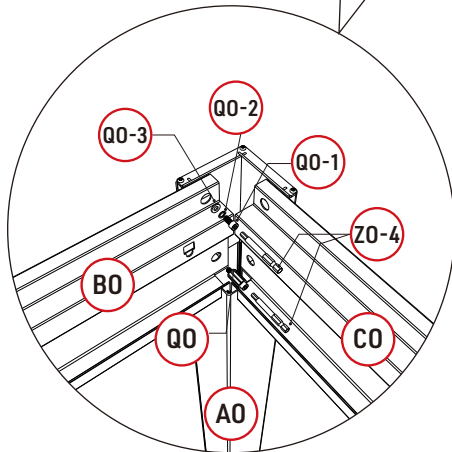
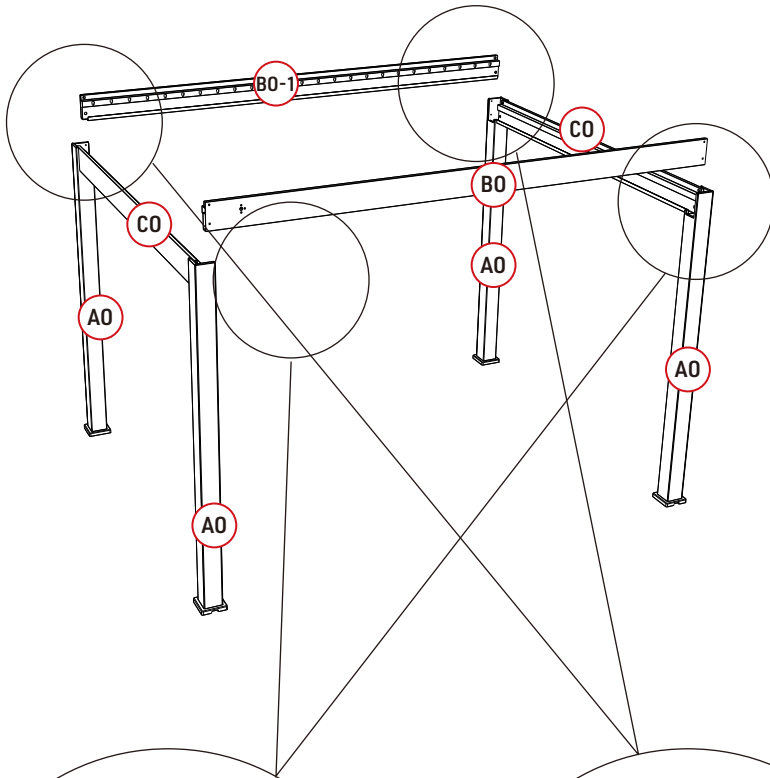
# ATTENTION!!!

Please open the louvers to vertical in winter and snowing weather to protect your pergola!

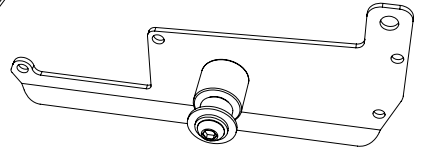
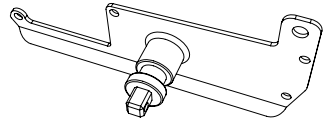
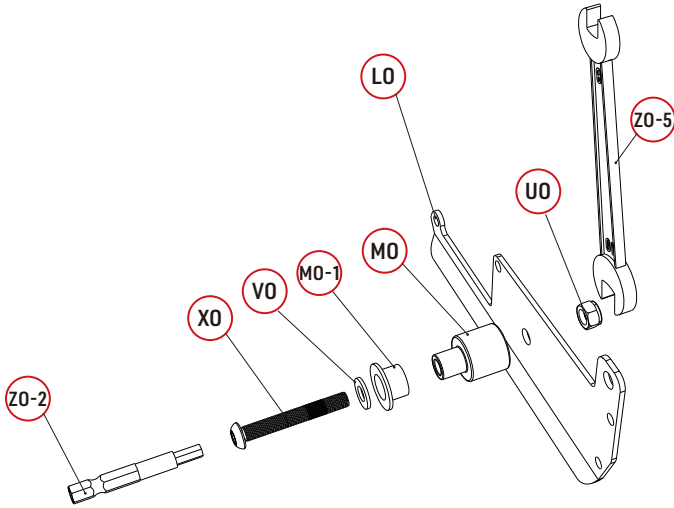
## Tools Required for Installation



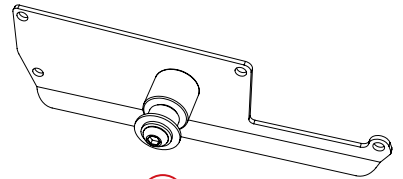
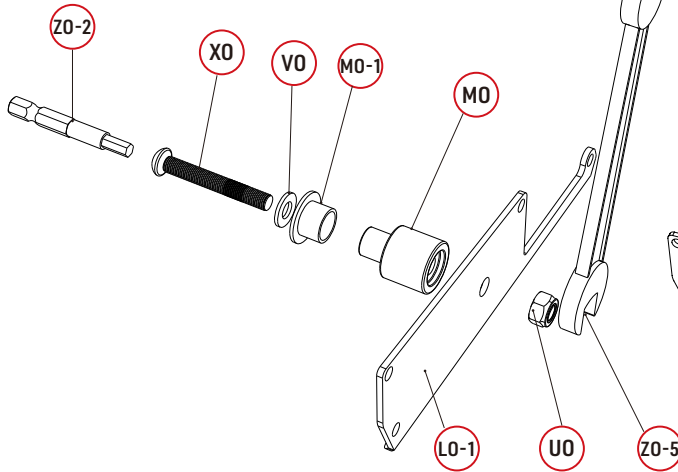




 **K0** ×1



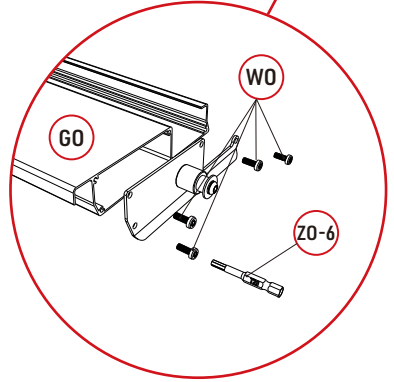
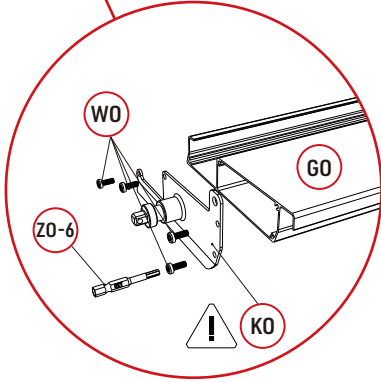
**LO** ×24



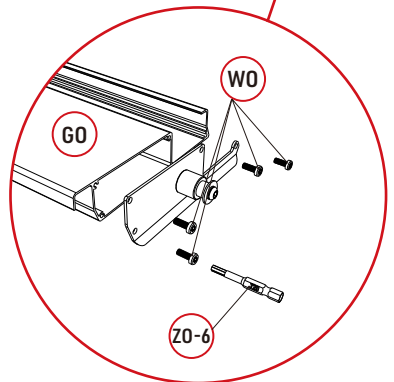
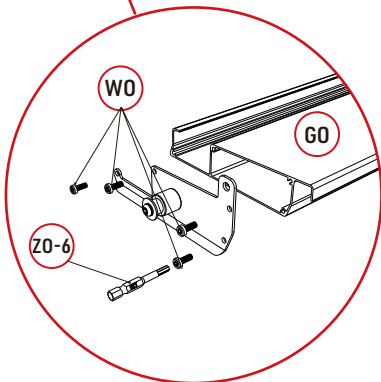
**LO-1** ×25

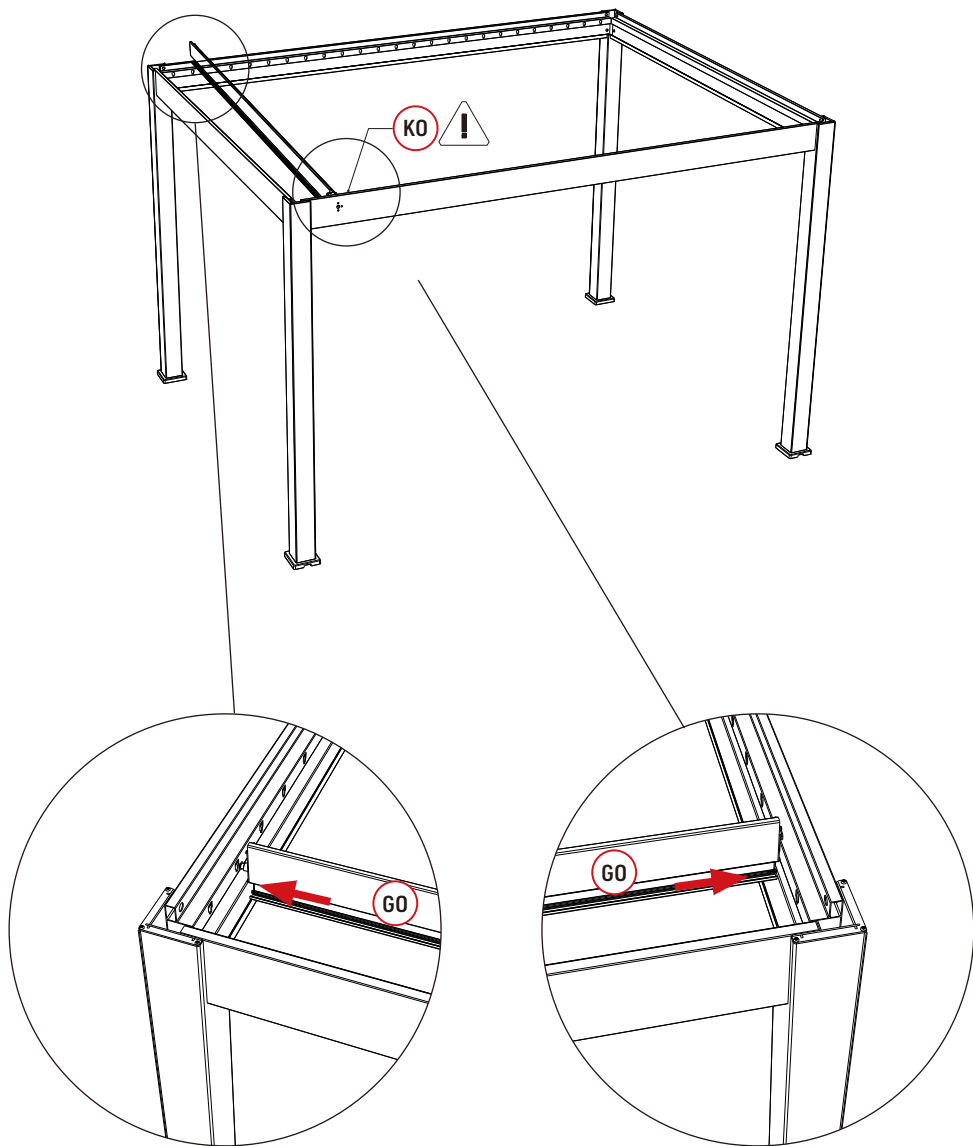


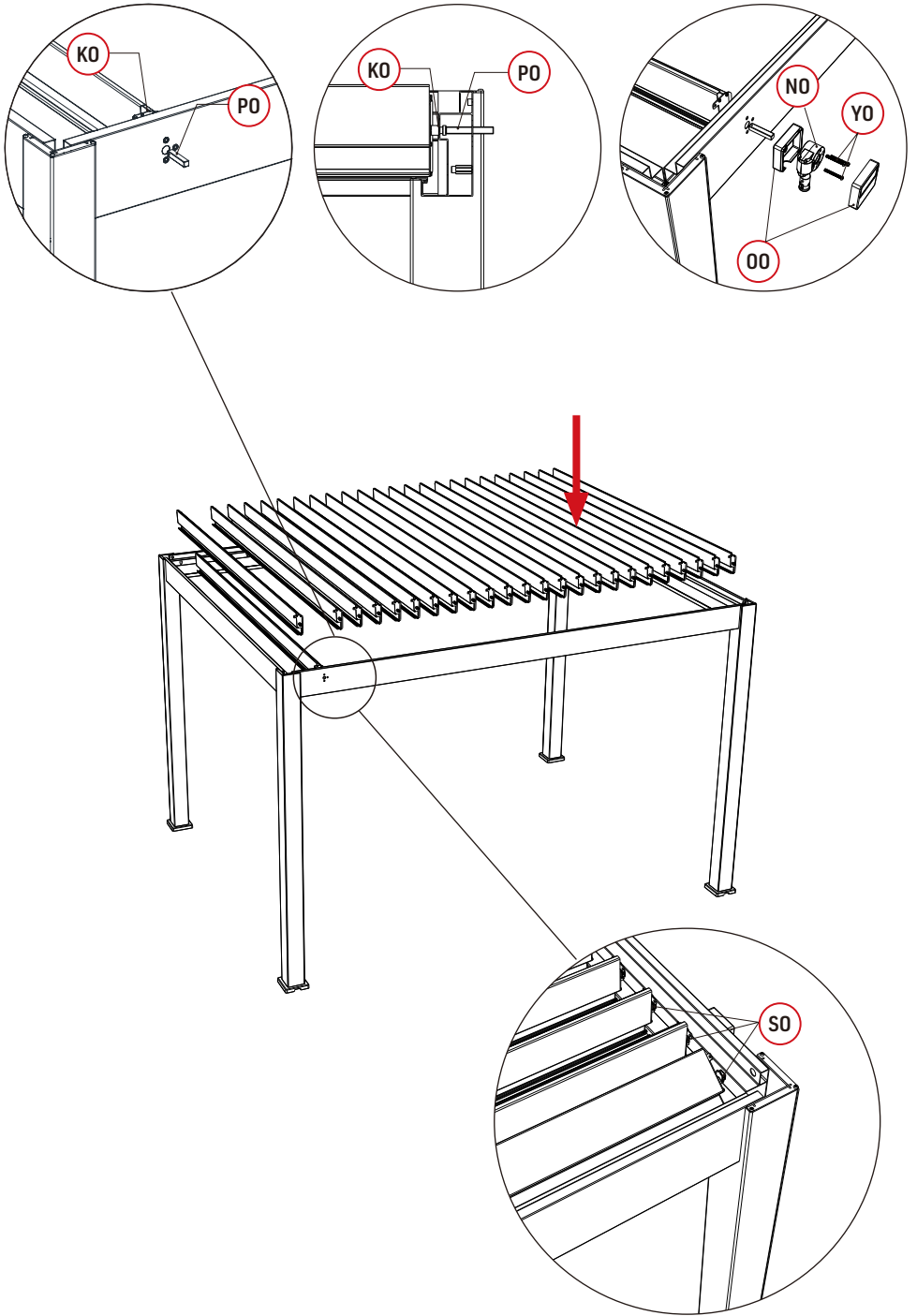
×1

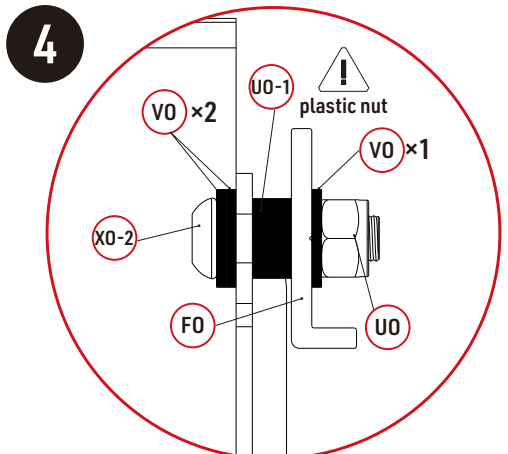
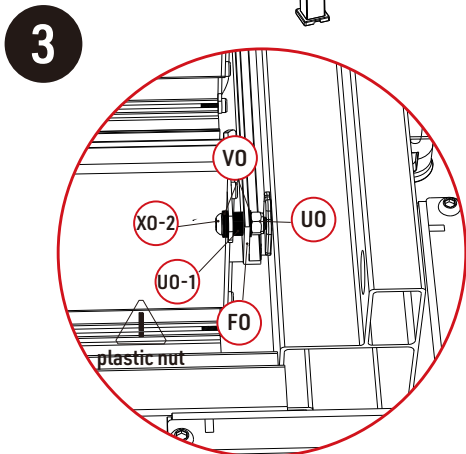
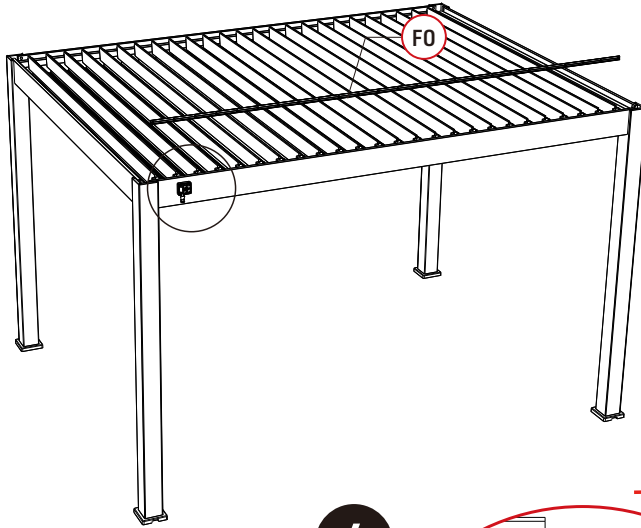
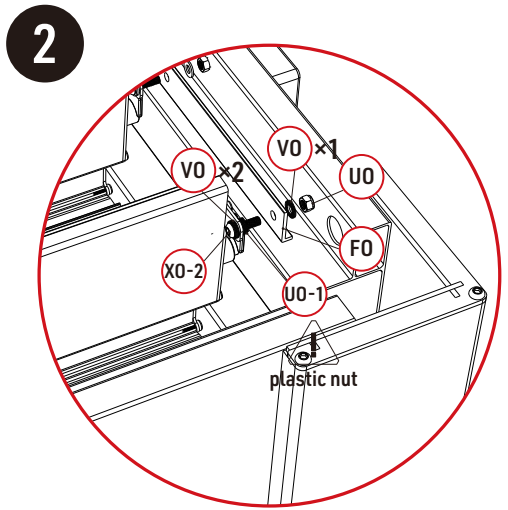
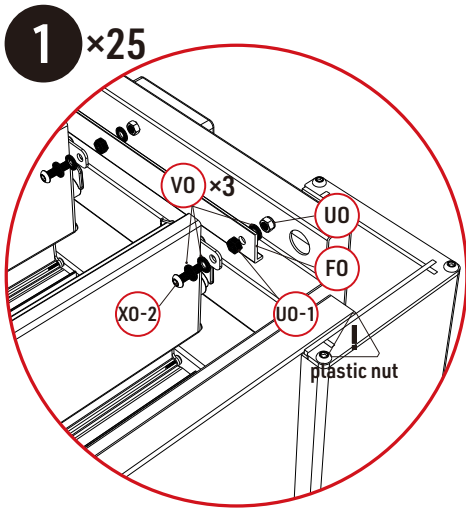


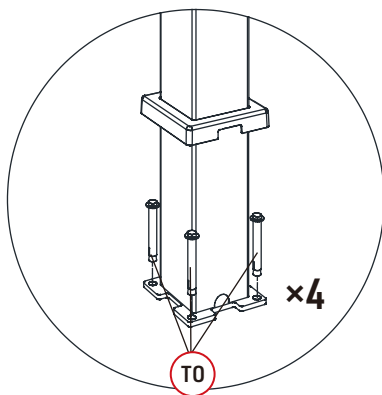
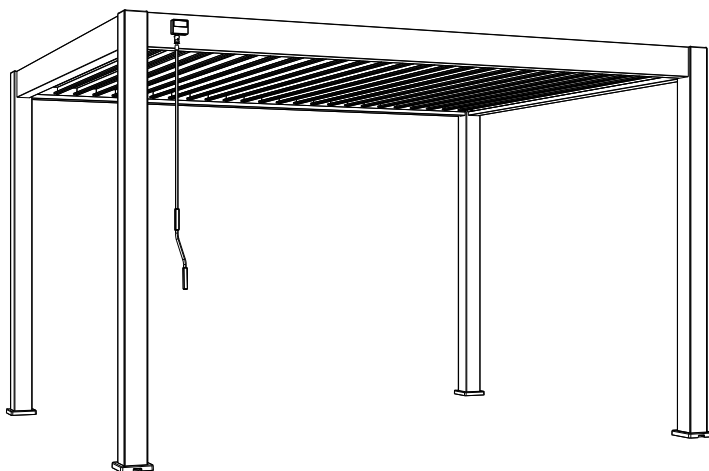
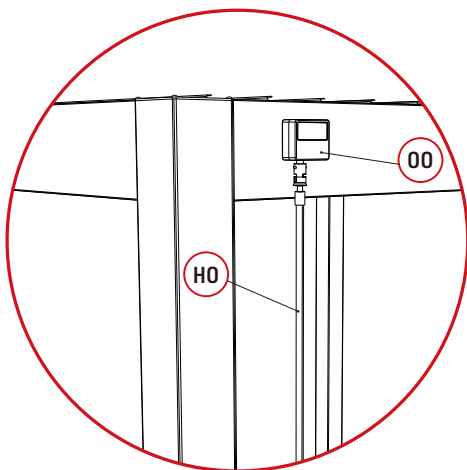
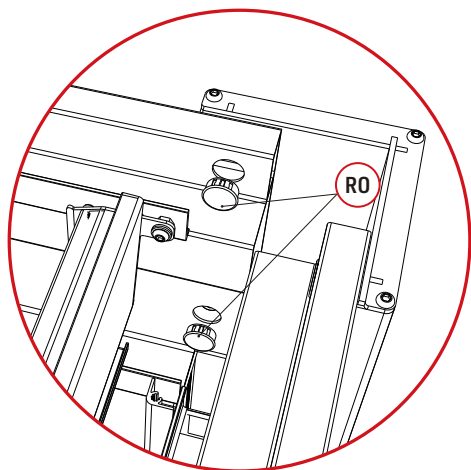
×24

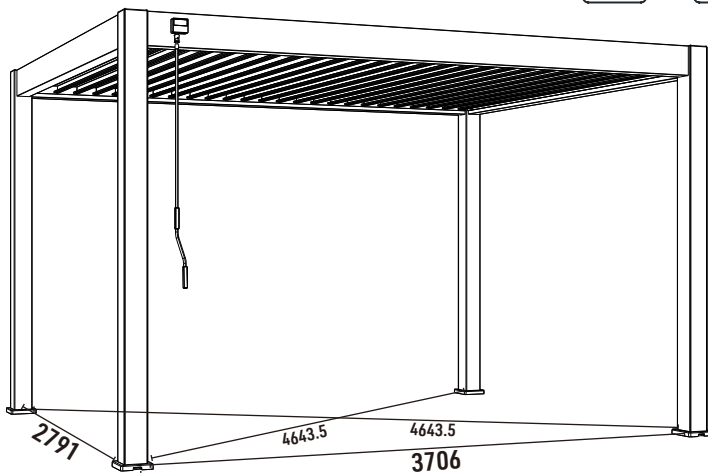
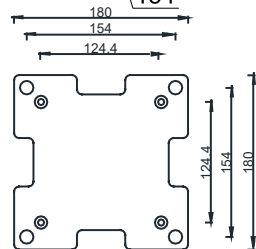
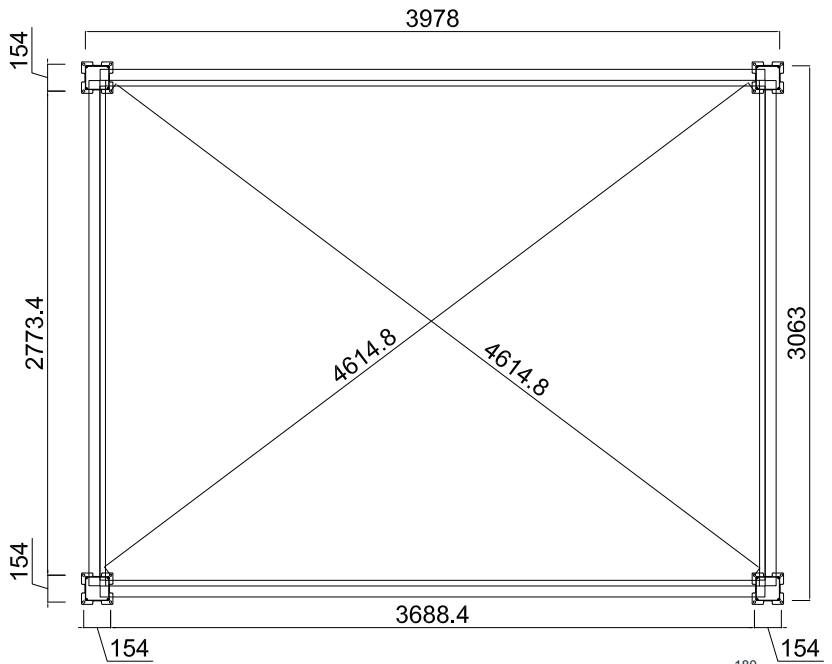












**W**ESTMINSTER  
1 9 9 0