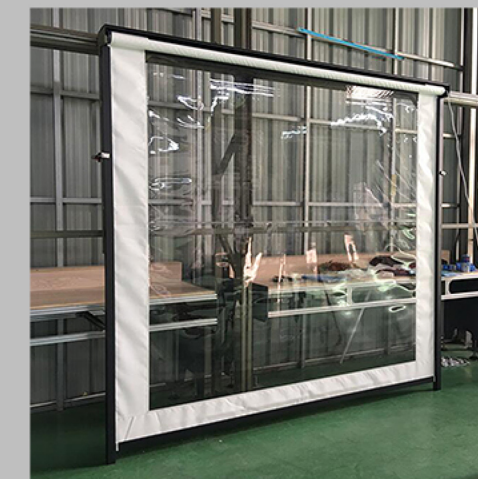
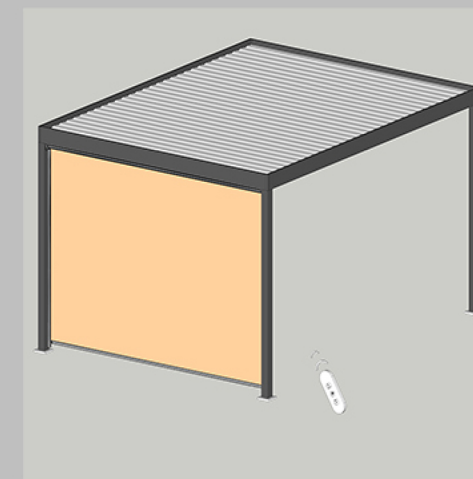
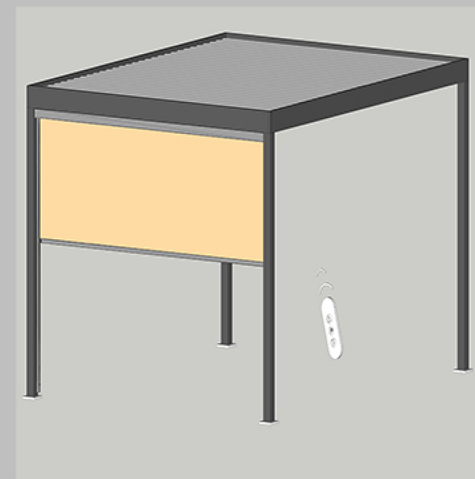
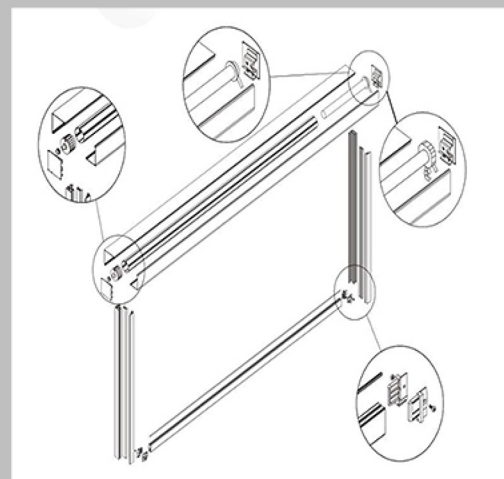


REMANSO

Luxury aluminium pergolas



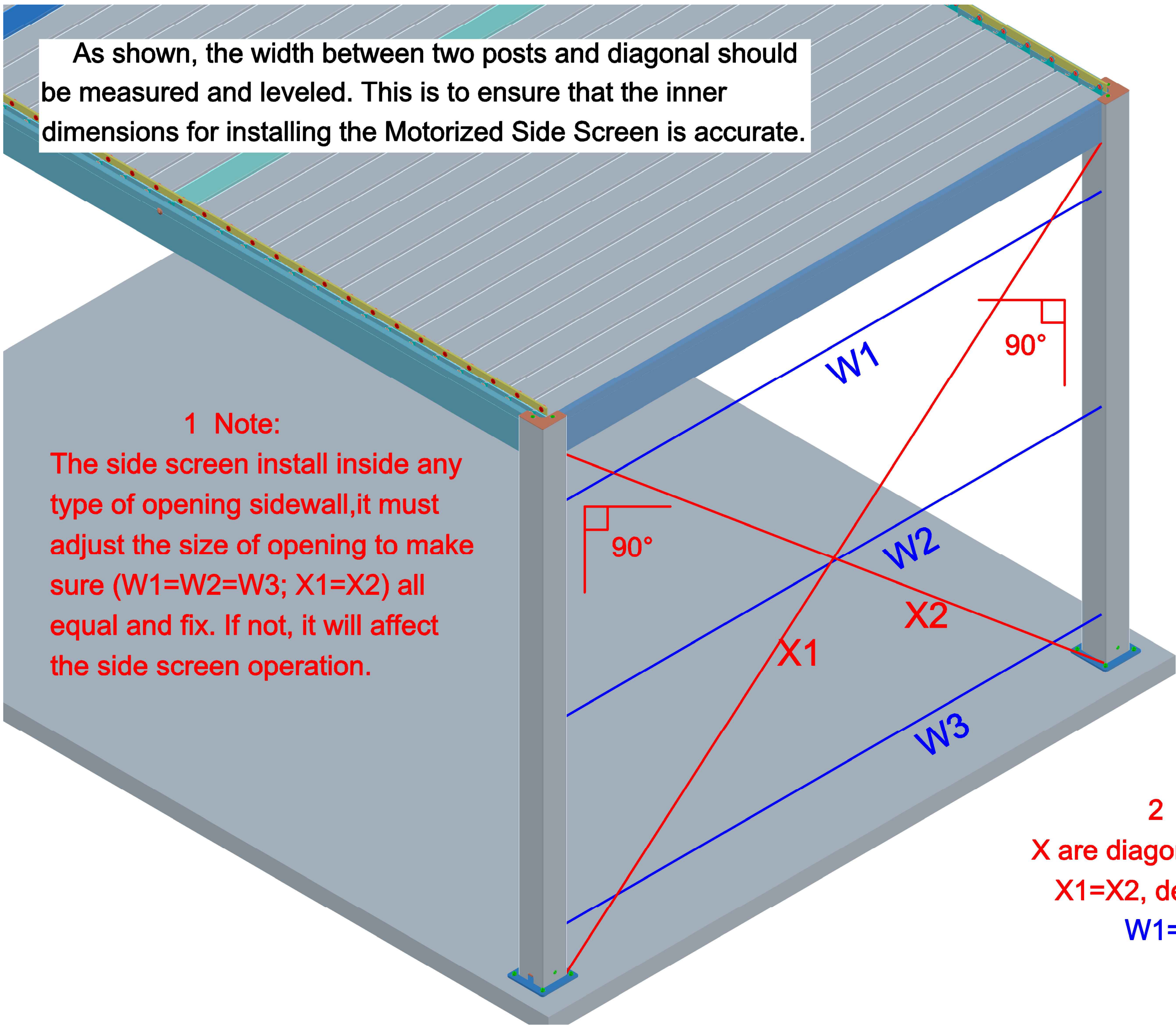
MOTORISED SUNSHADING SIDE SCREEN

INSTALLATIONS INSTRUCTION

As shown, the width between two posts and diagonal should be measured and leveled. This is to ensure that the inner dimensions for installing the Motorized Side Screen is accurate.

1 Note:

The side screen install inside any type of opening sidewall, it must adjust the size of opening to make sure $(W1=W2=W3; X1=X2)$ all equal and fix. If not, it will affect the side screen operation.

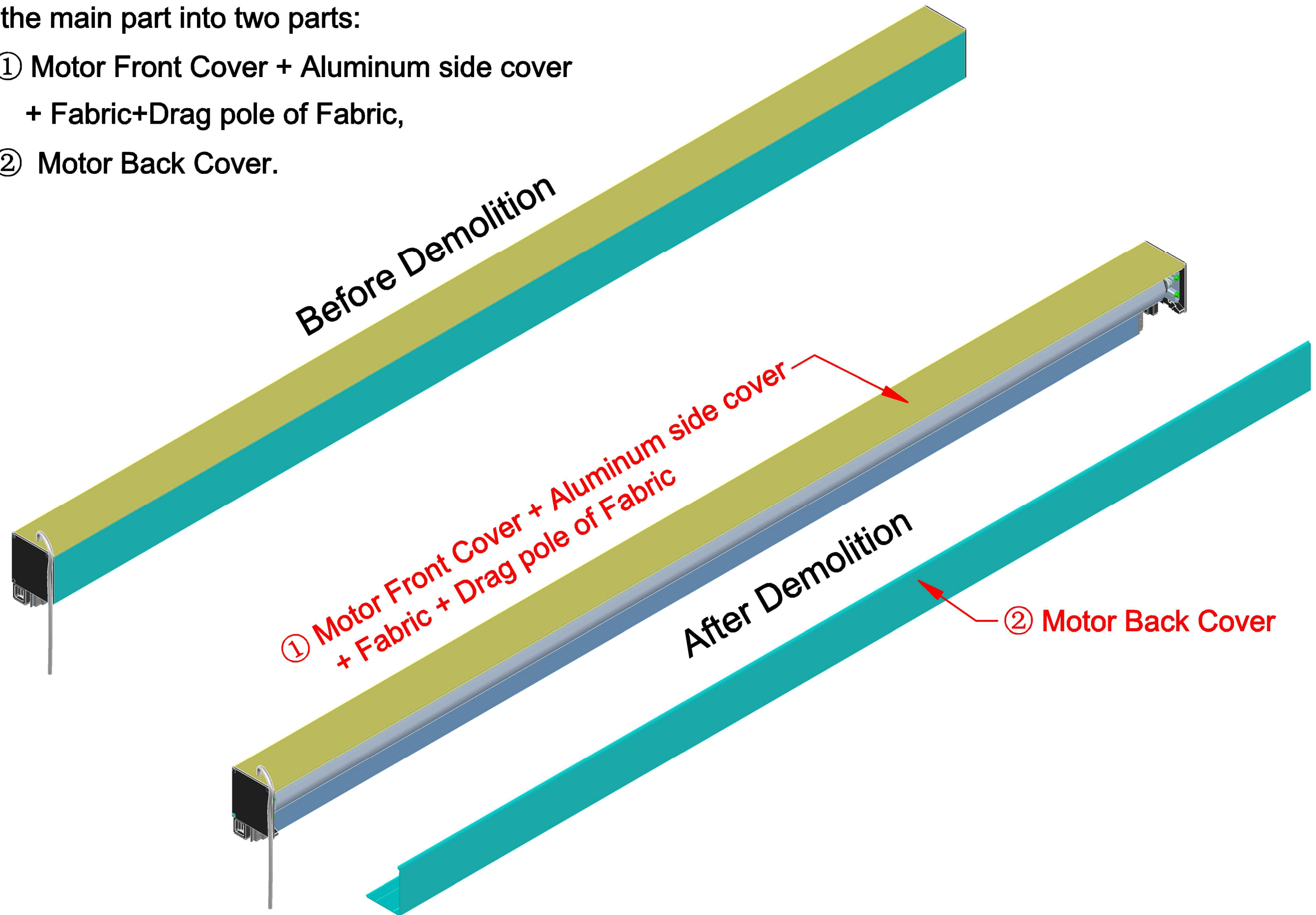


2 Note:

X are diagonal, W are width.
 $X1=X2$, deviation $\leq 3\text{mm}$
 $W1=W2=W3$

1、 Remove the screw(on the "Motor Back Cover") to seperate the main part into two parts:

- ① Motor Front Cover + Aluminum side cover
+ Fabric+Drag pole of Fabric,
- ② Motor Back Cover.

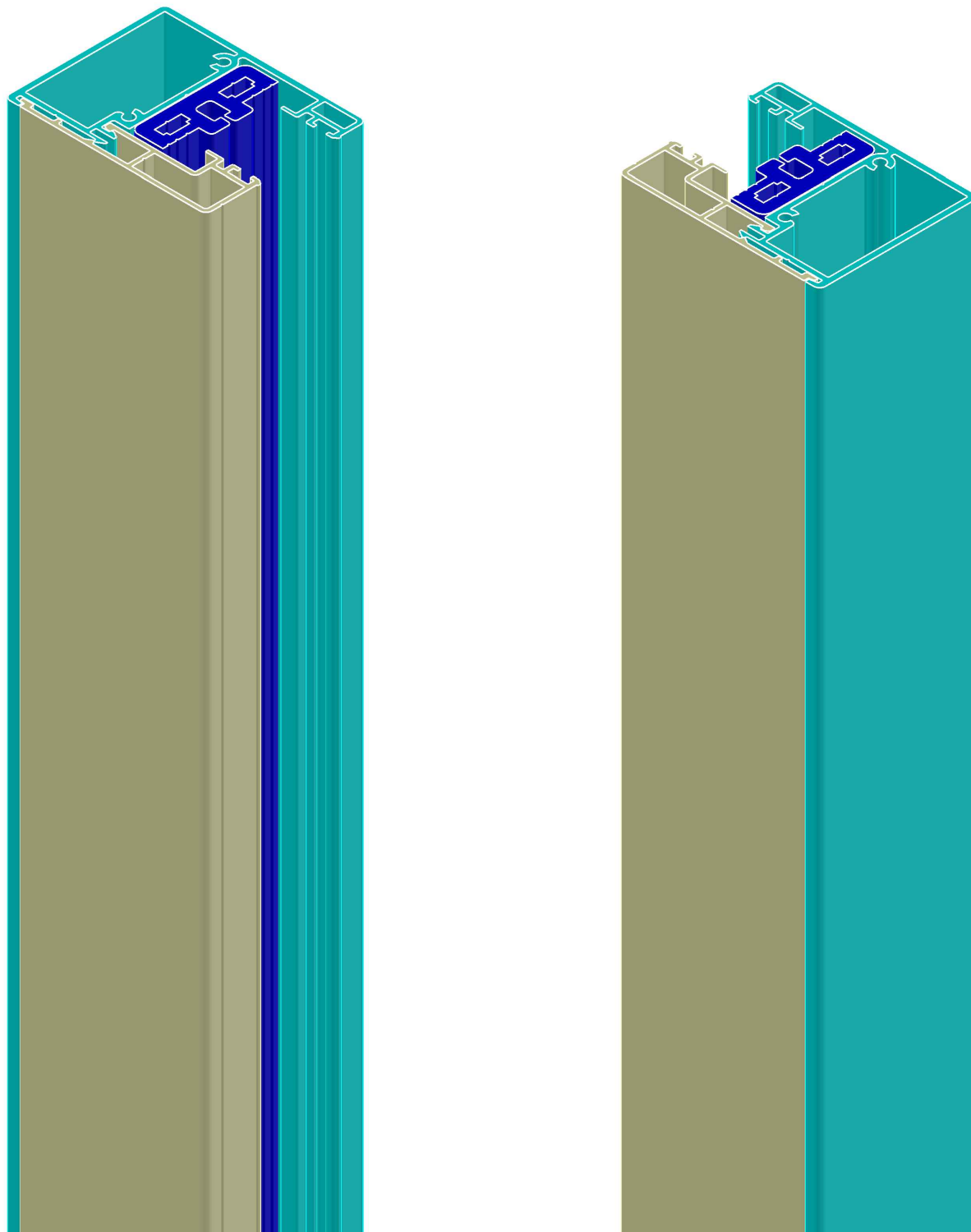


2、 As shown, split the rails into 3 small parts: Rail 1, Rail 2 and Plastic.

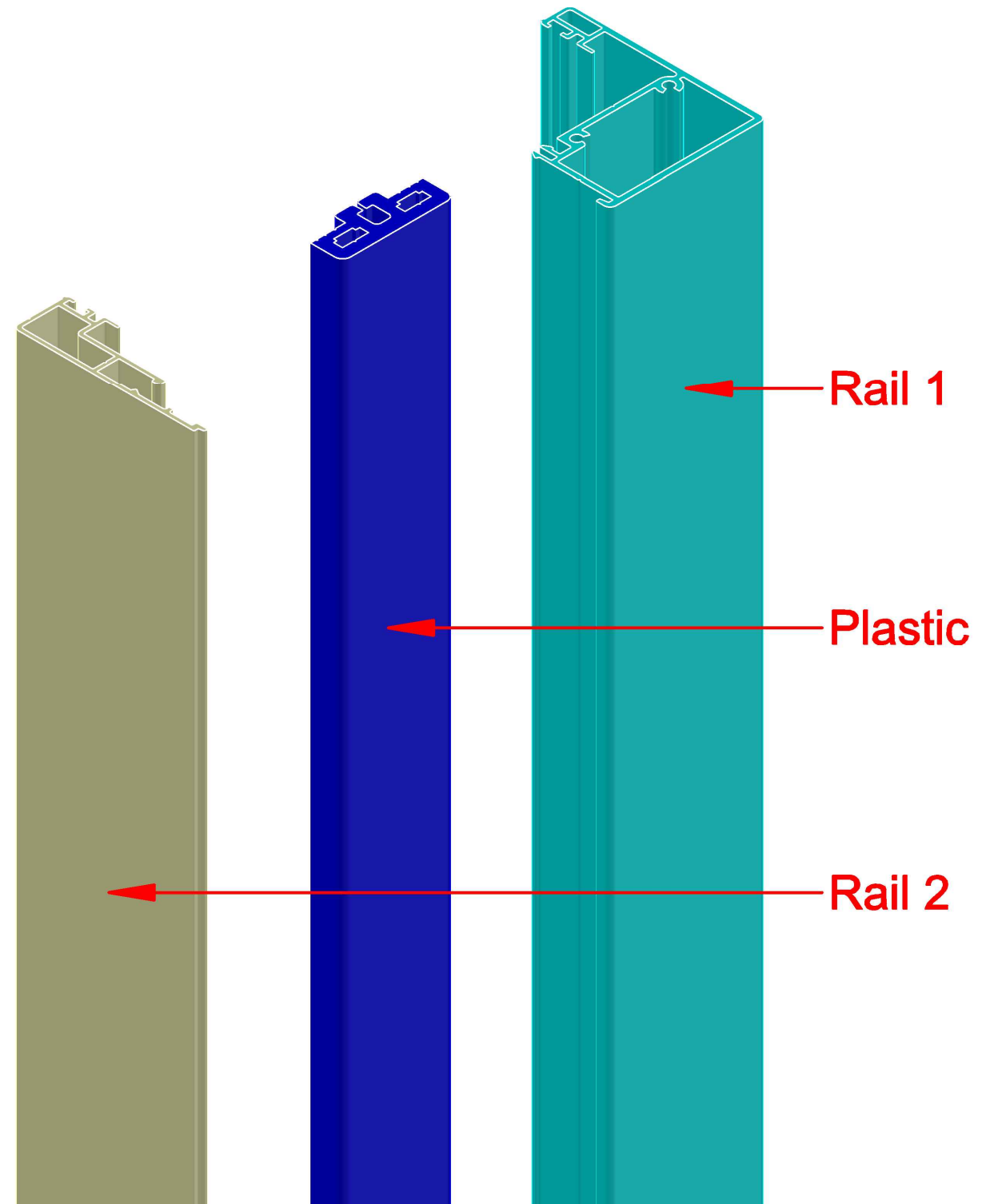
Note:

The plastic cover at the bottom of the "Rail 1"
does not affect the disassembly of the rail
and does not need to be removed

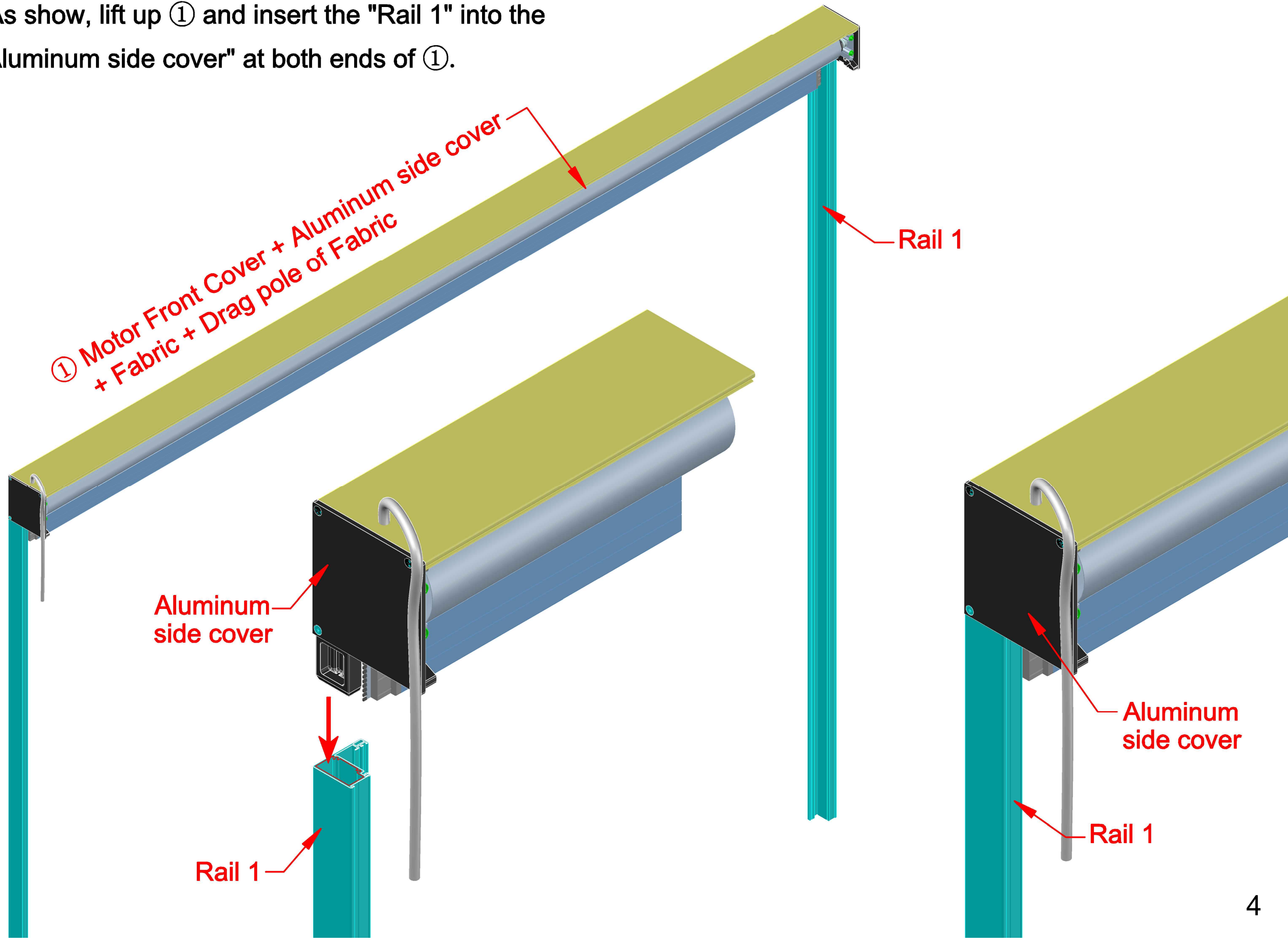
Before Demolition



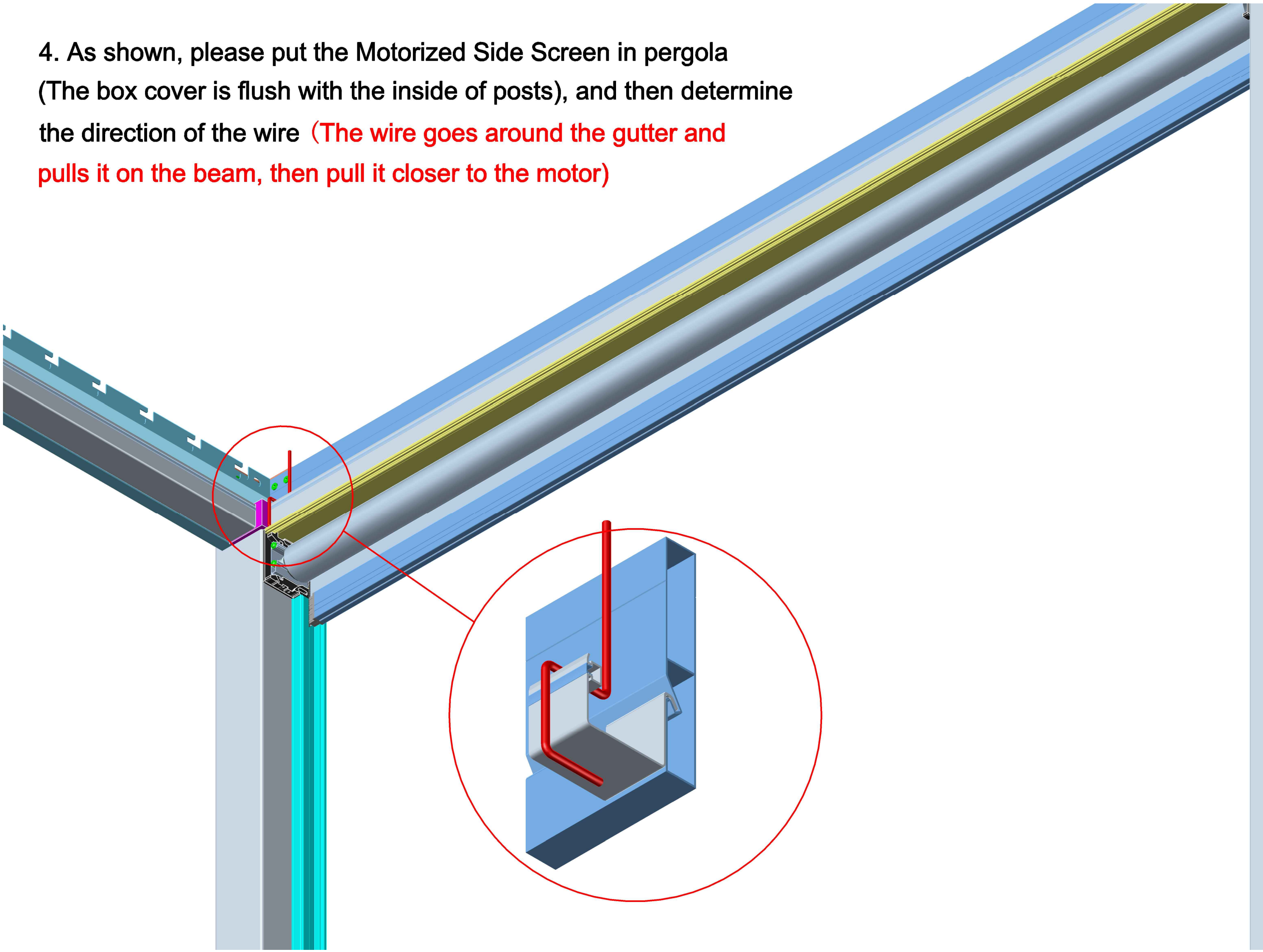
After Demolition



3、 As show, lift up ① and insert the "Rail 1" into the "Aluminum side cover" at both ends of ①.

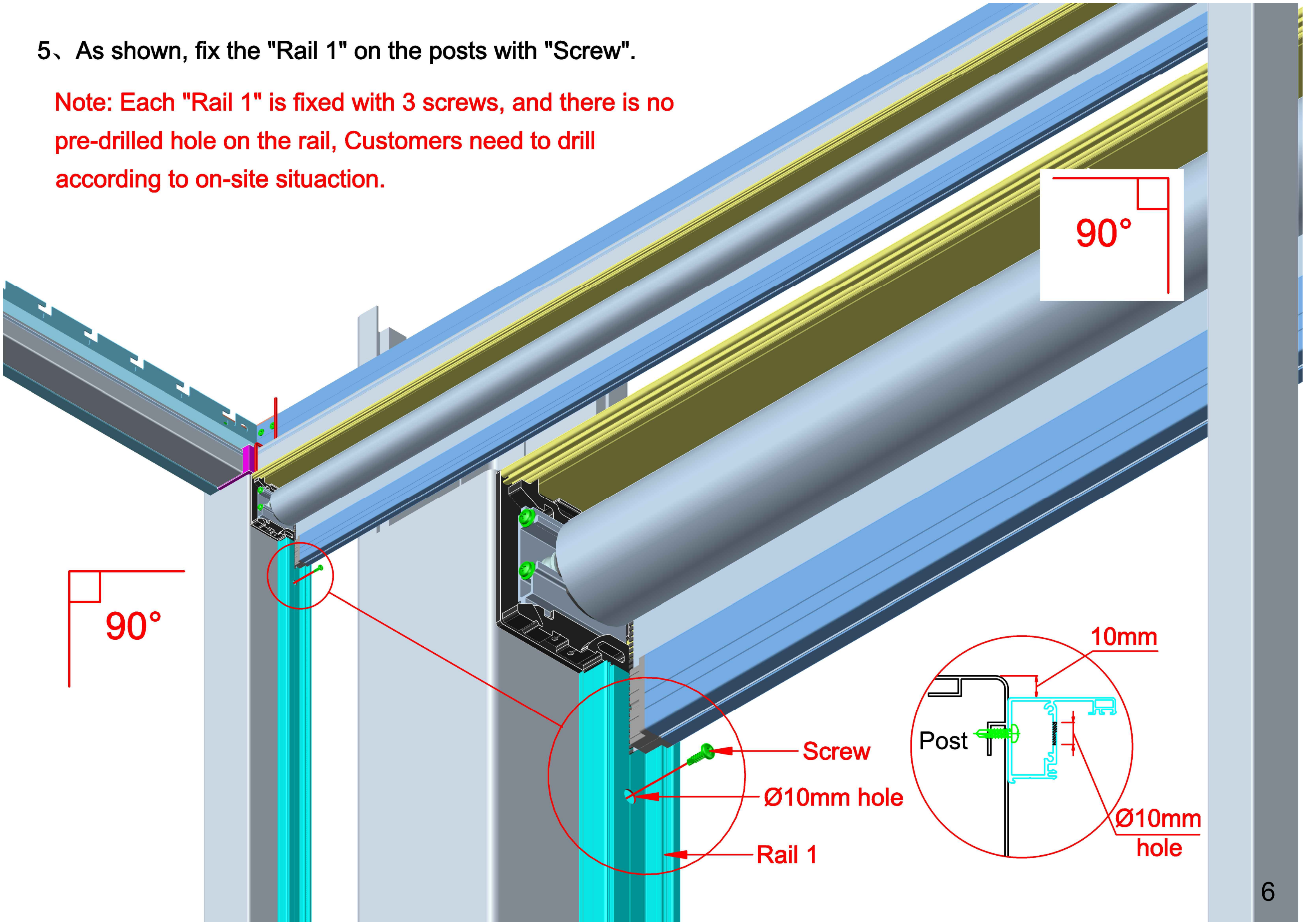


4. As shown, please put the Motorized Side Screen in pergola
(The box cover is flush with the inside of posts), and then determine
the direction of the wire (The wire goes around the gutter and
pulls it on the beam, then pull it closer to the motor)

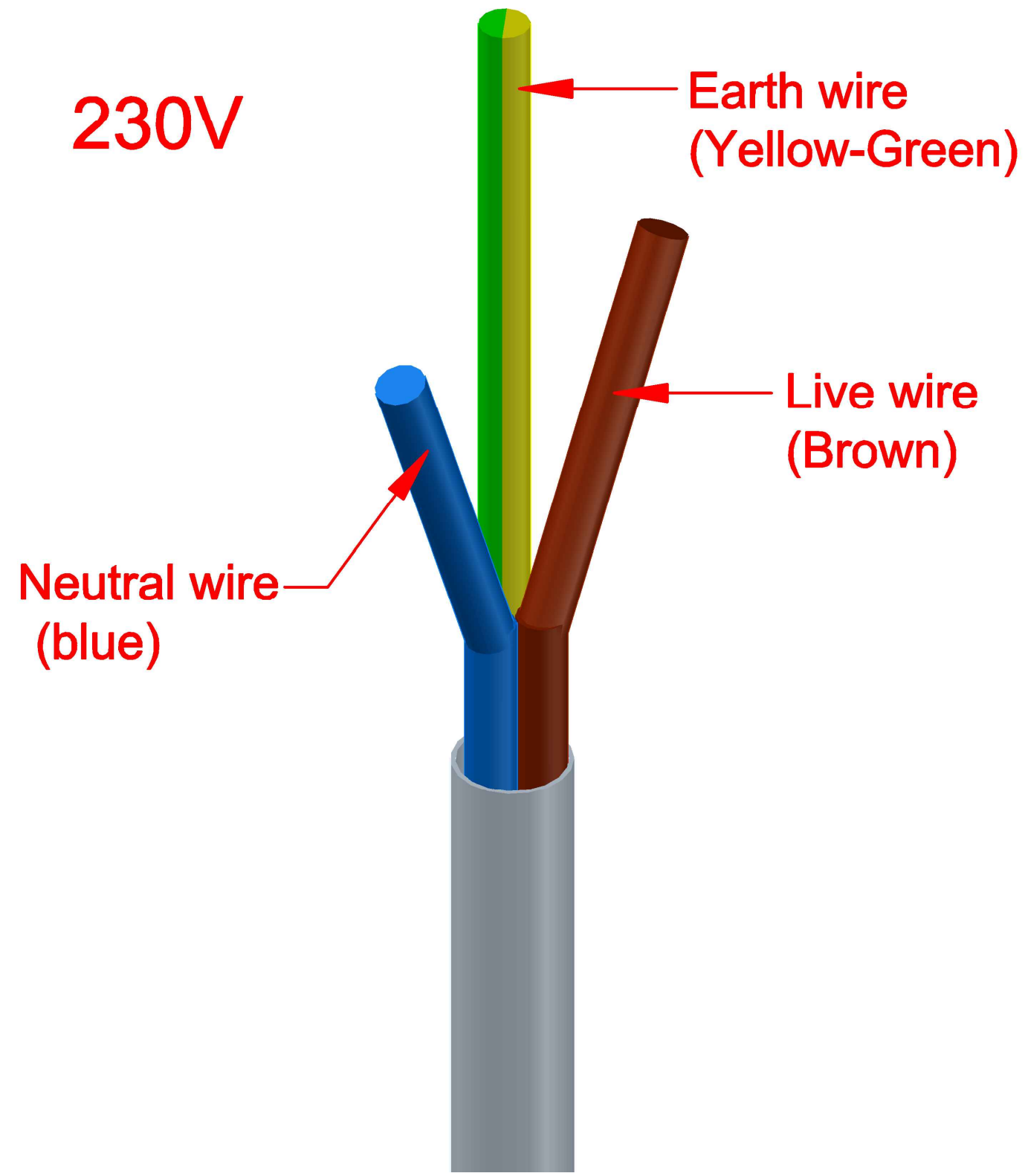


5、 As shown, fix the "Rail 1" on the posts with "Screw".

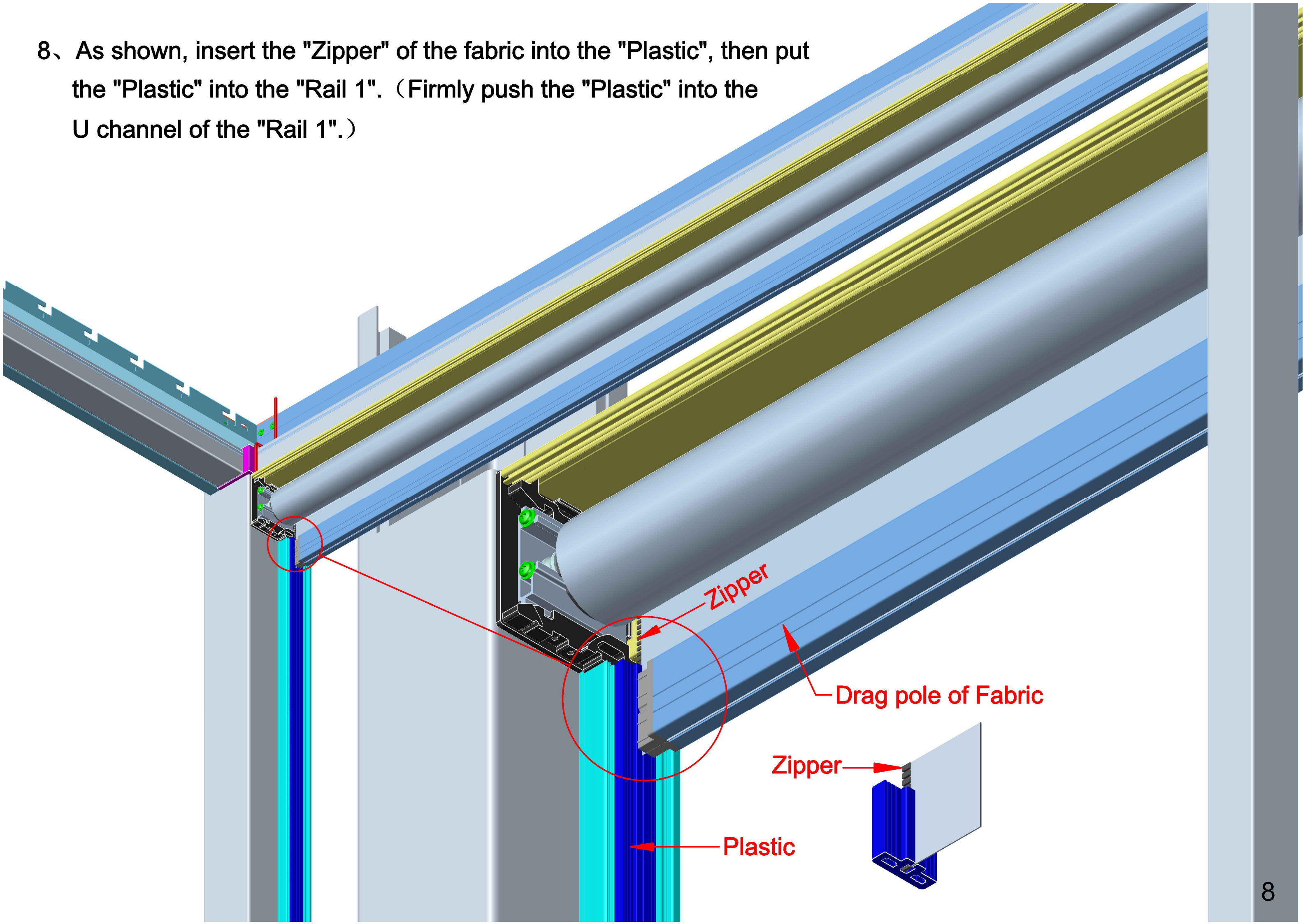
Note: Each "Rail 1" is fixed with 3 screws, and there is no pre-drilled hole on the rail, Customers need to drill according to on-site situation.



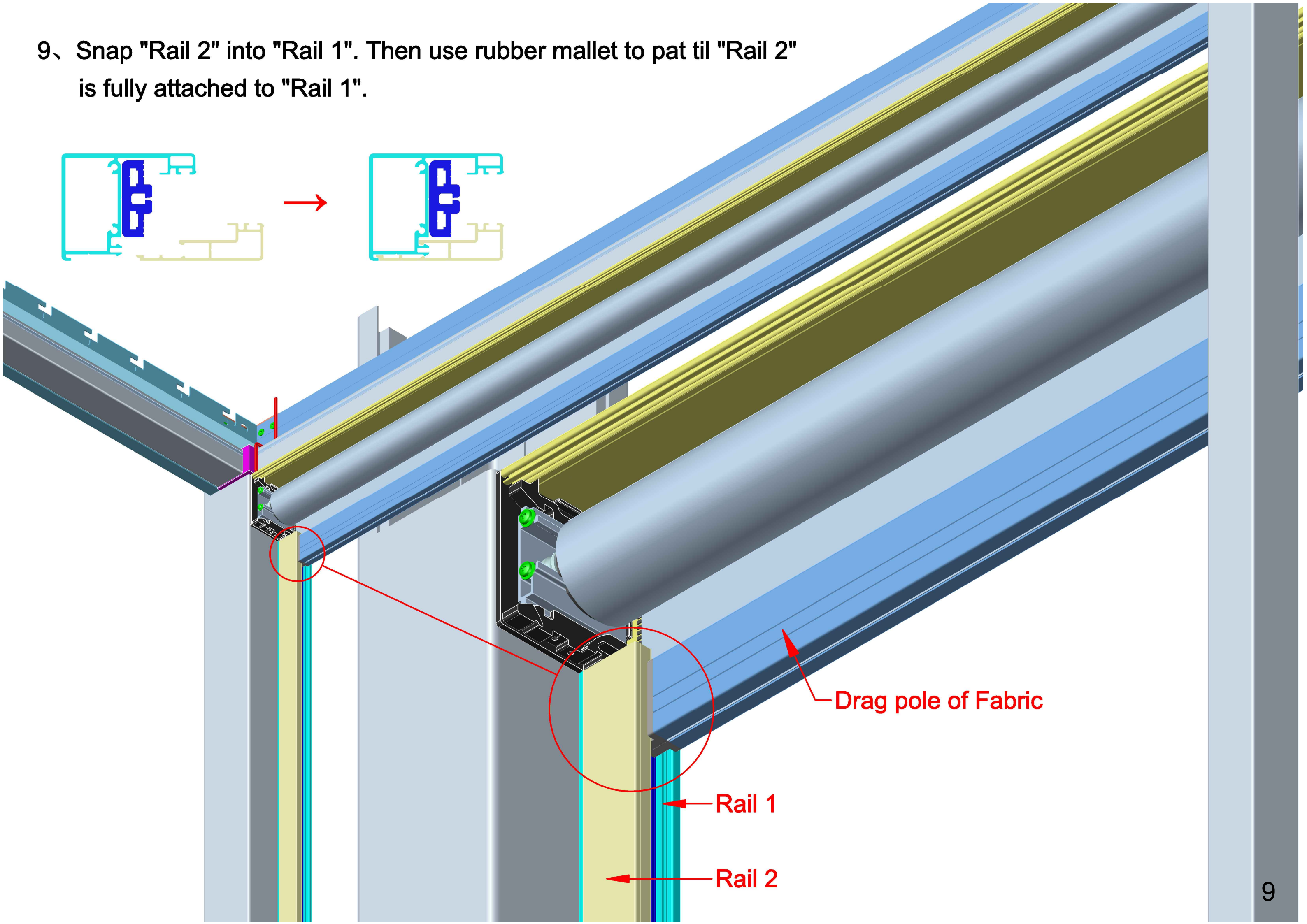
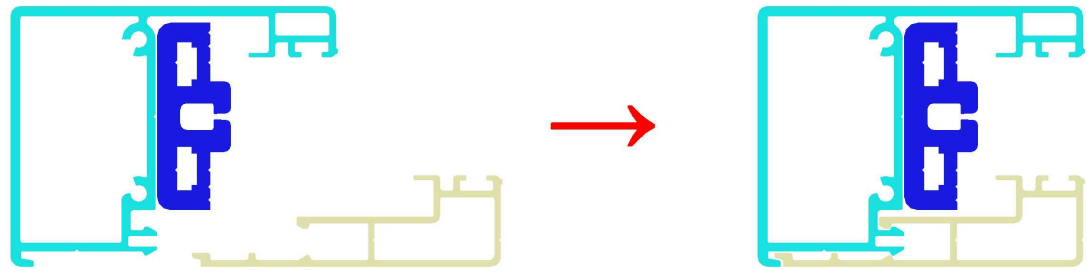
- 6、 Install the plug.
- 7、 The Motorized Slide Screen has been adjusted for UP / DOWN limit position, customers only need to press the up and down keys to confirm the limit. Please check the motor manual if any questions.



8、 As shown, insert the "Zipper" of the fabric into the "Plastic", then put the "Plastic" into the "Rail 1". (Firmly push the "Plastic" into the U channel of the "Rail 1".)



9、 Snap "Rail 2" into "Rail 1". Then use rubber mallet to pat til "Rail 2" is fully attached to "Rail 1".

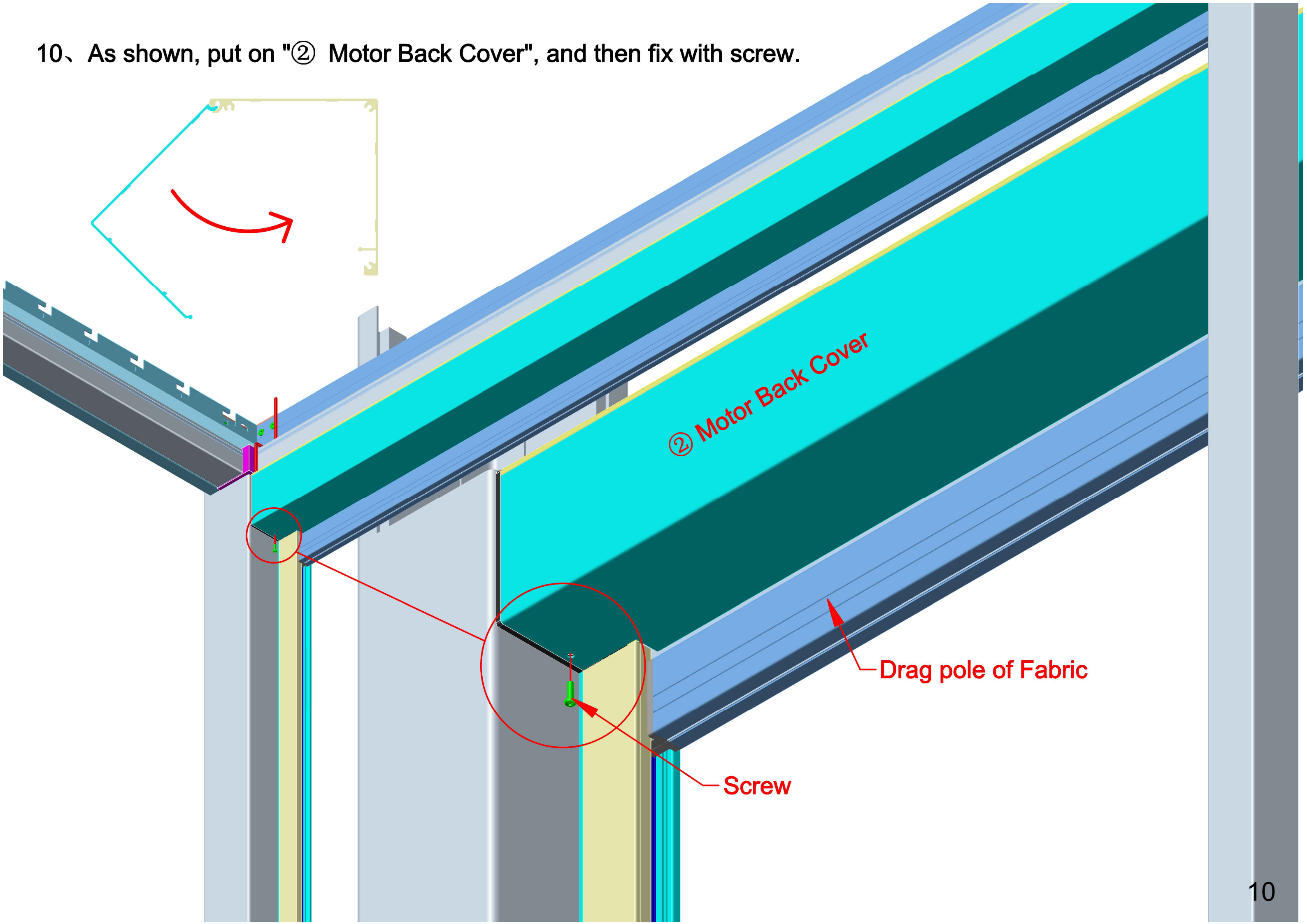


Drag pole of Fabric

Rail 1

Rail 2

10、 As shown, put on "② Motor Back Cover", and then fix with screw.



11、 As show, apply silicone sealant on all the gaps between the side screen and the pergola.

