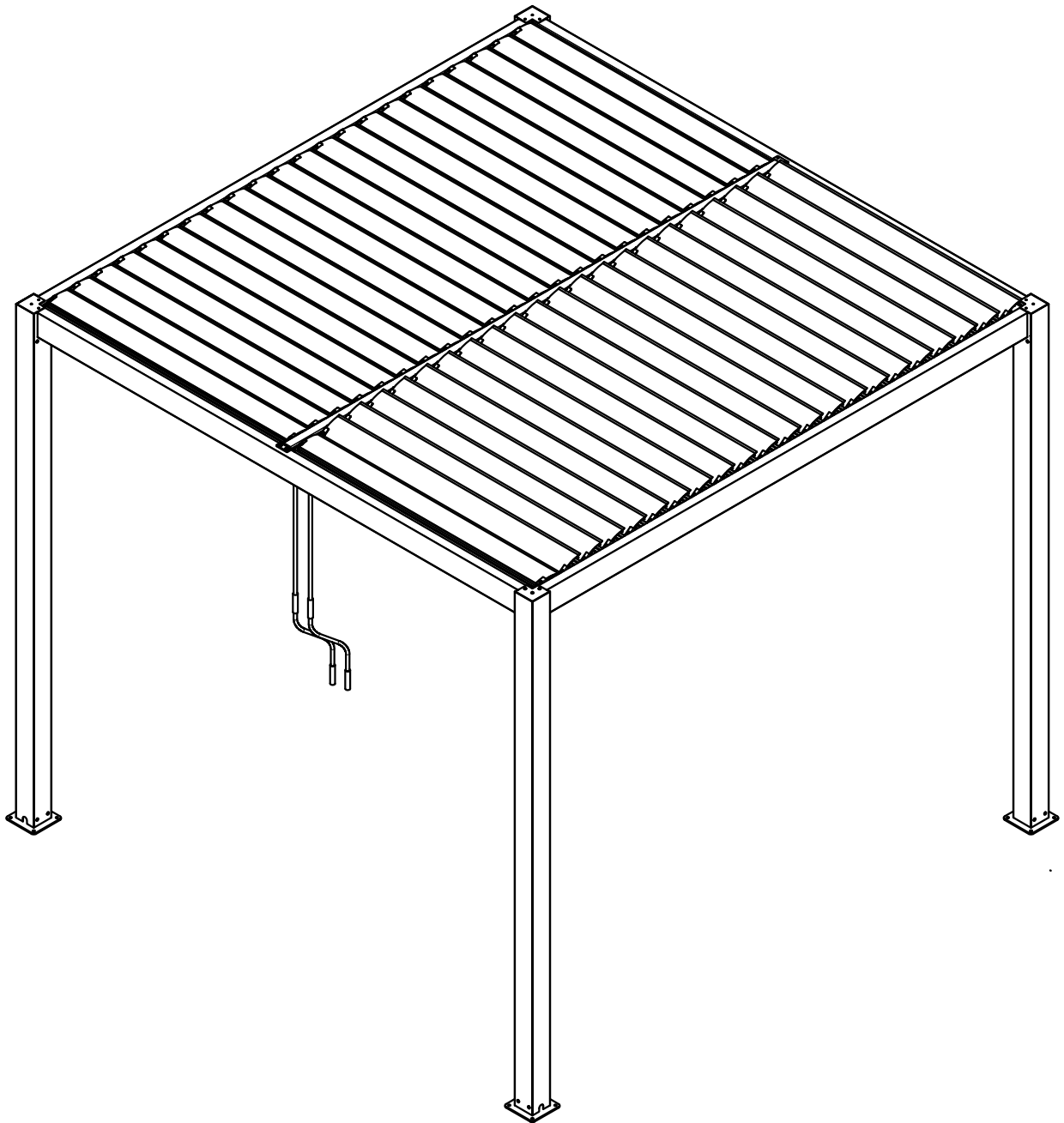




PERGOLAS

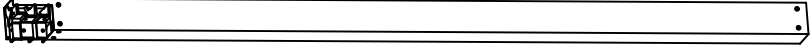
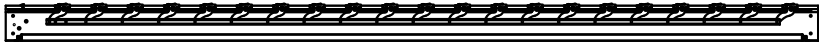



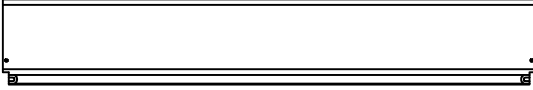
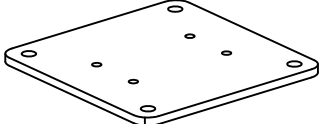
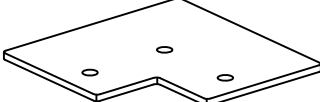
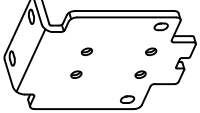
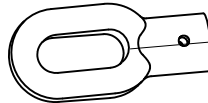

Assembly Instructions for Pergolas (3x3m, 3x4m, 4x4m)



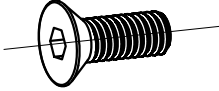
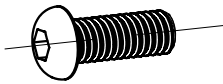
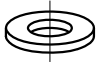
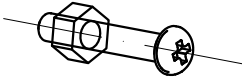
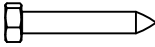

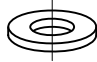
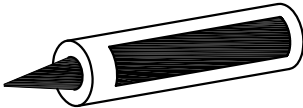
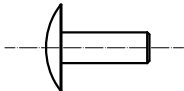

IMPORTANT - RETAIN FOR FUTURE REFERENCE



PERGOLA SPARE PARTS LIST

Part No.	Part Description	Drawing	QTY
A1 / A2	Column		4
B1	Beam (left)		1
B2	Beam (right)		1
C	Front and rear beams		2
D	Middle beam		1
E	Slat		3x3=44 3x4=60 4x4=60
F	Column bottom plate		4
G	Column cover plate		4
H	Connectors for middle beams		2
I	Hinge ring		2
J	Hand crank		2

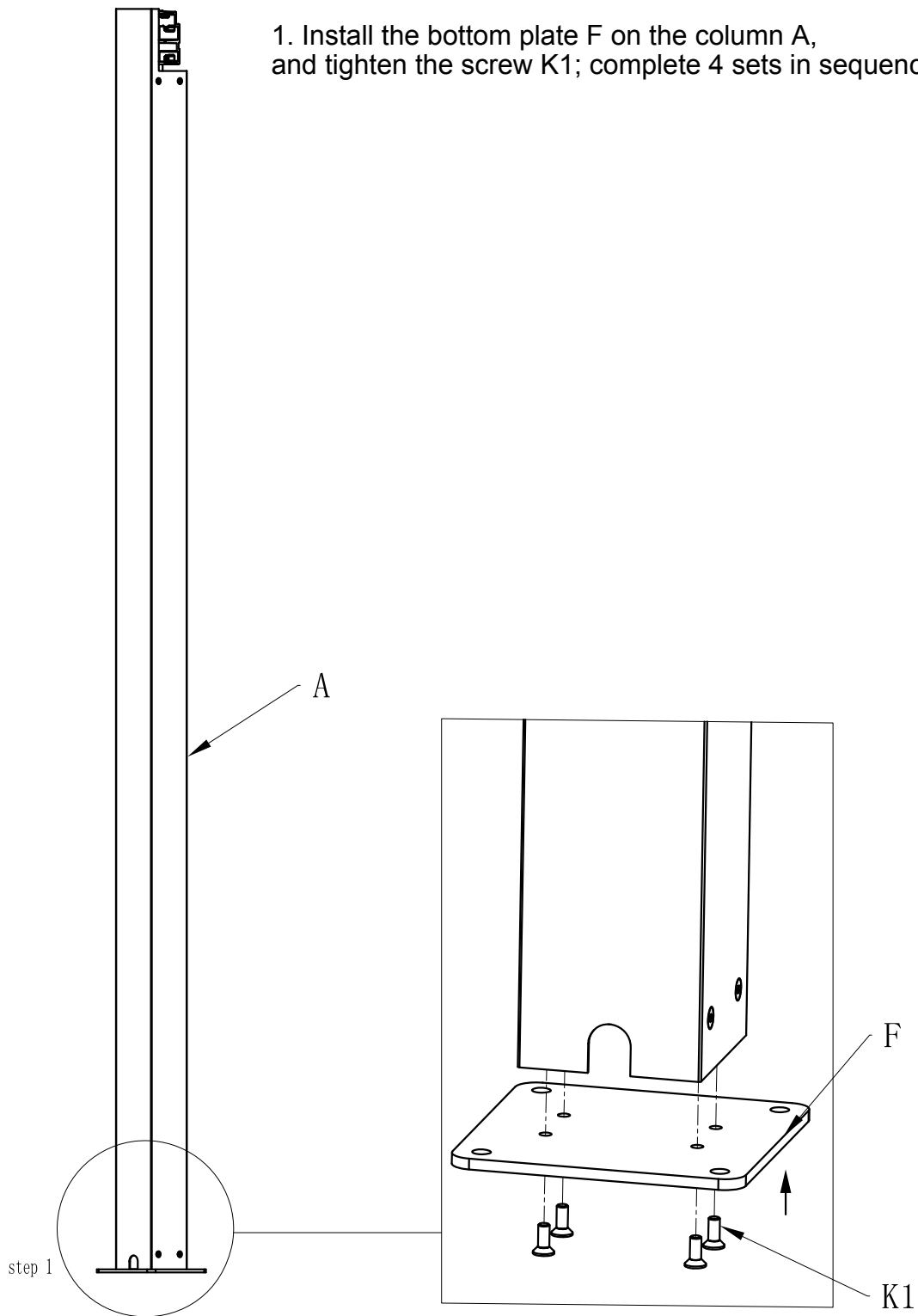
PERGOLA SPARE PARTS LIST

Part No.	Part Description	Drawing	QTY
K1	Countersunk head screw	 M6x16	40+2
K2	Pan head screw	 M6x16	20+2
K3	Flat washer	 D6x12	8+2
K4	Screw and nut	 M4x25	2
L	- Wood-working screw - Rawlplug - Flat washer	 M8x80  ϕ 10x50  ϕ 8	16
M	Silicone glue		1
N	Plastic jam		3x3=88 3x4=120 4x4=120
P	Remote control		1

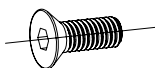
Pergola

Assembly instructions

1. Install the bottom plate F on the column A, and tighten the screw K1; complete 4 sets in sequence.

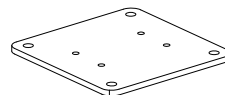


K1



QTY: 16PCS

F

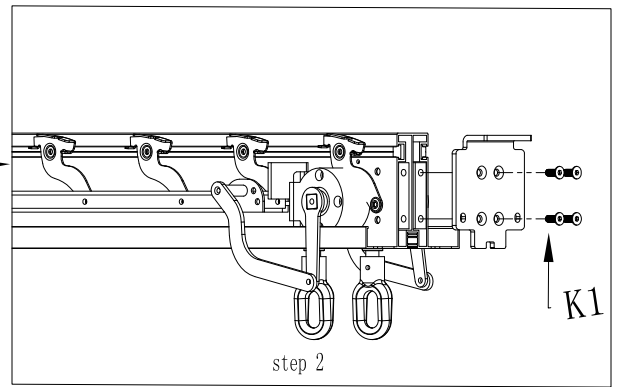
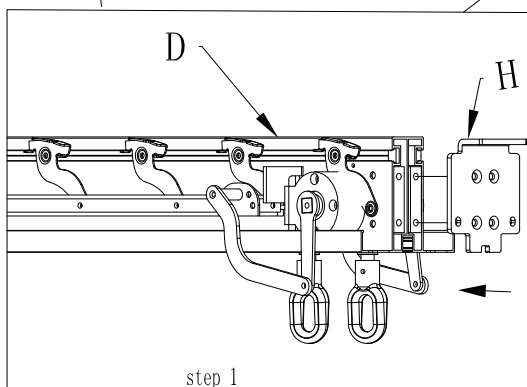
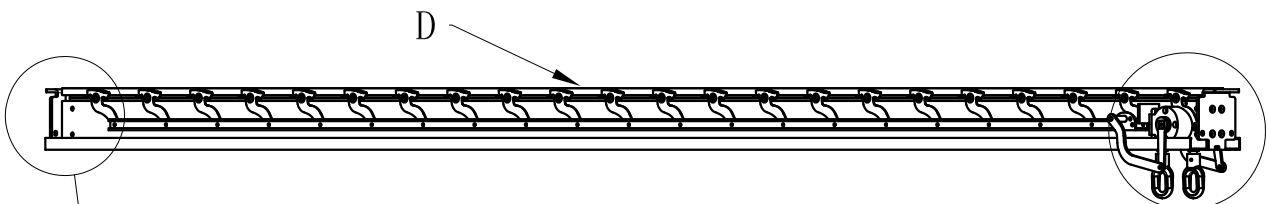


QTY: 4PCS

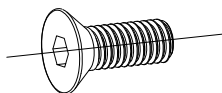
Pergola

Assembly instructions

2. Match the connector H with one side of middle beam D, then tighten the screw K1; then complete the other side.

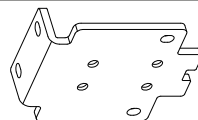


K1



QTY:8PCS

H

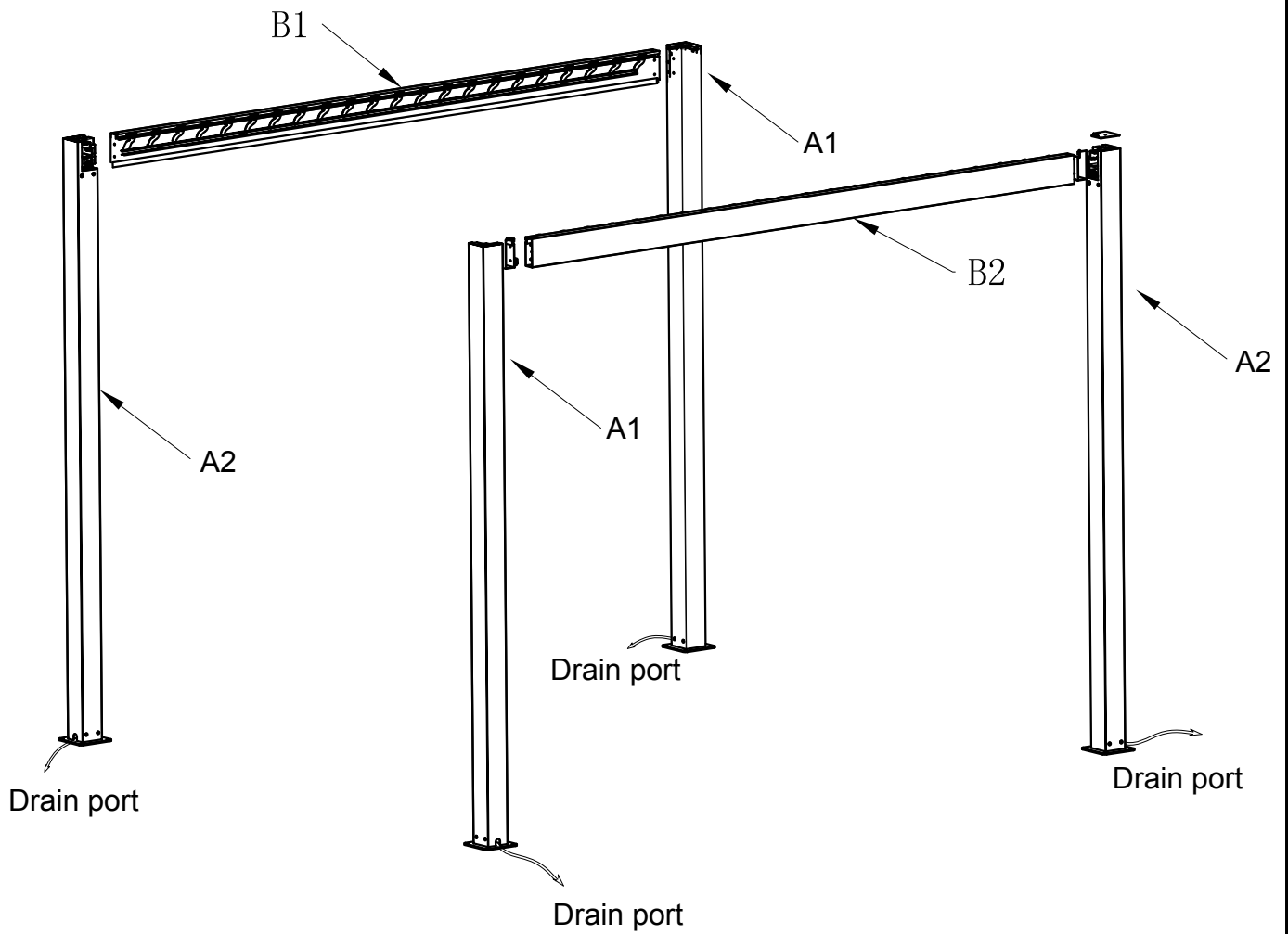


QTY:2PCS

Pergola

Assembly instructions

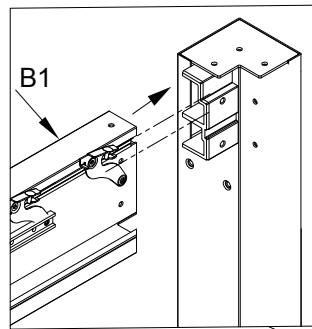
3. On the floor, place the columns and beam as shown in the figure, and note that the drain port of the column faces the same side;



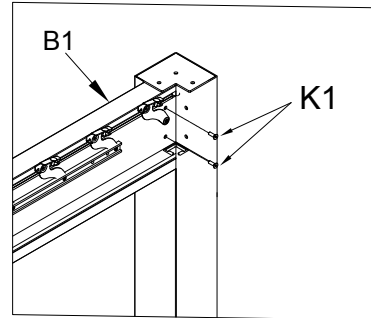
Pergola

Assembly instructions

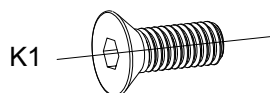
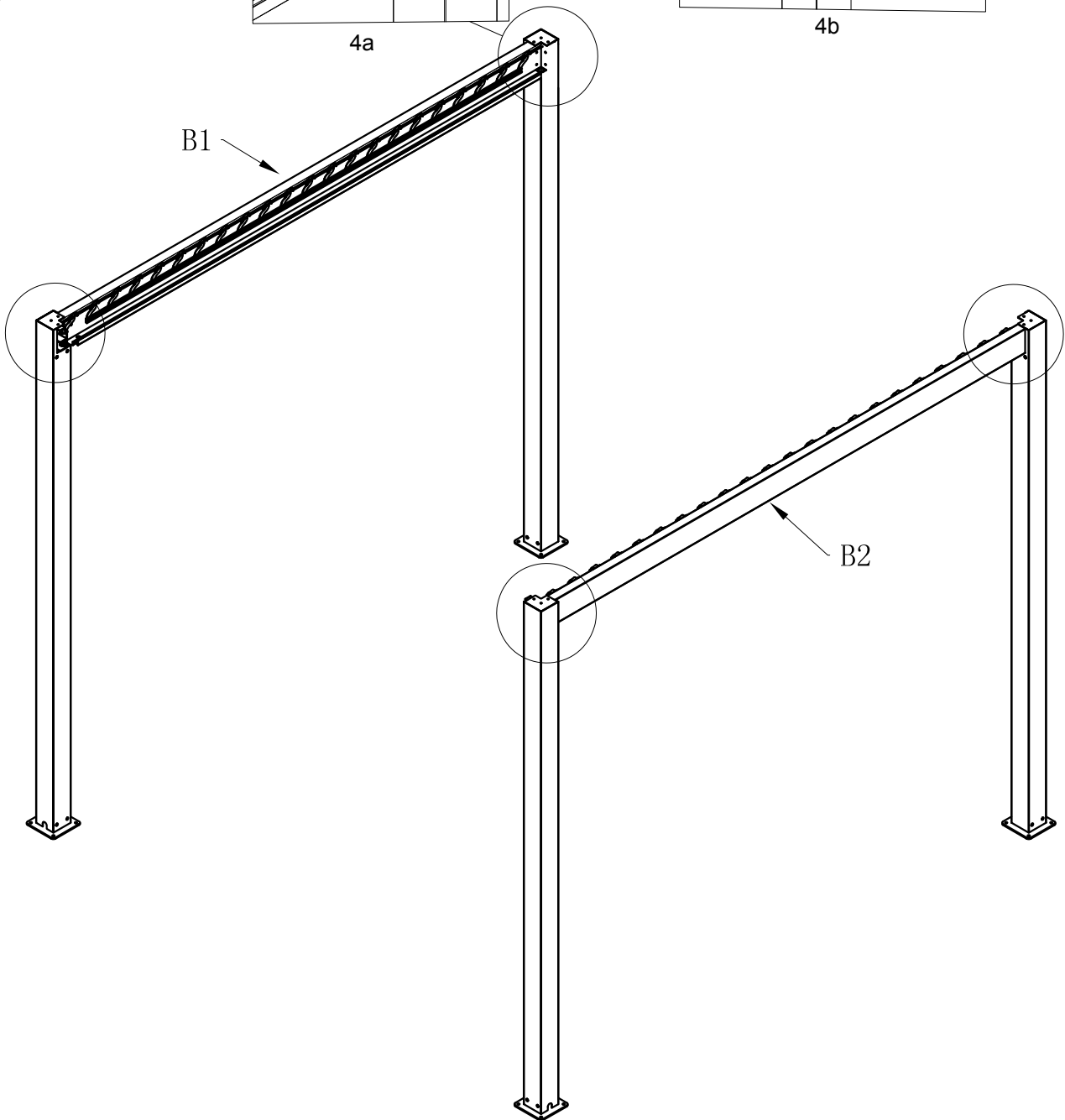
4. Connect B1 / B2 with the columns, respectively, using screws K1 to fasten together. Tighten screws fully.



4a



4b



QTY:8PCS

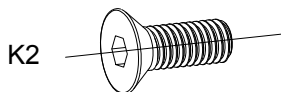
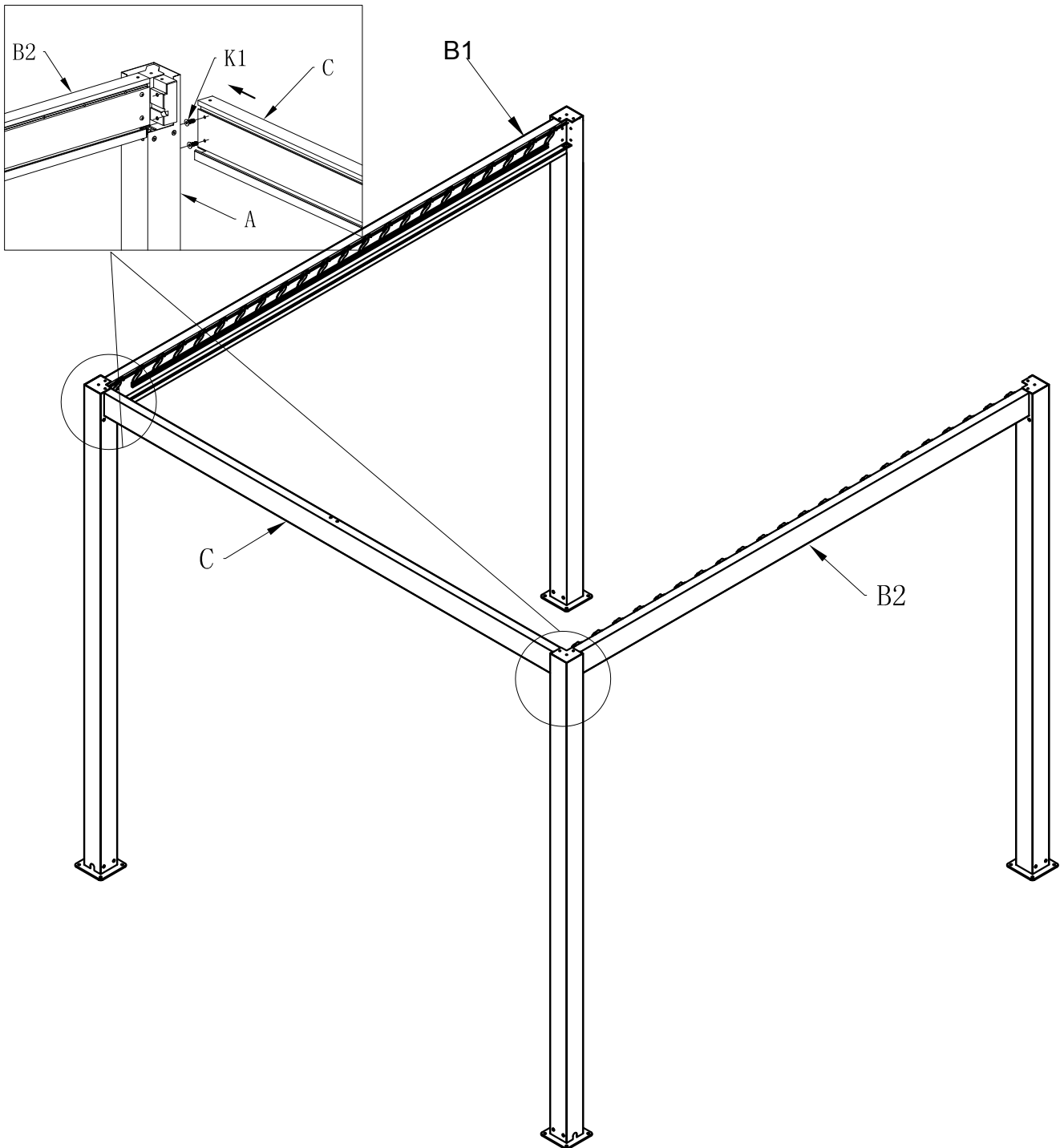
Pergola

Assembly instructions

5a. Carefully erect beam B1 (with connected columns) and hold beam C in place.

5b. Carefully erect beam B2 (with connected columns) and connect to beam C.

5c. Insert and slightly tighten screws K1 (finger tight) to secure beam C to both columns (do not over tighten screws until all columns and beams are in place)



QTY:4PCS

Pergola

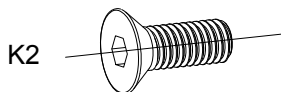
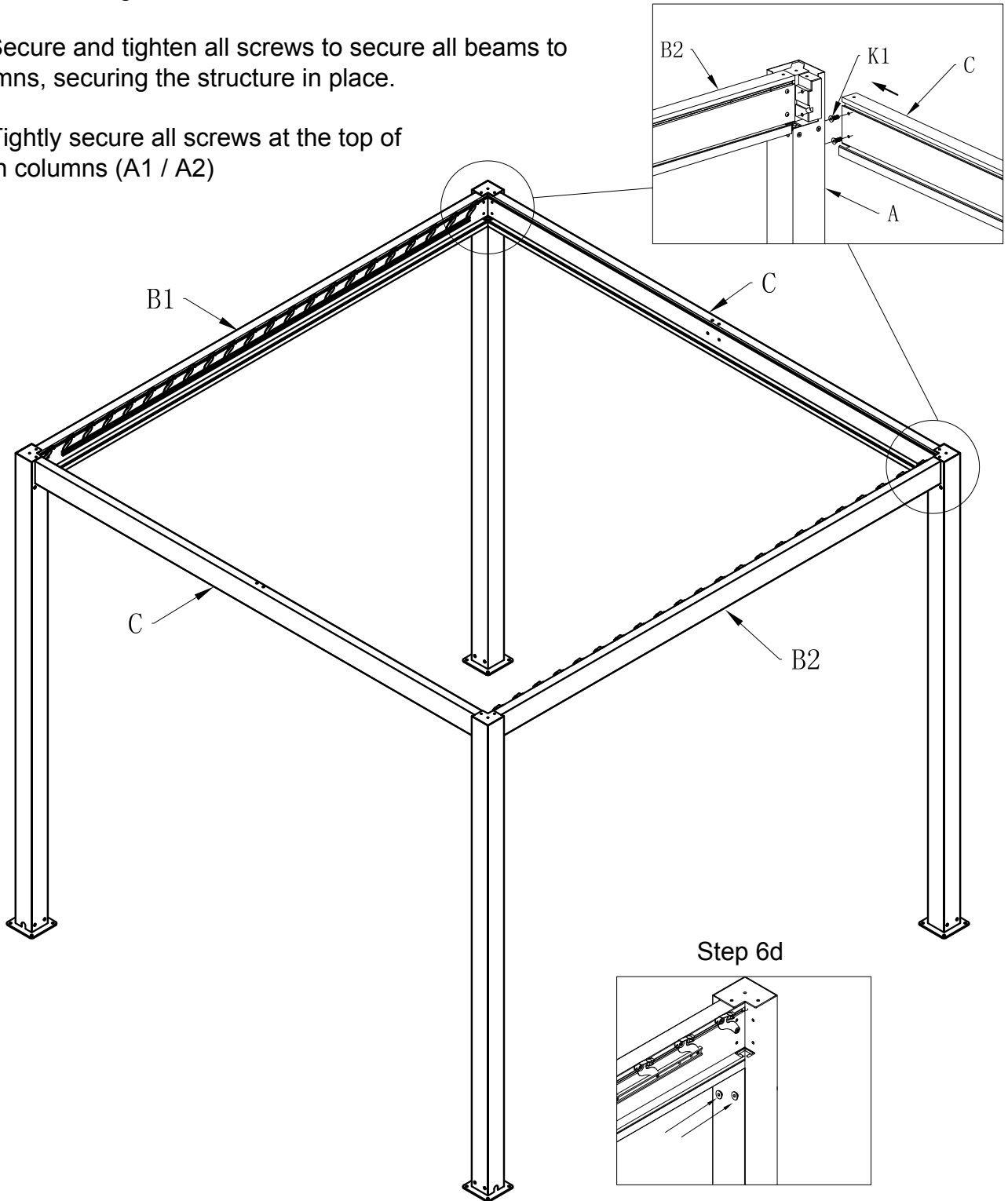
Assembly instructions

6a. Raise beam C and connect to the two remaining columns.

6b. Insert and tighten screws K1 to secure beam C to both columns

6c. Secure and tighten all screws to secure all beams to columns, securing the structure in place.

6d. Tightly secure all screws at the top of each columns (A1 / A2)

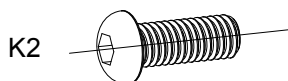
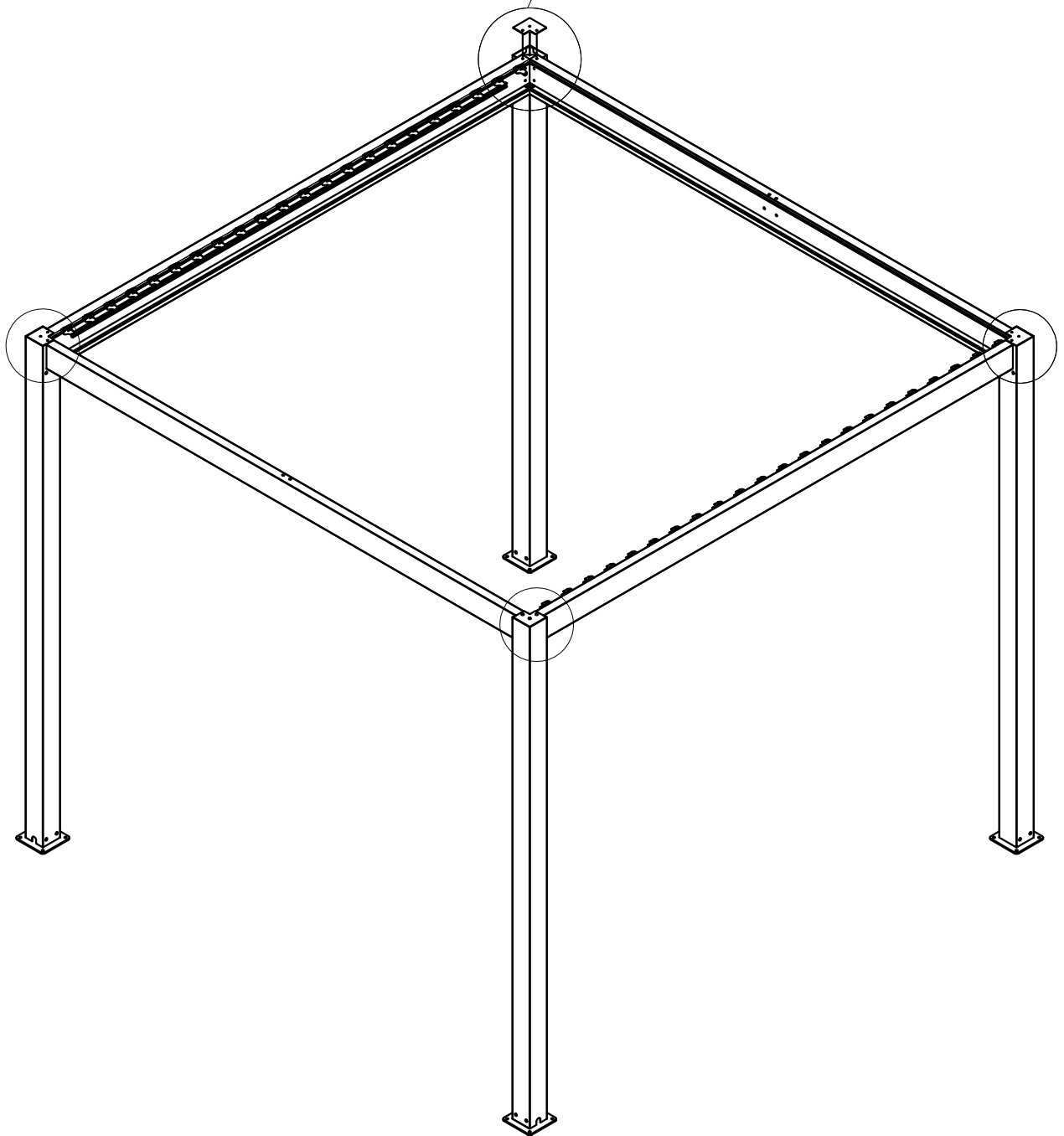
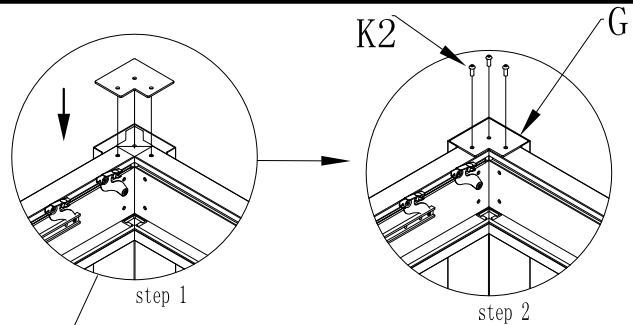


QTY:8PCS

Pergola

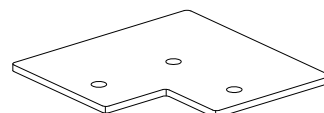
Assembly instructions

7. The 4 column cover plates G are respectively mounted on the corner connectors of the column and the beam, and the screws K2 are tightened in turn;



QTY:12PCS

G

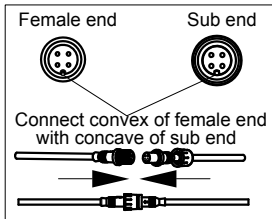


QTY:4PCS

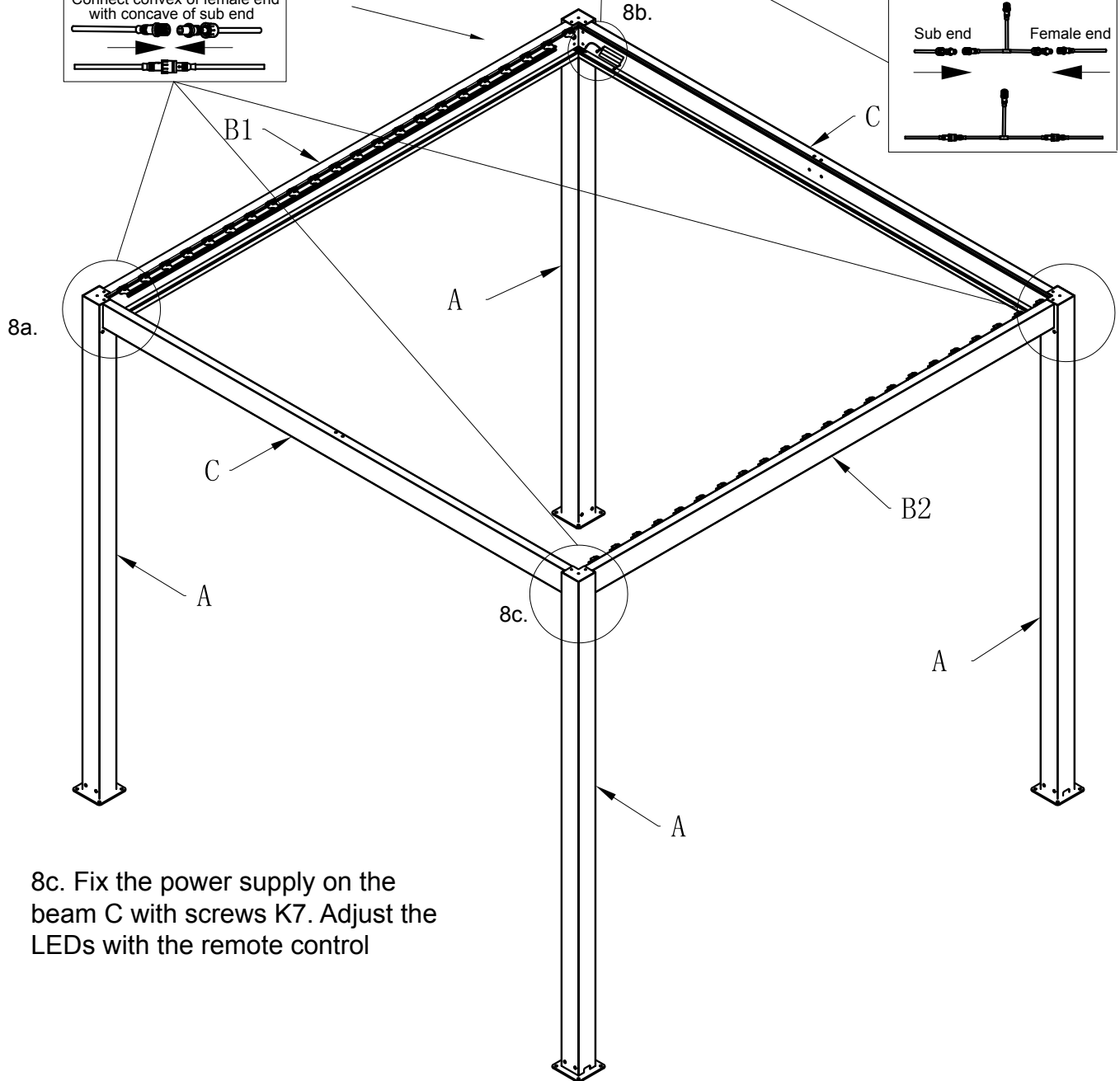
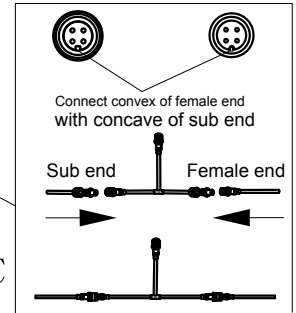
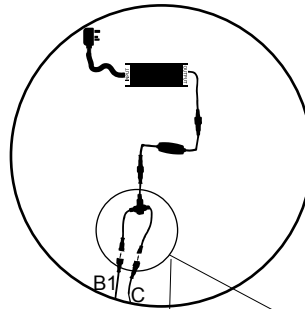
Pergola

Assembly instructions

8a. Connect the sub end of the light bar on beam B2 with the female end of the light bar on the beam C - tighten the cap. Repeat for other 2 corners - expect corner with the power supply.



8b. Ensure power supply output is connect as shown on the left with the 'T' shaped controller connected to the power supply. Connect sub end on beam B1 with the female end of the controller. Tighten screw cap. Connect the female end of beam C with the sub end of the controller. Tighten screw cap.



8c. Fix the power supply on the beam C with screws K7. Adjust the LEDs with the remote control

P



QTY: 1PCS

K7

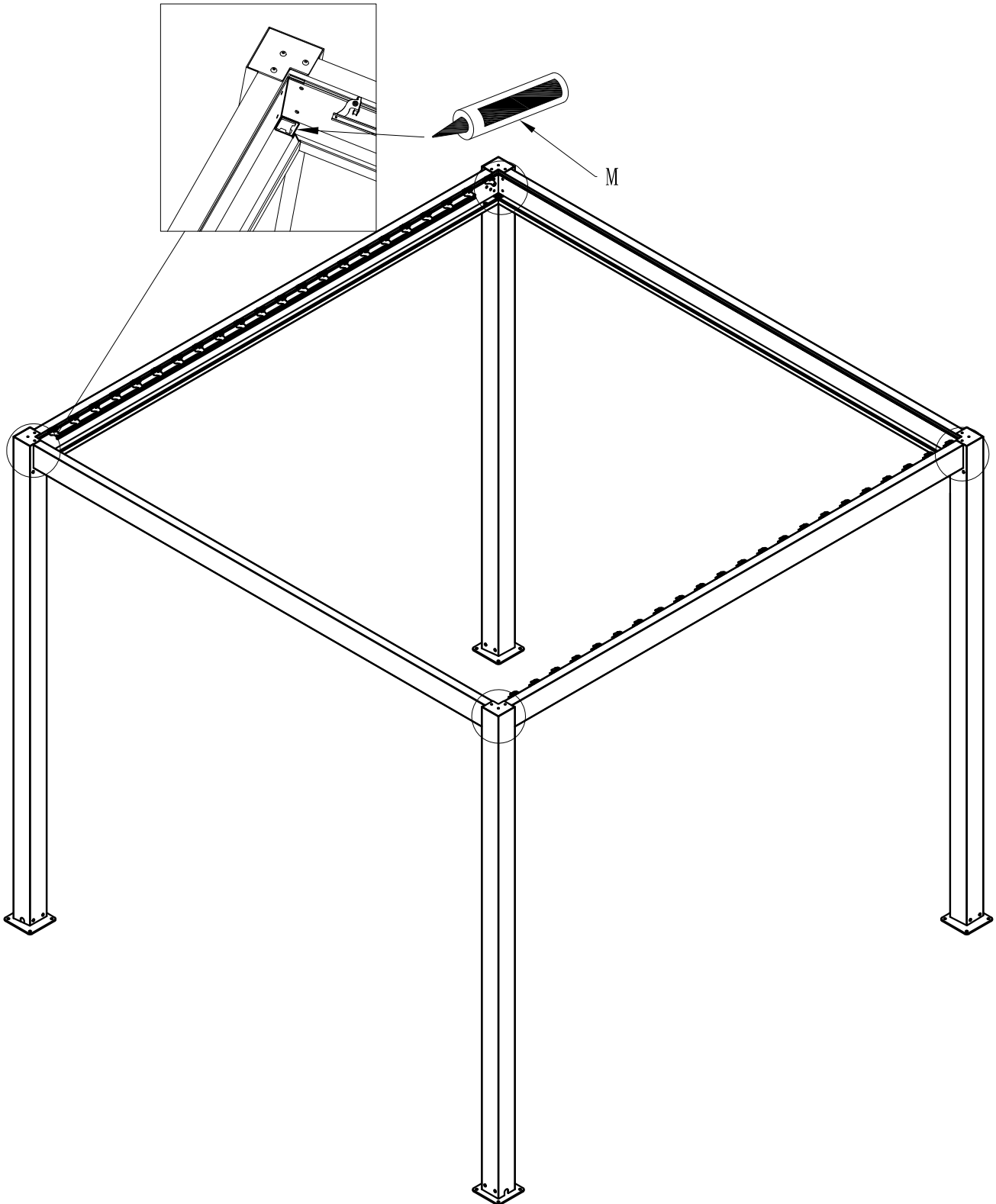


QTY: 2PCS

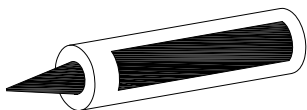
Pergola

Assembly instructions

9. Use the silicone glue (M) on the joints of the beams and columns.



M

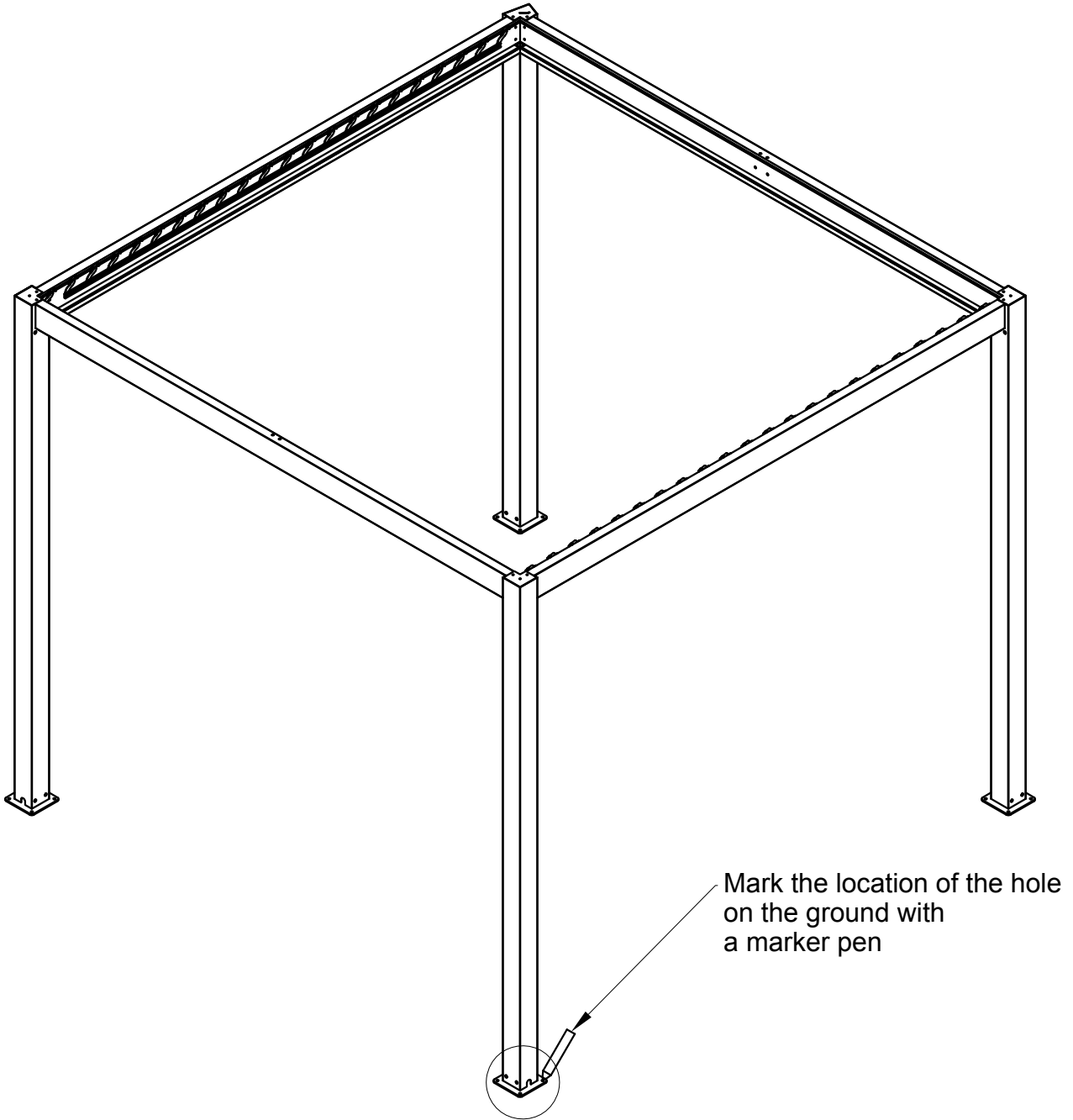


QTY: 1PCS

Pergola

Assembly instructions

10. Adjust the position of the four columns so that they are perpendicular to the ground. Meanwhile, the width of the top of each two columns should be measured in accordance with the width of the bottom of each two columns. Then use a marker pen to mark 16 holes on the ground, which should be corresponding to the holes in the bottom plate.



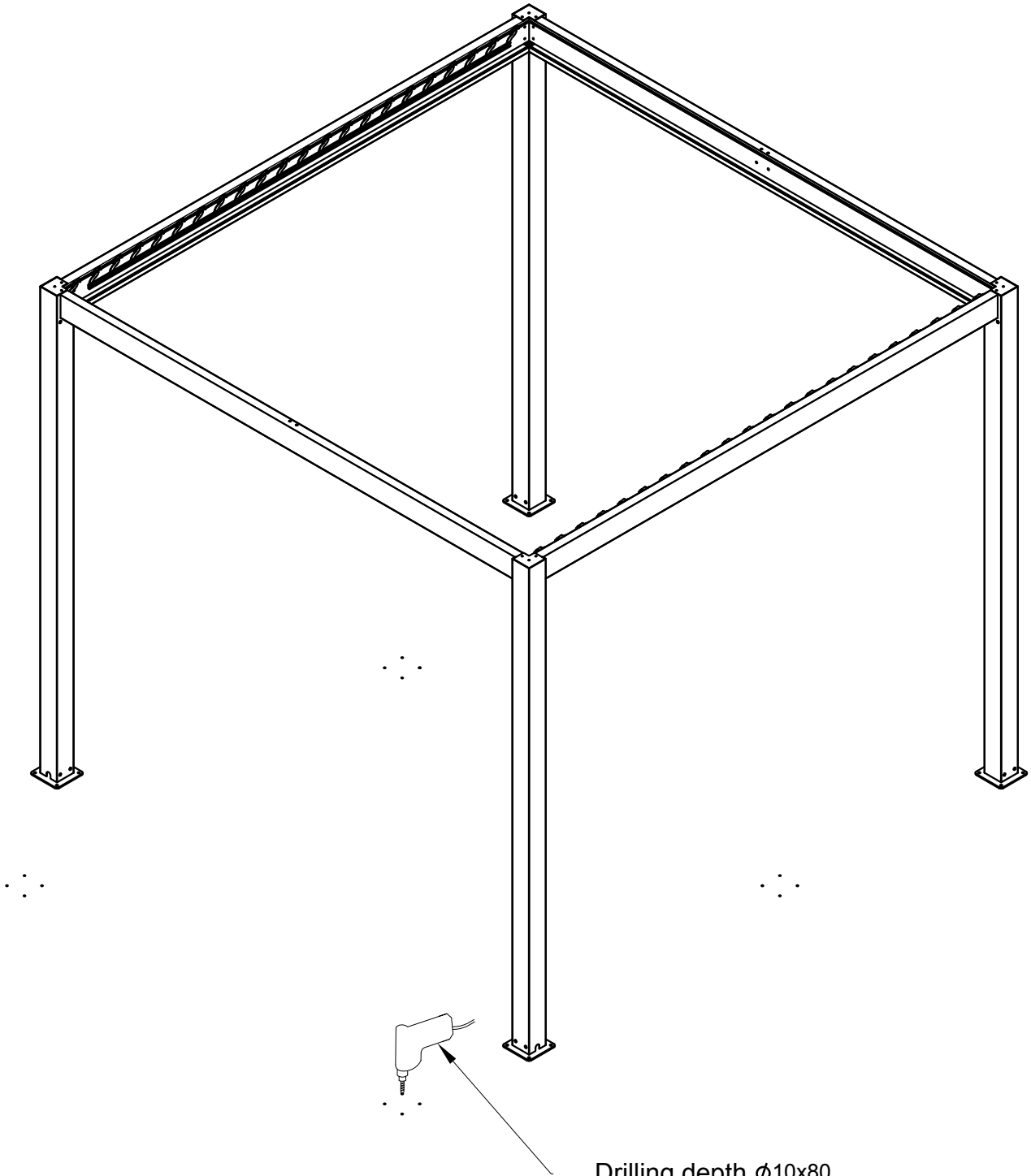
Use tools: marker pen
(self-provided, not supplied)



Pergola

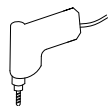
Assembly instructions

11. Remove the product from the mark and drill holes of $\phi 10 \times 80$ at 16 mark positions on the ground with a percussion drill.



Drilling depth $\phi 10 \times 80$
Drilling quantity 16pcs

Use Tools: Percussion Drill
(not provided)



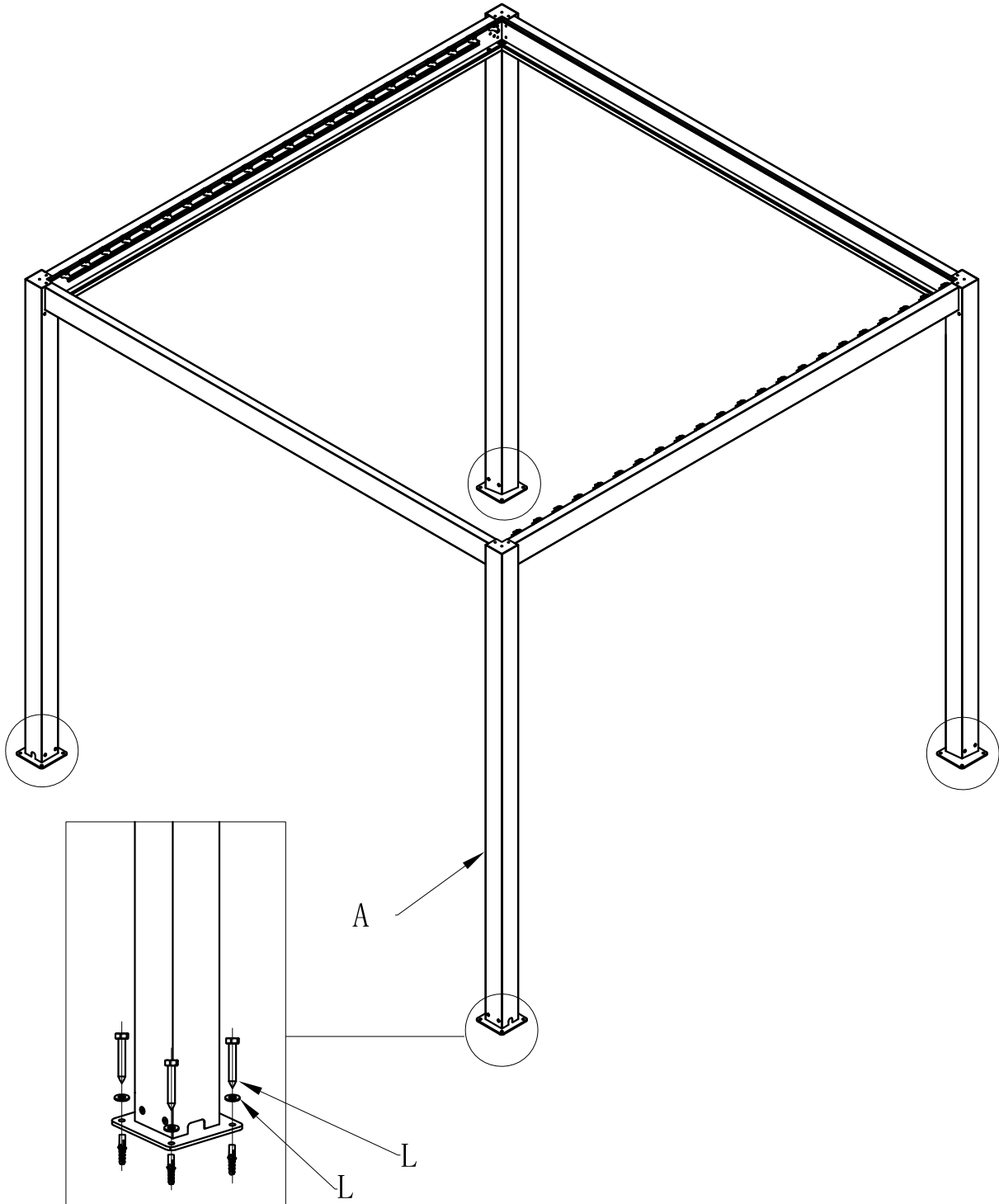
Use Tool: Percussion Bit $\phi 10$
(Self-provided by Installation workers)



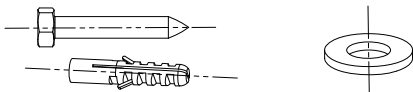
Pergola

Assembly instructions

12. Place the plastic expansion pipe in the bottom hole of the column; then move the product back to the hole drilled, align holes of the column bottom plates with the hole drilled on the ground; then set L1 into the woodworking screw L, and fix it with the ground separately.



L

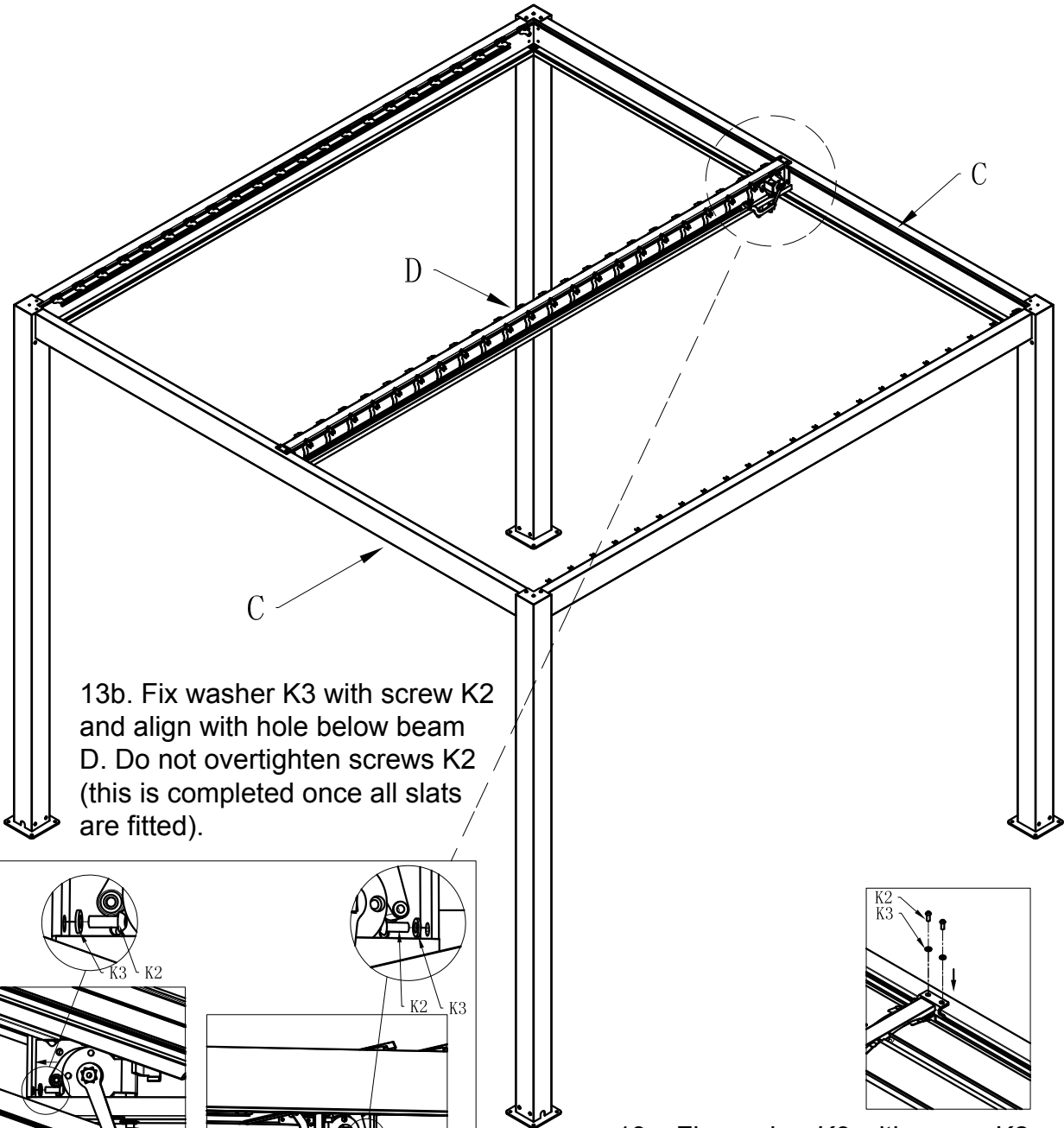


QTY: 16PCS

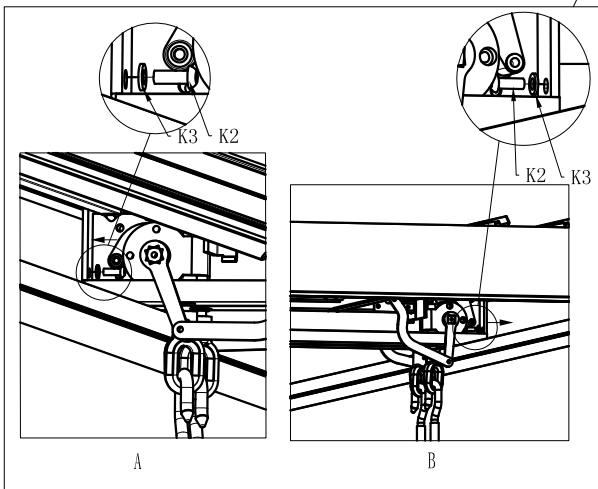
Pergola

Assembly instructions

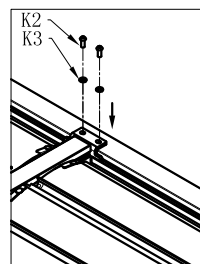
13a. Place the middle beam D between the front and rear beams C, ensuring the slat brackets are facing the same direction as the slat brackets on beams B1 and B2.



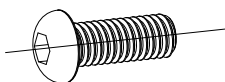
13b. Fix washer K3 with screw K2 and align with hole below beam D. Do not overtighten screws K2 (this is completed once all slats are fitted).



13c. Fix washer K3 with screw K2 and align with hole on top beam D. Do not overtighten screws K2 (this is completed once all slats are fitted).



K2



QTY: 8PCS

K3

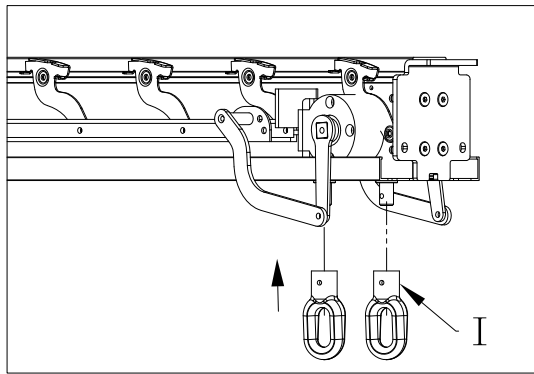
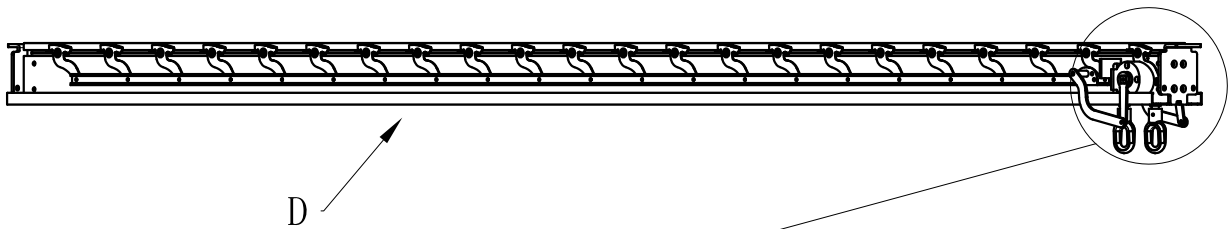


QTY: 8PCS

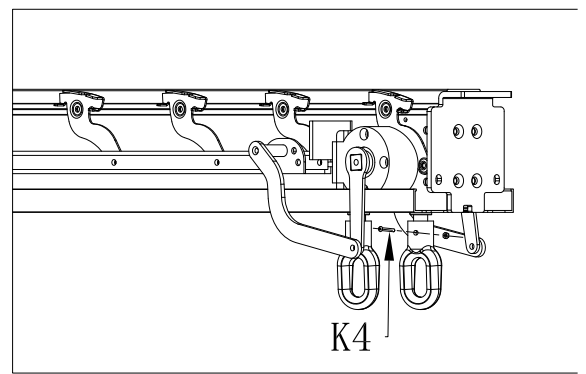
Pergola

Assembly instructions

3. Put two hinge rings (part I) into the gearbox drive shaft on the beam D, fix the screw + nut K4

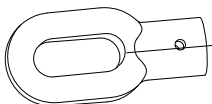


step 1



step 2

I



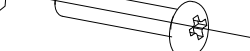
QTY:2PCS

K4

M4



M4x25

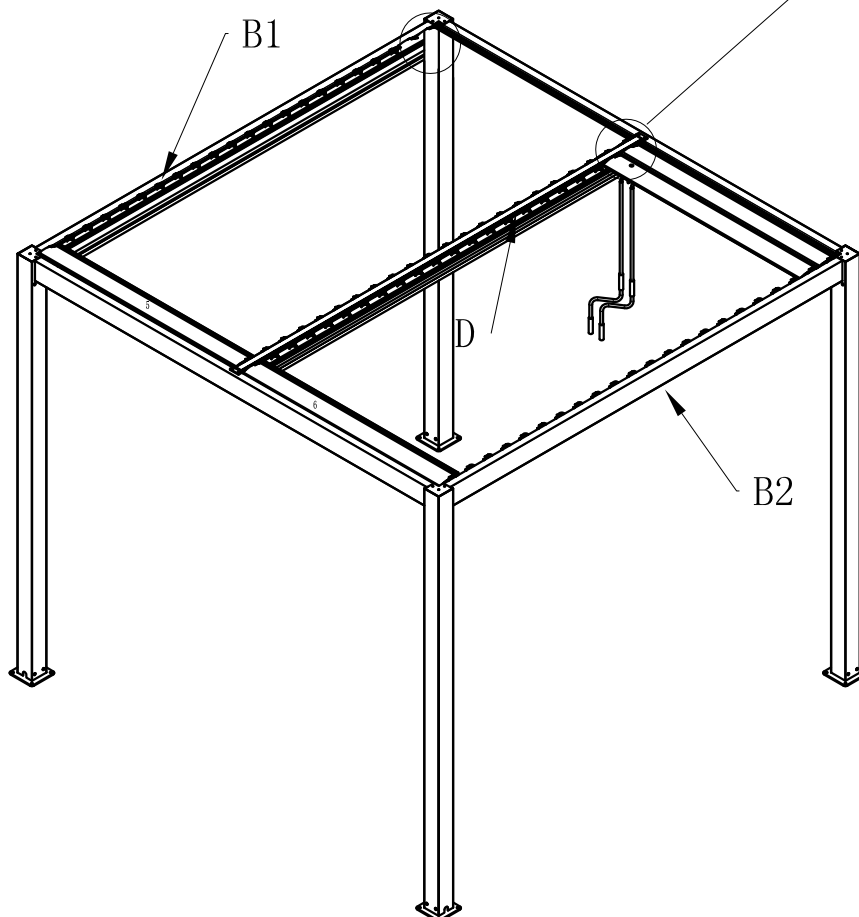
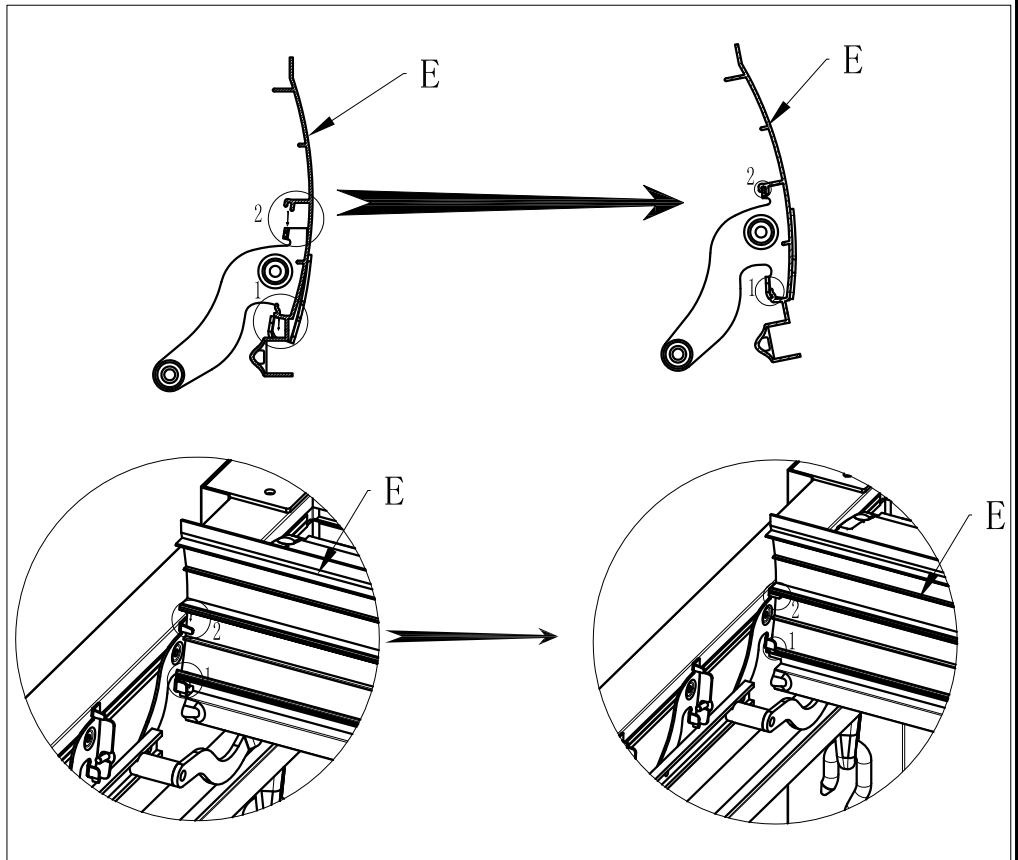


QTY:2 SETS

Pergola

Assembly instructions

15. Insert first slat (E) at gear box side, between the central column D and B1 / B2. Press down on the slat as shown below, gently tapping with a rubber/plastic mallet. Secure in place with the plastic jams (N). Tilt the slats to 45° for second slat and secure in place.

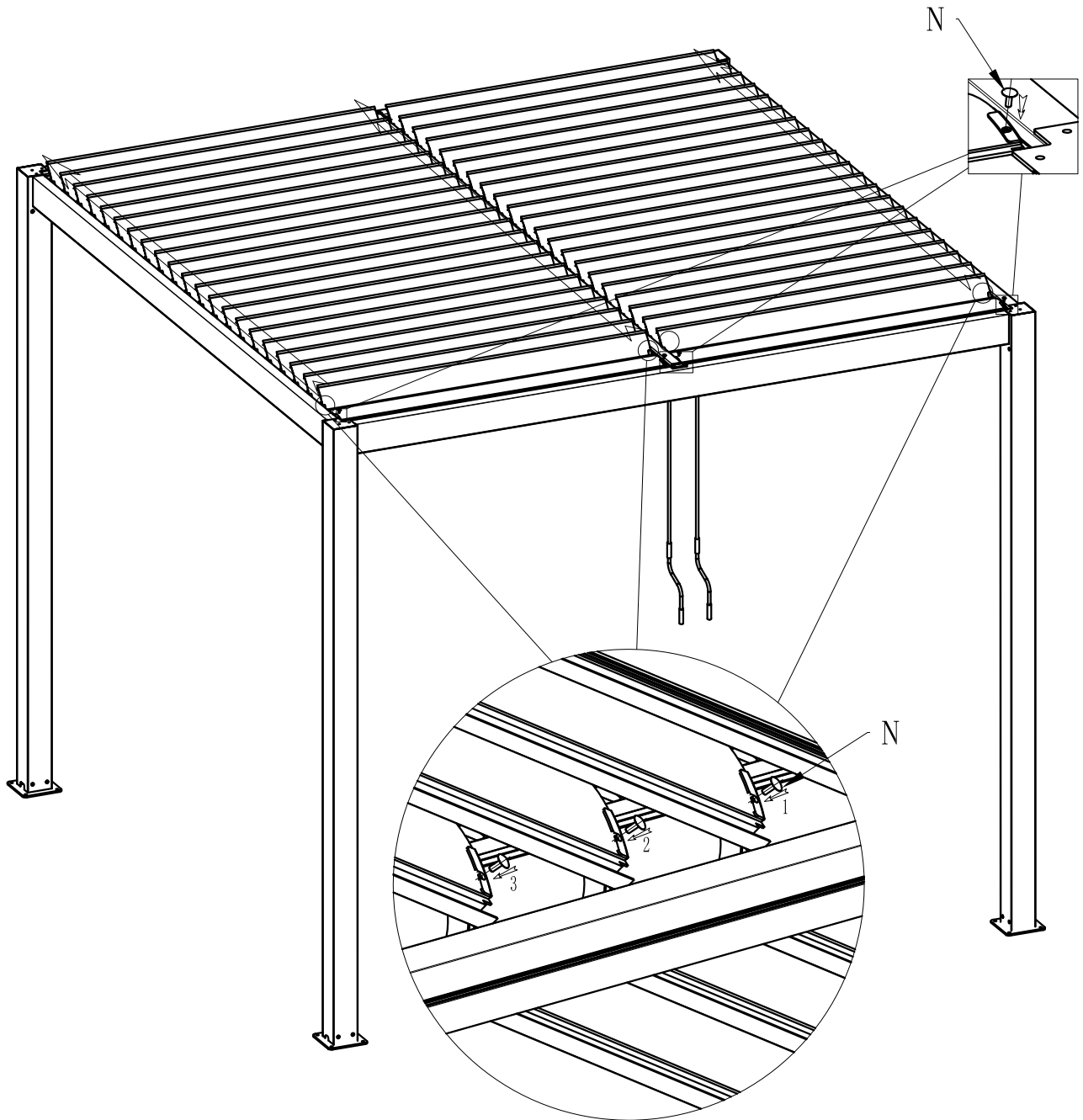


Pergola

Assembly instructions

18. Continue to add slat (E), along with the plastic jams (N) until all slats are fitted.

18a. The following image shows how to insert plastic jam into foremost slat.

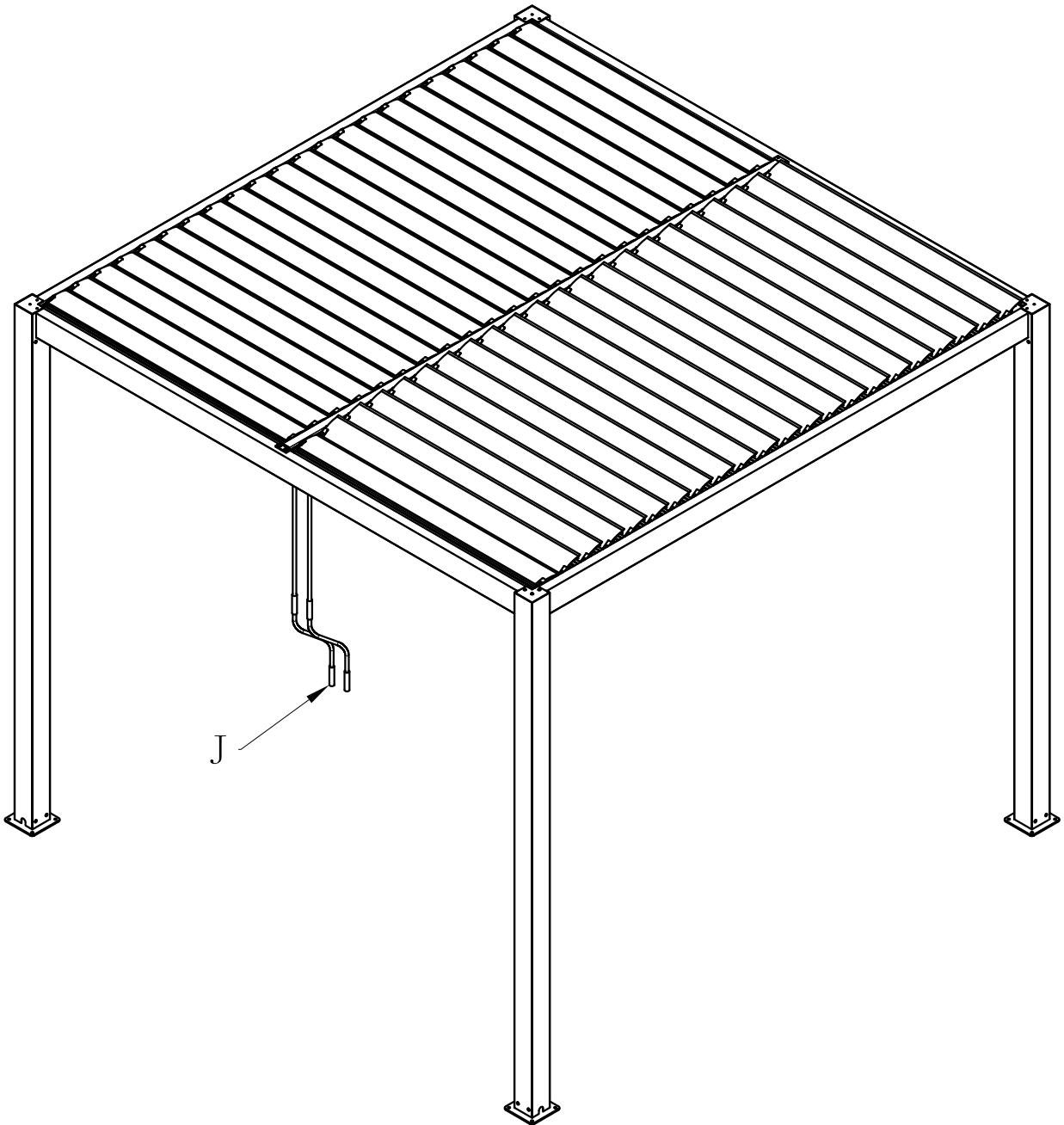


18b. Turn the slat to half position, insert the plastic jam N into hole of two ends of each slat in turn.

Pergola

Assembly instructions

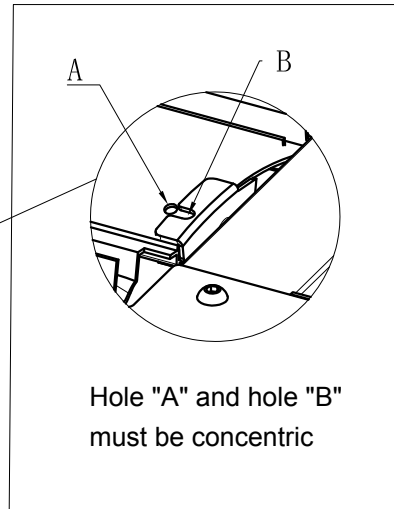
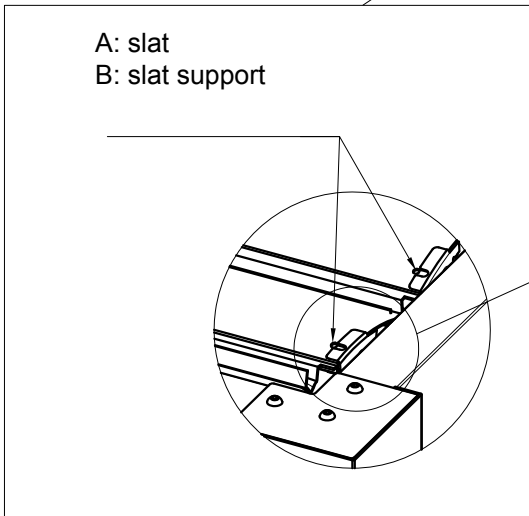
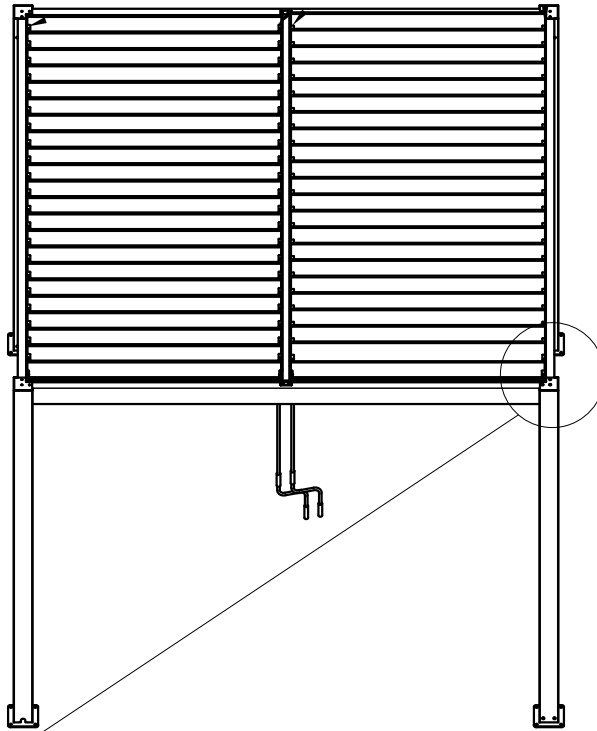
19. Put the hand crank J on, turn to open/close the slats.



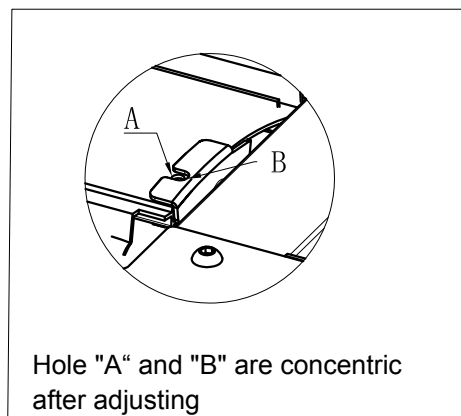
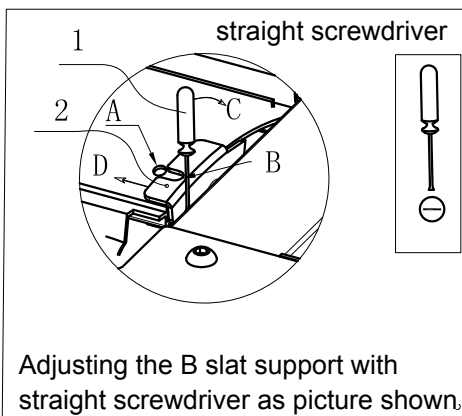
Pergola

TROUBLESHOOTING

Adjust according to below steps if the pergola won't close completely.



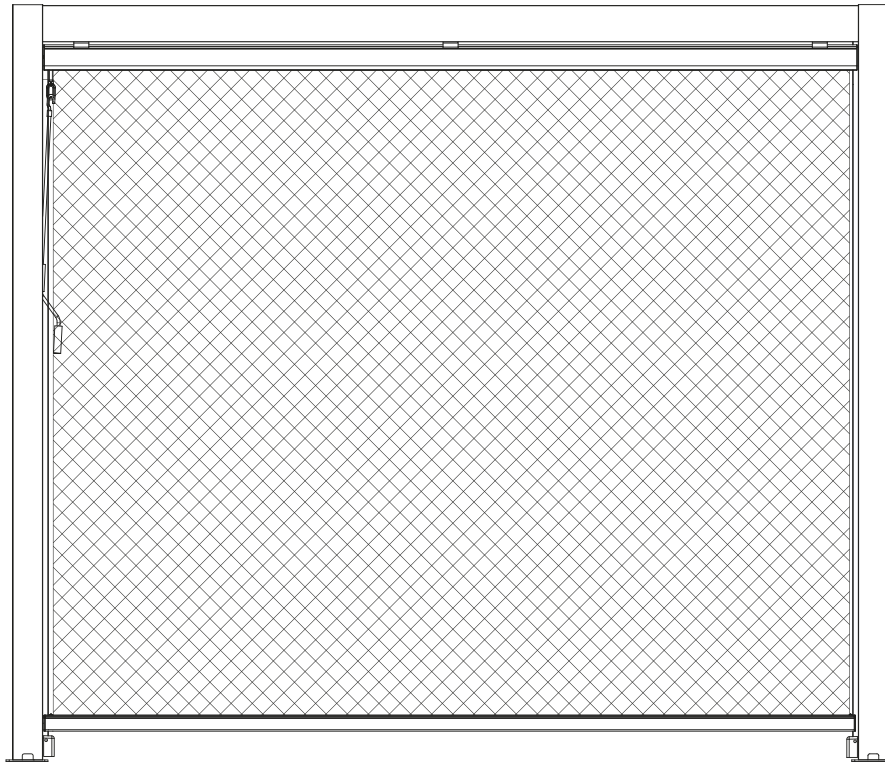
Adjust solution if hole "A" and hole "B" are not concentric





PERGOLA DROP SIDES

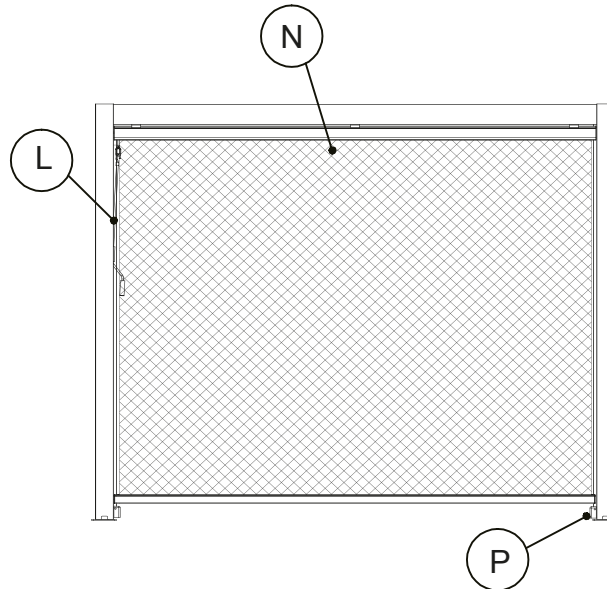
Assembly Instructions for Pergola Drop Sides (3x3m, 3x4m, 4x4m)









Pergola Drop Screen (1x)

Assembly instructions

GETTING TO KNOW YOUR PRODUCT

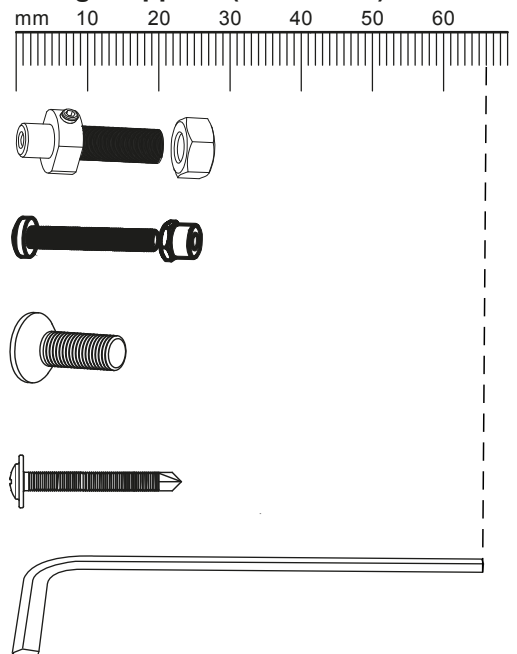


Components supplied. Please use this guide if you require replacement parts.

Ref	Description	Visual	Qty
L	The handle crank		1
M	The bracket		3
N	The main frame		1
O	The adjustable holder for wire rope		2
P	The cover for adjustable holder		2
R	The ring		1

Fixtures and fittings supplied (actual size)

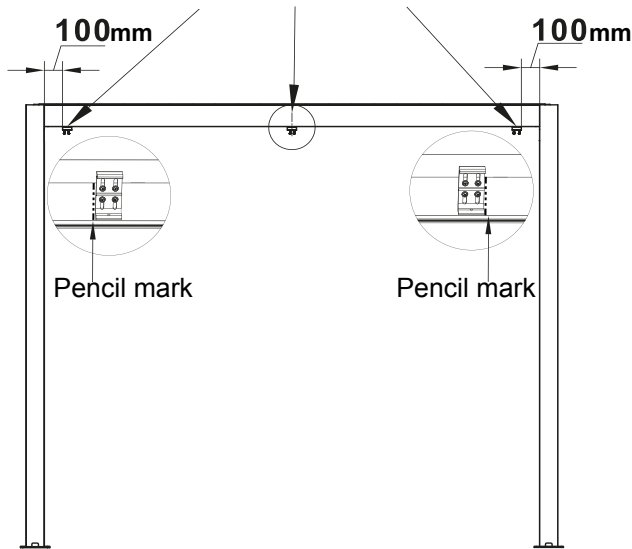
Ref	Description	Qty
Q	The regulator for wire rope	2
K1	The cross head screw M4x20+M4 lock nut	1
K2	The cross head countersunk screw M4x13	4
K3	The self-drilling screws (Cross recessed large flat head) ST4.2x25	18
		1



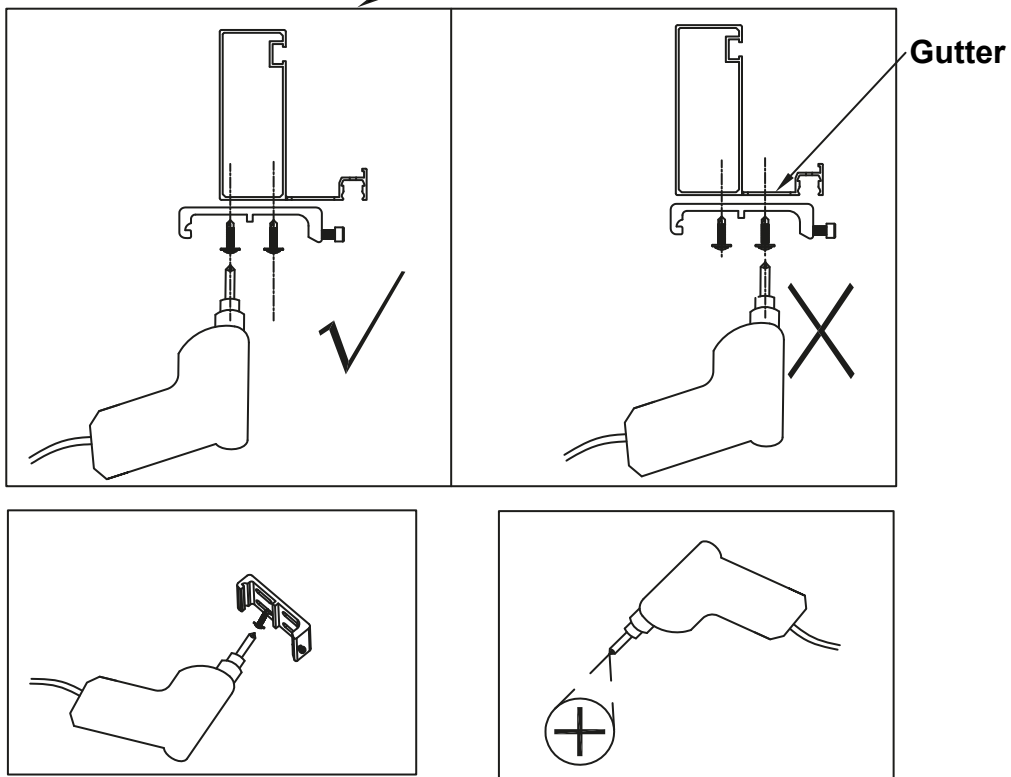
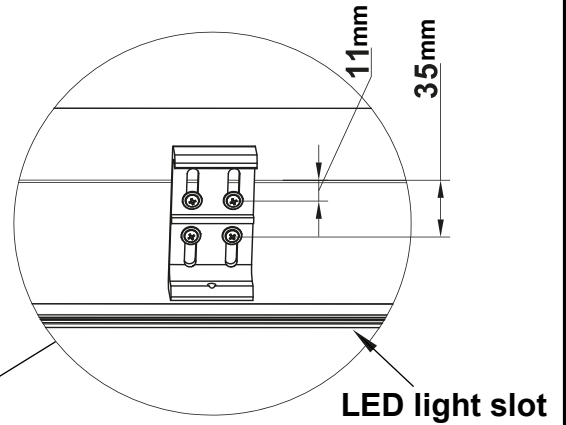
Pergola Drop Screen

Assembly instructions

1. Measure 100mm from each inside leg and make a pencil mark. Measure central point of beam and make a pencil mark.



2. Drill 4x K3 screws, according to the size shown in the figure below, fixing bracket M to the centre of the beam. Drill screws near the outside of the beam to avoid drilling through the gutter. Repeat for additional 2 brackets on the same beam (left and right).



3. Repeat above steps for all drop sides.

M



QTY: 3PCS

K

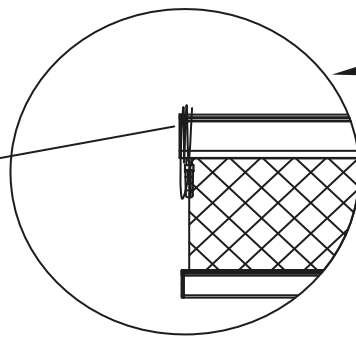
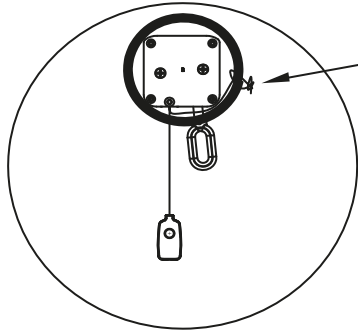


QTY: 12PCS

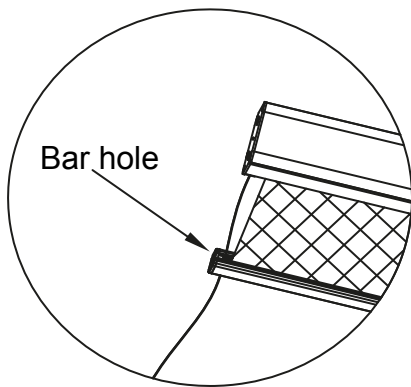
Pergola Drop Screen

Assembly instructions

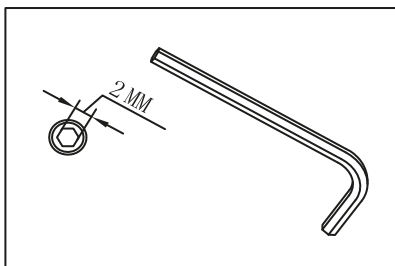
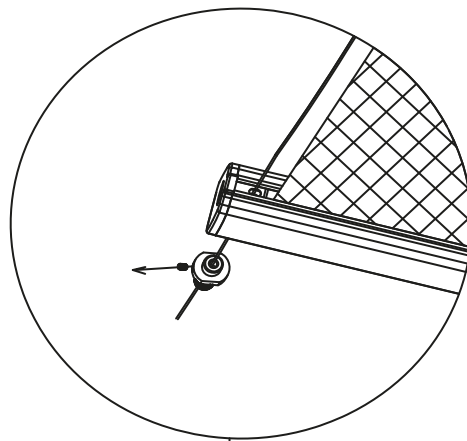
4. Open the tie and take out the wire rope



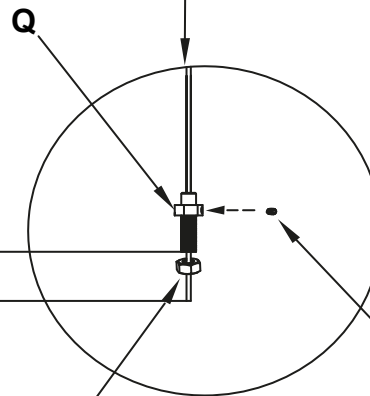
5. Pass the wire rope through the hole



6. Loosen internal screws Q. Pass wire rope through the middle hole of screw Q.



Need 20cm distance



7. Tighten up the internal screws of Q

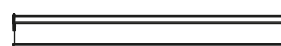
8. Take out the nut (needed in step X)

Q



QTY:2PCS

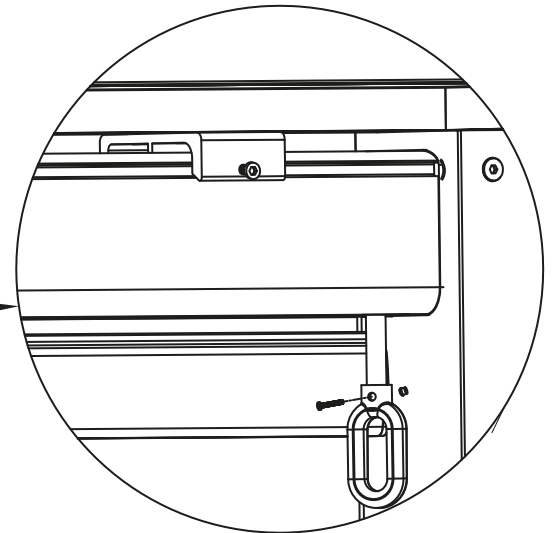
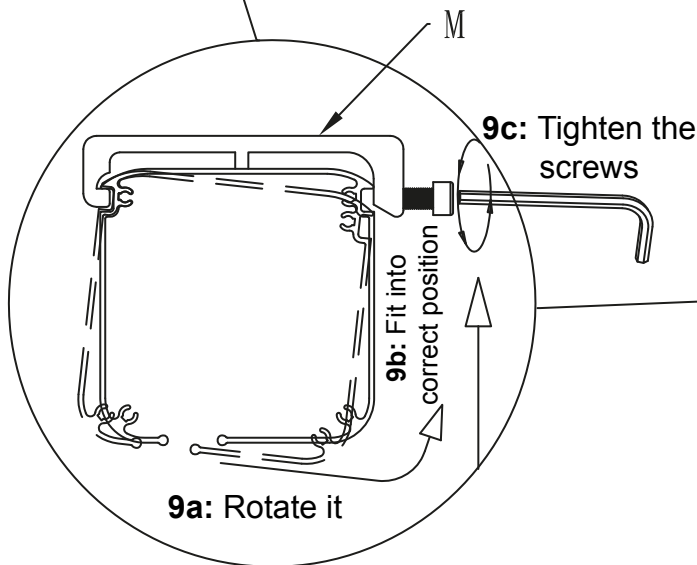
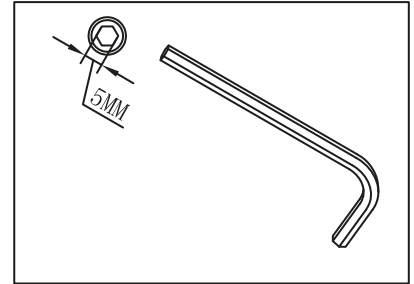
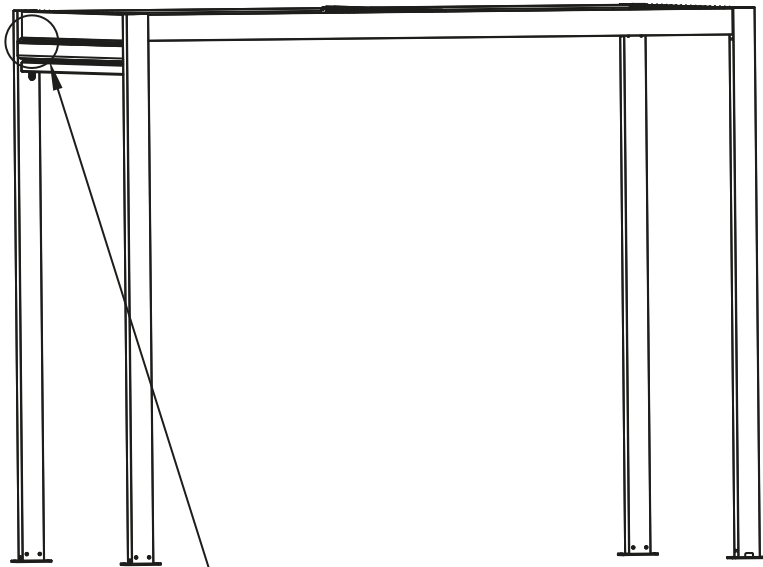
N



QTY:1PCS





Pergola Drop Screen

Assembly instructions



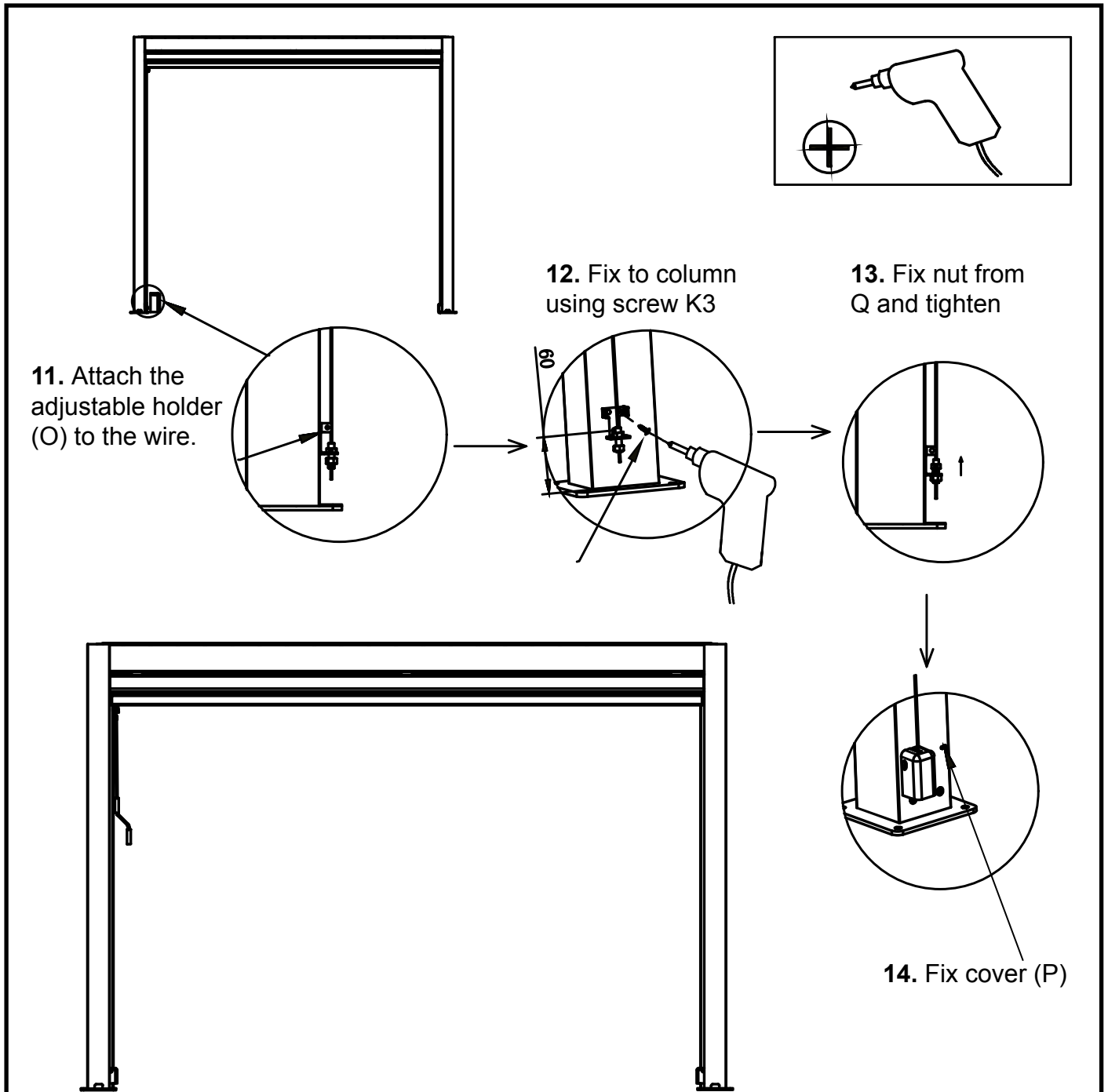
9. Fit drop screen to the brackets (ensure hinge ring bracket is facing inside).

10. Install loop (R) and secure with K1.

N		QTY:1PC	K1		QTY:1PC
R		QTY:1PC	L		QTY:1PC

Pergola Drop Screen

Assembly instructions







11. Attach the adjustable holder (O) to the wire.

12. Fix to column using screw K3

13. Fix nut from Q and tighten

14. Fix cover (P)

15. Repeat steps 1-14 for remaining 3x drop sides.

O		QTY:2PCS	P		QTY:2PCS
K3		QTY:6PCS	K2		QTY:4PCS