

GROUND FIXINGS

For ultimate stability and peace of mind, your pergola must be fitted onto a solid surface. Beneath the finished surface must be something for the pergola to be secured to safely such as a concrete pad.

Secure groundwork must be completed before our installers arrive (they are not permitted to do this), a local handyman would be able to assist you.

We would always advise **Blue Circle High Strength Postcrete spec 40N** for this, ensuring the concrete pad fall should be the same as the fall of the designated surface.

Floorplans are available for each of our pergolas so that you can see clearly where the floorplates of the pergola will sit, you'll also find the relevant pergola floorplan on sunslifestyle.com product pages under 'assembly instructions'.

We would recommend choosing your pergola size before doing any groundworks however if you have already laid the patio/deck then we advise you check the surface foundations are secure enough. Type I, sand, cement or concrete are not adequate unless it contains ballast (which Blue Circle Postcrete does).

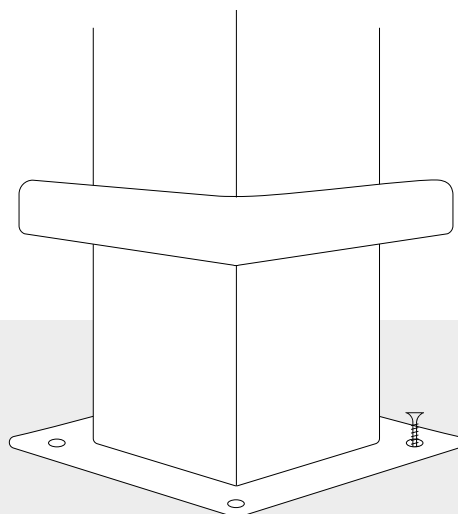
If you do not know who laid your patio, you'll need to double check the foundations first.

If installing your pergola onto composite decking without something solid below, you will need to have structural beams underneath matching where the footplates will sit (providing they are wide enough for the footplate to be bolted into fully).

We recommend postcrete pads of 400mm³ beneath any tiles or decking (or structural joists below the decking) for optimum stability. You should then finish your surface completely with the tiles fully grouted or decking on top, so that when our installers arrive they can drill through the tile/deck and into something extra secure below.

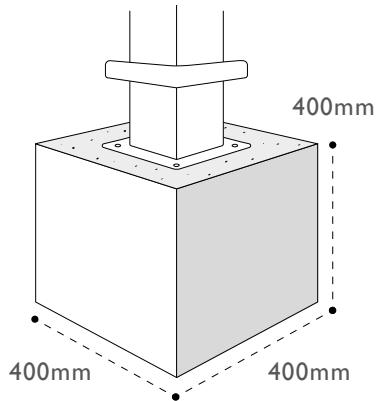
We use 70 - 120mm carbon steel bolts in most instances and diamond drill bits on porcelain tiles. In some instances we may need to pack up to achieve the correct levels, the packing we use (if needed) ranges from 5 - 50mm.

If you have an aco drain where the foot will be sitting, please **get in touch**.



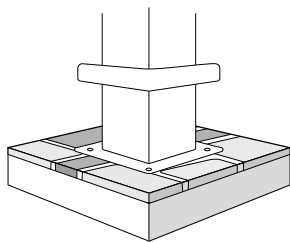
GROUND FIXINGS

IMAGE 1



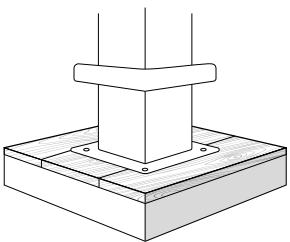
400MM³ CONCRETE PAD

If you have any doubt about the surface your pergola will sit on, we recommend adding a 400mm³ Blue Circle High Strength postcrete slab for stability. This can sit underneath tiles, decking or turf to securely hold your pergola in place. We would always prefer to drill through the finished surface for maximum stability.



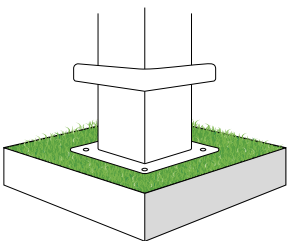
TARMAC, SLABS OR BLOCK PAVING

Where the surface is less than 150mm thick or an unknown composite, we recommend lifting the slab and adding a 400mm³ postcrete slab for stability before finishing the surface pre installation. See Image 1,



DECKING

You can install a pergola onto decking providing the foundations are secure. Due to the natural movement of timber or composite decking, we would recommend a concrete pad or a structural joist beneath the footplate site to hold securely in place. You can find the footplate placement and floorplans under 'assembly instructions' on the relevant product page online.



ASTROTURF, SOIL OR GRAVEL AGGREGATE

A 400mm³ postcrete pad should be situated beneath each pergola leg/footplate when installing directly onto grass or loose earth. See Image 1.