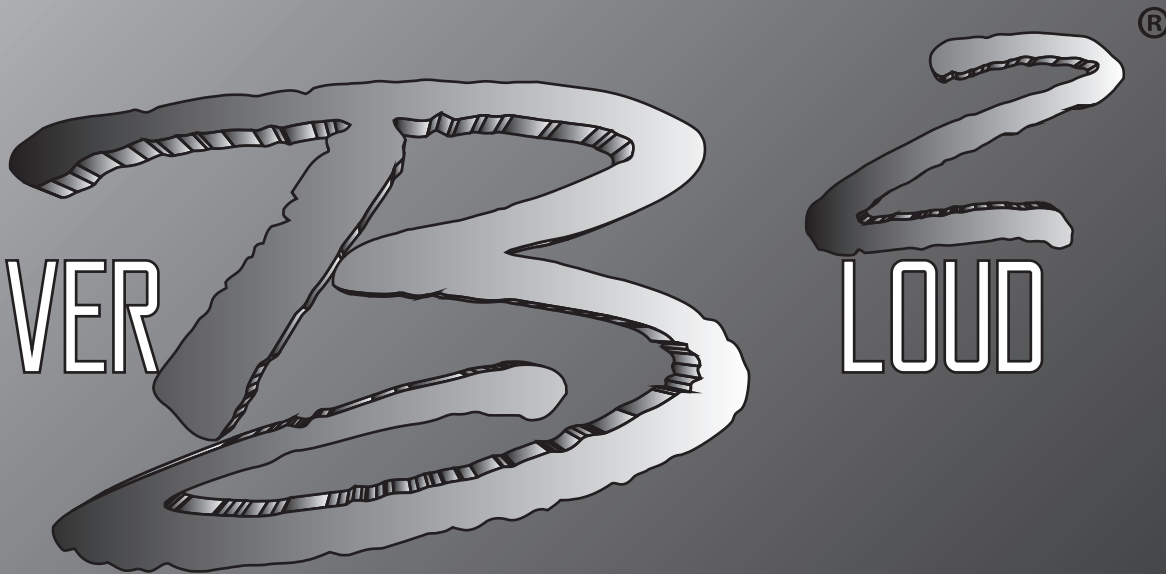


IT CAN NEVER



LOUD

RAGE 12V3 / RAGE 15V2 USER MANUAL

PRODUCT ID:

RAGE12V323

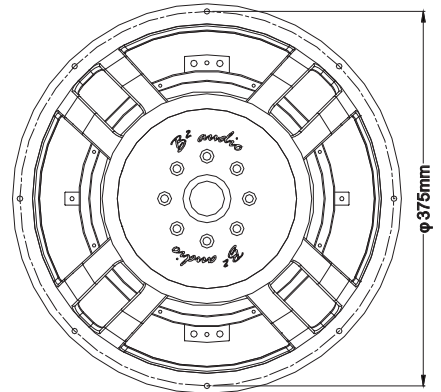
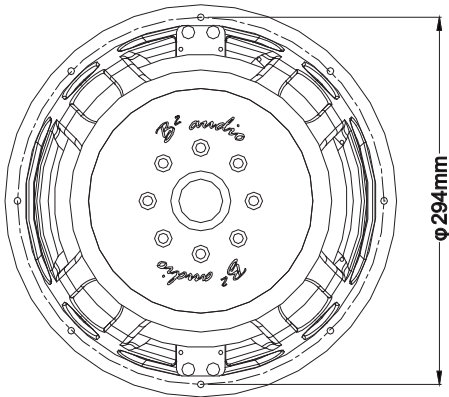
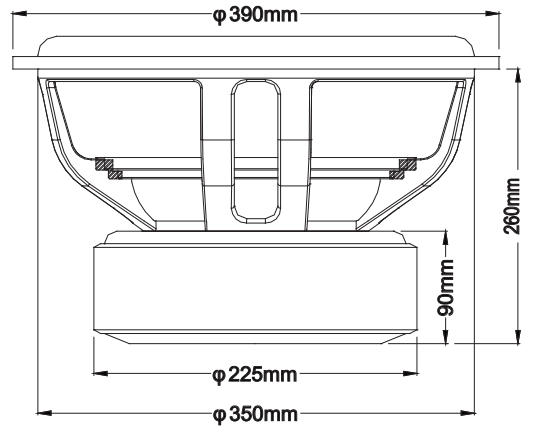
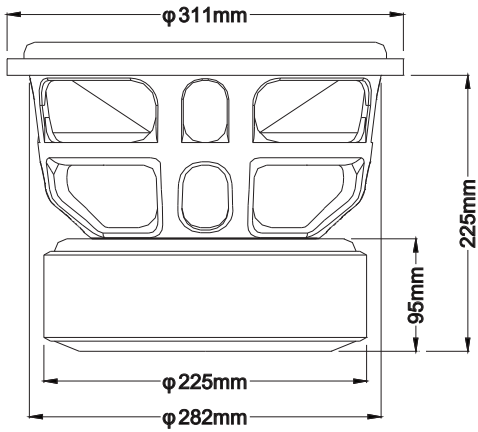
RAGE15V222

WWW.B2AUDIO.COM - WWW.FACEBOOK.COM/B2AUDIO - [@B2AUDIOGRAM](https://www.instagram.com/B2AUDIOGRAM)





MODEL: RAGE12 / RAGE15



MODEL:	RAGE12D1	RAGE12D2	RAGE15D1	RAGE15D2
Sensitivity:	91.2 dB	88 dB	82.4 dB	90.6 dB
Nominal Impedance:	Dual 1 Ω	Dual 2 Ω	Dual 1 Ω	Dual 2 Ω
DC Resistance (DC):	1 Ω	1.9 Ω	1 Ω	1.9 Ω
Voice Coil Dim:	3"	3"	3"	3"
Power Handling*:	2000 Watts	2000 Watts	2000 Watts	2000 Watts
Peak Dynamic Power:	4000 Watts	4000 Watts	4000 Watts	4000 Watts
XMAX one way (mm):	20	20	20	20
VAS:	29.4 L	28.9 L	67.1 L	67 L
FS:	29.5 Hz	28.1 Hz	26.8 Hz	25.5 Hz
QES:	0.44	0.39	0.41	0.35
QMS:	5.19	5.4	5.11	5.38
QTS:	0.4	0.36	0.38	0.33
CMS:	80 um/N	80 um/N	70 um/N	70 um/N
MMS:	334.6 g	384.7	476.3 g	524.2 g
BL^2/RE:	151.38	183.4	200	262.3
Magnet:	630 Oz	630 Oz	600 Oz	600 Oz
Displacement:	7.4 L / .26 cu.ft	7.4 L / .26 cu.ft	10.7 L / .37 cu.ft	10.7 L / .37 cu.ft

ENCLOSURE SUGGESTIONS				
TYPE	SEALED	PORTED COMPACT	PORTED	BP 4TH
RAGE12D1	30 L / 1.05 cu.ft	32 L / 1.13 cu.ft	64 L / 2.25 cu.ft	3:1 Ratio
	Otc 0.451	P: 4" L: 13.2" / 35 cm FB: 42 Hz	P.A. 18.6 sq.in L: 19.7" / 50 cm FB: 32 Hz	
RAGE12D2	30 L / 1.05 cu.ft	40 L / 1.41 cu.ft	64 L / 2.25 cu.ft	3:1 Ratio
	Otc 0.39	P.A. 13.9 sq.in L: 13.3" / 34 cm FB: 42 Hz	P.A. 18.6 sq.in L: 19.7" / 50 cm FB: 32 Hz	
RAGE15D1	50 L / 1.77 cu.ft	100 L / 3.5 cu.ft	142 L / 5 cu.ft	3:1 Ratio
	Otc 0.464	P: 2 x 4" L: 11.2" / 28.5 cm FB: 35 Hz	P.A. 43.4 sq.in L: 22.2" / 56 cm FB: 30 Hz	
RAGE15D2	50 L / 1.77 cu.ft	100 L / 3.5 cu.ft	142 L / 5 cu.ft	3:1 Ratio
	Otc 0.41	P: 2 x 4" L: 11.2" / 28 cm FB: 35 Hz	P.A. 43.4 sq.in L: 22.2" / 56 cm FB: 30 Hz	

*It's essential that our speakers are given time to allow the suspension to soften up. Depending on use, this may take several weeks. While this process is undergoing, it is not recommended to apply full amplification power according to the speaker's specs. Once the moving parts have been broken in, the performance of your speaker will increase. Abuse of the unit is **not** covered by warranty. The warranty does not cover (1) Speakers that have been used for spl purpose in competitions, (2) Damage caused by amplifier clipping or distortion, (3) Exposure to water, oil, solvent & excessive temperatures +/- (4) Cost of shipping to / from authorized service center.