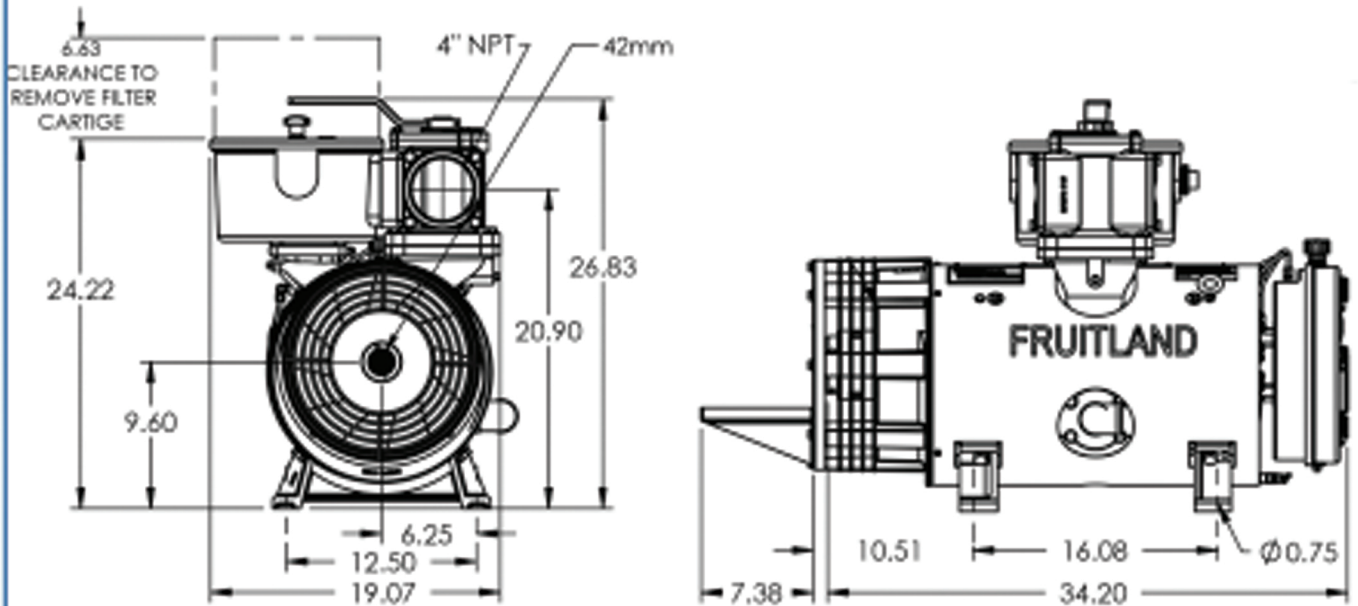


Fruitland 870



DIMENSIONS



Quality parts backed by unmatched knowledge and service



www.pikrite.com

(800) 326-9763 | sales@pikrite.com