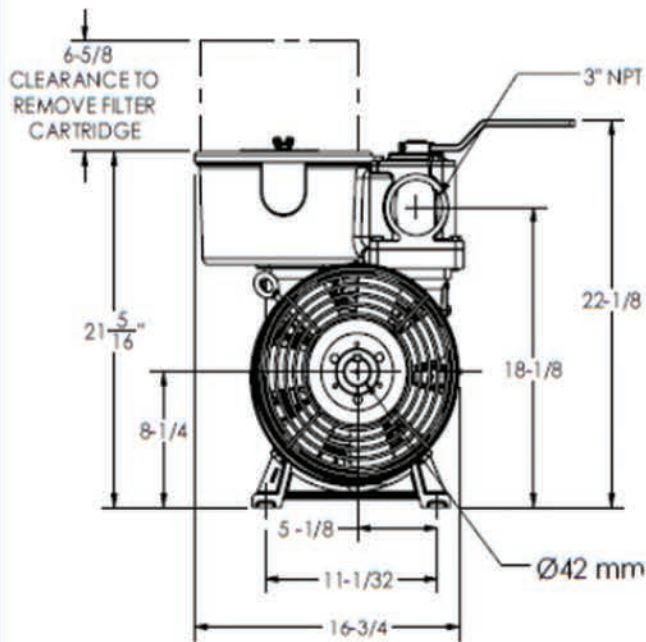


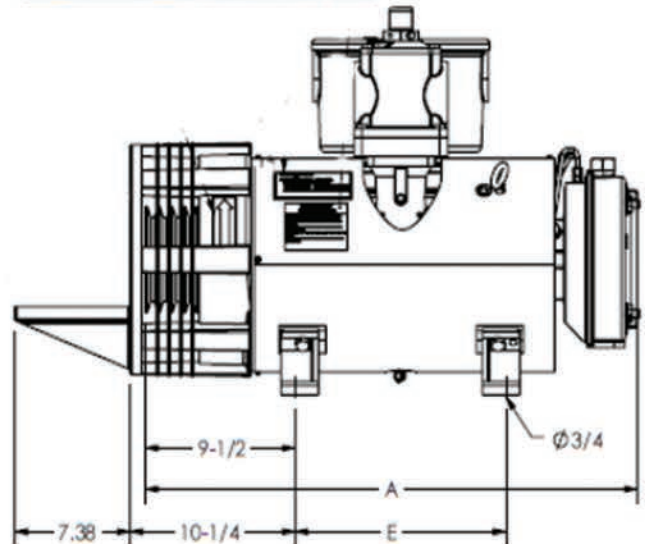
Fruitland 500



DIMENSIONS



Model	A	E
RCF500F	31-1/2"	13-1/2"
RCF370F	28-1/2"	10-1/2"



Quality parts backed by unmatched knowledge and service



www.pikrite.com

(800) 326-9763 | sales@pikrite.com