

HOLMARQ

Electronic Door Knob with Keypad

Scan to view
Installation Video
on YouTube



Installation Guide & User Manual

H1

Hello!

Thank you for choosing Sequra Electronic Door Knob!

Sequra takes indoor room security to the next level. The robust and stylish body is constructed by rigorously selected Zinc Alloy materials. Unlike any traditional door knob, Sequra enables you to manage up to 50 users with customizable passcodes, opening up multiple possibilities for various use cases. In addition, settings such as Passage Mode, Autolock, and Anti-Prying passcode deliver ultimate convenience for day-to-day use. With our power-saving technologies, 4 AA batteries are able to provide up to 2 years of battery life. You may finally be able to put your key away and use them as backup.

For now, please be sure to explore all of its features outlined in this manual. If you have any questions, feel free to just drop us an email anytime. We'd love to assist you to the get the most out of it!

CUSTOMER SUPPORT

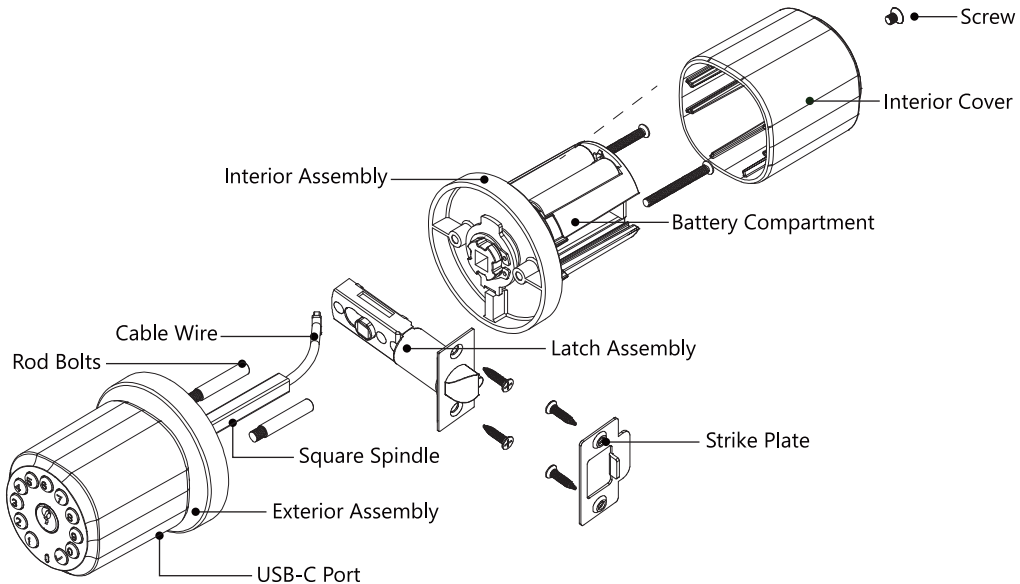



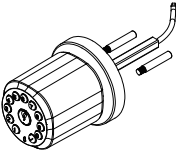
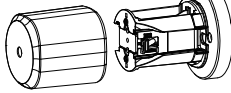
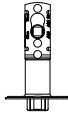

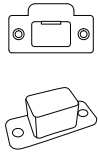



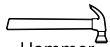






support@marqsmart.com



www.marqsmart.com

What's in the Box



Tools		Parts				
 Phillips Screwdriver		    				
Additional						
 Drill	 Hole Saw Drill					
 Chisel	 Hammer					
 Tape Measure	 Pencil	 M4 Screws x 2 2-3/8" (60mm) For door thickness 48mm or above	 M4 Screws x 2 1-3/5" (40mm) For door thickness 35 - 48mm	 M4 Screws x 1 2/5" (10mm)	 Strike Plate Screws x 4 4/5" (20mm)	

Batteries

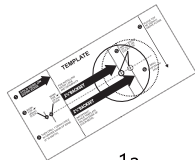
Electronic lock requires 4 AA Alkaline batteries (Duracell or Energizer recommended) to be **purchased separately**. For best result, 1.2V Rechargeable batteries are NOT recommended. When all 4 batteries are installed in the correct position, you will hear a long beep and the keypad will illuminate green.

1 Prepare the door and check dimensions

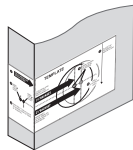
For installation on new doors

1. Prepare door and jamb

- Take out the 'Door Marking Template' (Figure 1a).
- Fold template and place on door 36" (915mm) from the ground as marked (Figure 1b).



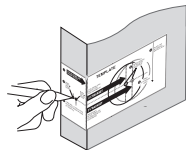
-1a-



-1b-

2. Mark the door for drilling

- Mark center hole on door edge through guide on template for 1" (25mm) latch bolt (Figure 2a).
- Mark center hole on door face through guide on template for 2-3/8" (60mm) or 2-3/4" (70mm) backset (Figure 2b).



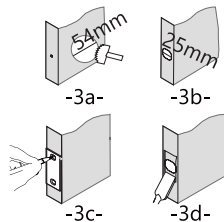
-2a-



-2b-

3. Drill and chisel door

- Drill 2-1/8" (54mm) hole through door face as marked for lock set (Figure 3a).
- Drill 1" (25mm) hole in center of door edge for Latch Assembly (Figure 3b).
- Insert Latch Assembly in hole keeping it parallel to face of door. Mark outline and remove latch (Figure 3c).
- Chisel 1/8" (3mm) deep or until latch face is flush with door edge (Figure 3d).

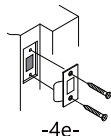
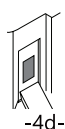
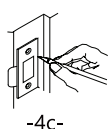
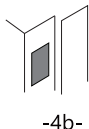
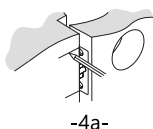


NOTE:

For drive in Latch, drill hole size indicated on template and press until it is flush with door edge.

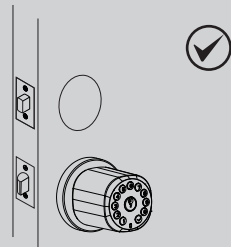
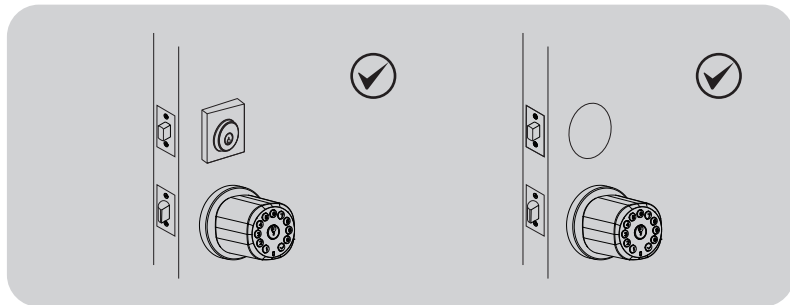
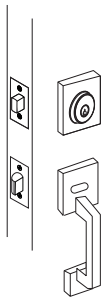
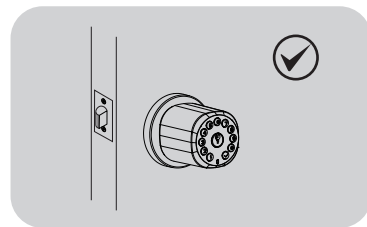
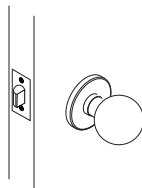
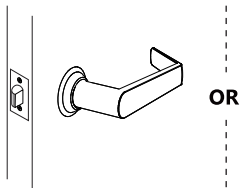
4. Mark and drill door jamb

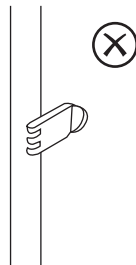
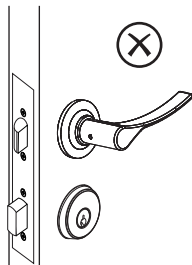
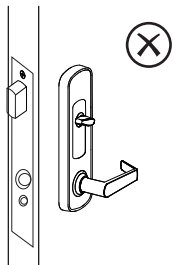
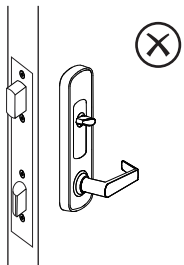
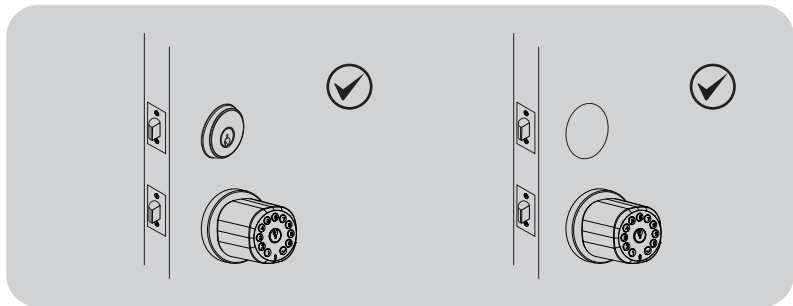
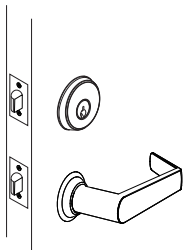
- Mark center hole on edge of jamb even with the center of the Latch Bolt on door edge (Figure 4a).
- Drill a hole in door jamb on center mark. Check if the strike plate measure can perfectly fits in (Figure 4b).
- Outline outside edges of Strike Plate (Figure 4c).
- Chisel 1/8" (3mm) deep for Strike Plate or until flush (Figure 4d).
- Install Strike Plate using two 3/4" (19mm) screws provided (Figure 4e).



For installation on doors with pre-drilled holes

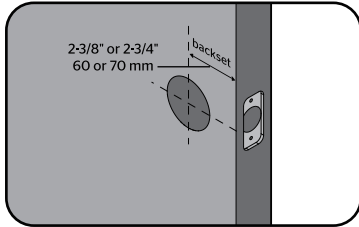
1. Check door compatibility / Remove existing door knob (if applicable)



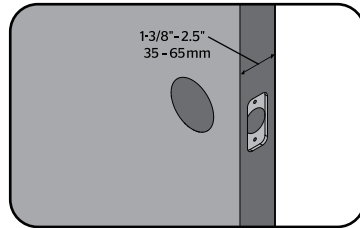


2. Double check door dimensions

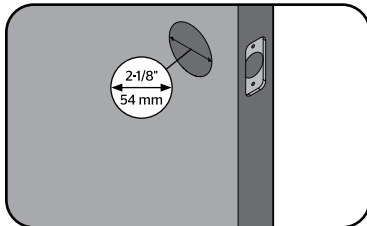
- 1 Backset: measure to confirm that the backset is either 2-3/8" or 2-3/4" (60 or 70mm).



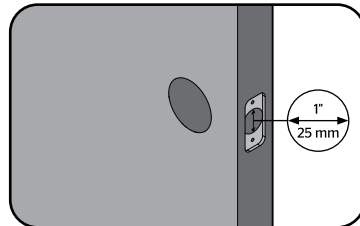
- 2 Thickness: measure to confirm that the door is between 1-3/8" to 2.5" (35mm to 65mm) thick.




- 3 Hole in the door: measure to confirm that the hole in the door is 2-1/8" (54mm).





- 4 Hole in the door edge: measure to confirm that the hole in the door edge is 1" (25mm).



 **DO NOT** use an electric screwdriver, only hand tighten screws with Phillips screwdriver.

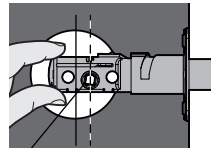
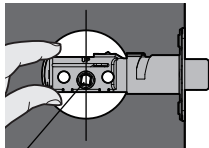
 **DO NOT** over-tighten screws.

 **DO NOT** install this product if your door thickness is out of range.

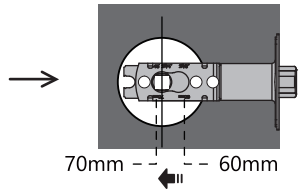
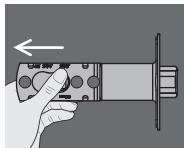
 **DO NOT** mix new batteries with used batteries when the product is in use.

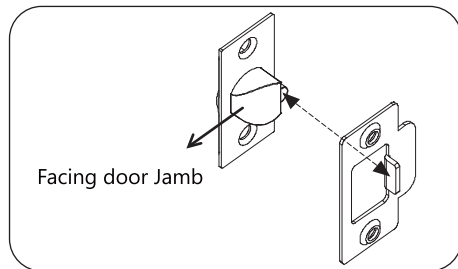
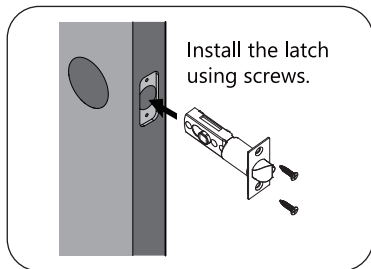
2 Install the latch and strike plate

Hold the latch in front of the door hole, with the latch face flush against the door edge. Make sure the square-shaped hole is centered.



For 2-3/4" (70mm) backset, pull to extend the latch in order to center the squared-shaped hole.



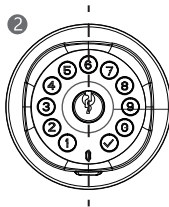
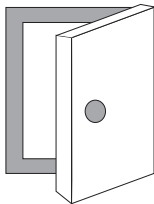


In most cases, the existing strike plate is ready to be used. You may store the strike plate in box for future use.

If not, please make sure the bolt is aligned correctly with the strike plate.

3 Install the Exterior Assembly

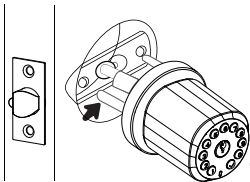
1
Make sure the door is open.



2
Make sure the keyhole is in vertical position.

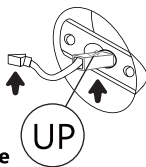
Insert the Exterior Assembly onto the door with the rod bolts going through the round holes on the latch, and the square spindle and the control wire going through the square-shaped (center) hole.

3



The "UP" mark on the spindle should face upward

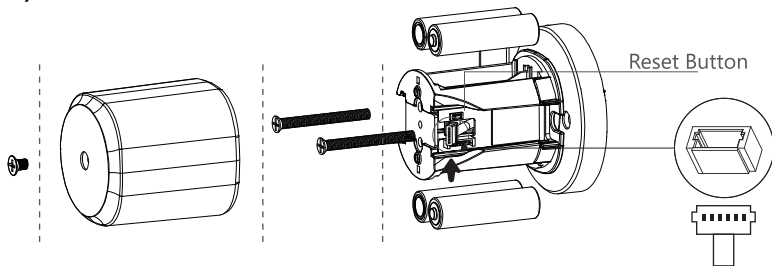
4



Forcing the control wire into any other place than specified above will damage the connector, making the door knob unusable.

4 Install the Interior Assembly

- 1 Remove the screw on top and then pull out the cover.
- 2 Install interior knob onto the door with the rod bolts going through the round holes on the latch, and the square spindle and the control wire going through the square-shaped (center) hole.
- 3 Secure both exterior and interior knobs to the door using the 2-3/8" (60mm) or 1-3/5" (40mm) screws. Tighten them with a Phillips Screwdriver (**DO NOT over-tighten**).
- 4 Plug the control wire male plug to the female socket located on the battery compartment.
- 5 Install the batteries into the compartment.
- 6 Press and hold the reset button until you hear a long beep.
- 7 Install and then secure the cover with the screw.

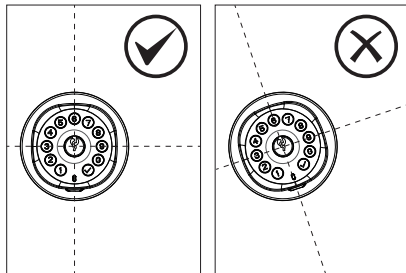


5 Testing door knob

- Always test with door open.
- Make sure both the interior and exterior knobs are not slanted. ➔
- Enter admin passcode 010203 (default) > ✓ and test the exterior knob. The bolt should move smoothly in and out.
- Use keys to test the exterior knob. The bolt should move smoothly in and out.
- Test the interior knob. The bolt should move smoothly in and out.
- Close the door to make sure the bolt fits in the hole on jamb.

NOTE:

- Make sure the door knob has been reset successfully.
- If you forget your passcode, the only way to unlock is to use backup keys.
- If you happen to lose your backup keys at the same time, please immediately contact a locksmith for assistance.



Congratulations! Sequra is ready for use.

6 Using door knob

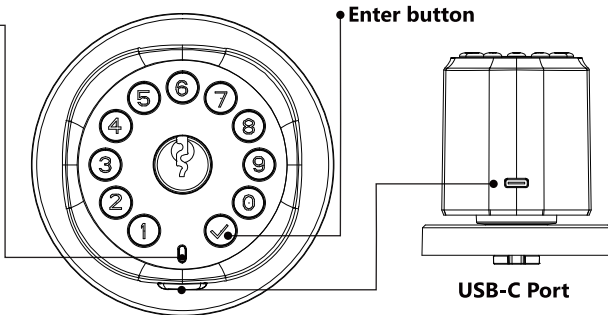
Indicator light

Green

- Indicates a setting is successful and activated
- Unlocking successful

Red

- Indicates a setting is unsuccessful and deactivated
- Low-battery warning



Batteries

Electronic lock requires 4 AA Alkaline batteries (Duracell or Energizer recommended) to be **purchased separately**. For best result, 1.2V Rechargeable batteries are NOT recommended. When all 4 batteries are installed in the correct position, you will hear a long beep and the keypad will illuminate green.



If the batteries die due to long idle time, use type-C cable with a power source such as a power bank for emergency power. As soon as unlocking is successful, immediately replace with new batteries.
















Buzzer and Status Indicator

Action	Buzzer	Indicator
Power on	Long beep	Stays green for a while
Press a button	Beeps once	Blinks green once
Unlocking successful	Long beep	Stays green for a while
Passcode operation successful	Long beep	Stays green for a while
Silent mode on	Silent	Stays green for a while
Silent mode off	Long beep	Stays green for a while
Passage mode on	Long beep	Stays green for a while
Passage mode off	Long beep	Stays green for a while
Auto-Lock completed	Silent	Inactive
Immediate Lock completed	Silent	Stays green for a while
Resetting successful	Long beep	Stays green for a while
Press a button when keys are locked up	Beeps twice	Blinks red twice
Operation failed	Beeps twice	Blinks red twice
Low batteries warning	Beeps 5 times	Blinks red 5 times

Account management

Administrator Passcode	Default administrator passcode is '010203'. If you wish to set a new passcode, it should be 4-8 digits. Make sure to set a new code as soon as you finish installing the lock.
Change Administrator Passcode	✓ > old passcode > ✓ > 0 > ✓ > new passcode > ✓ > new passcode (confirm) > ✓
Add a User Passcode	✓ > admin. passcode > ✓ > 1 > ✓ > new passcode > ✓ > new passcode (confirm) > ✓
Change a User Passcode	✓ > admin. passcode > ✓ > 2 > ✓ > old passcode > ✓ > new passcode > ✓ > new passcode (confirm) > ✓
Delete a User Passcode	✓ > admin. passcode > ✓ > 3 > ✓ > old passcode > ✓
Clear all users	✓ > admin. passcode > ✓ > 99 > ✓ > 99 > ✓

Settings

<p>Resetting the Door Knob</p>	<p>Remove the screw and cover from the interior assembly. Press and hold the Reset Button until you hear a long beep sound along with the green light, and then the door knob will reboot itself until you hear another long beep sound along with green light, indicating the reset is successful.</p>								
<p>Passage Mode</p>	<p>Turn on passage mode, the door will stay unlocked until you turn it off.</p> <table border="1" data-bbox="607 469 1509 728"> <thead> <tr> <th colspan="2" data-bbox="607 469 1207 524">*Turn on passage mode</th> <th data-bbox="1207 469 1509 576" rowspan="2">Turn off passage mode</th> </tr> <tr> <th data-bbox="607 524 908 576">Standard Settings</th> <th data-bbox="908 524 1207 576">Shortcut</th> </tr> </thead> <tbody> <tr> <td data-bbox="607 576 908 728"> <p>  > admin. passcode >  > 4 >  </p> </td> <td data-bbox="908 576 1207 728"> <p> admin. passcode >  > Press and hold  for 5s </p> </td> <td data-bbox="1207 576 1509 728"> <p>Press any key to deactivate passage mode while it is on</p> </td> </tr> </tbody> </table> <p>*Once succeeded, green light stays for a while along with a long beep.</p>	*Turn on passage mode		Turn off passage mode	Standard Settings	Shortcut	<p>  > admin. passcode >  > 4 >  </p>	<p> admin. passcode >  > Press and hold  for 5s </p>	<p>Press any key to deactivate passage mode while it is on</p>
*Turn on passage mode		Turn off passage mode							
Standard Settings	Shortcut								
<p>  > admin. passcode >  > 4 >  </p>	<p> admin. passcode >  > Press and hold  for 5s </p>	<p>Press any key to deactivate passage mode while it is on</p>							
<p>Anti Prying</p>	<p>The anti-prying technology is used for protecting your passcode from prying eyes. You may enter up to 20 digits including your passcode to unlock the door knob.</p>								

<p>Auto-Lock</p>	<p>The door knob will automatically lock after 5s.</p> <p>NOTE: Turning on Passage Mode will automatically disable the Auto-Lock feature. As soon as Passage Mode is off, Auto-Lock will resume automatically.</p>
<p>Silent Mode</p>	<p>Turn on/off Silent Mode (Buzzer)</p> <p>☑ > admin. passcode > ☑ > 5 > ☑</p> <p>You may turn on silent mode to deactivate the buzzer.</p>
<p>Immediate locking</p>	<p>Press ☑ to lock immediately.</p>

 **SAVE THESE IMPORTANT INSTRUCTIONS FOR EASY REFERENCE.**

Troubleshooting

No indicator nor sound response from pressing a button

1. Remove the cover from the interior assembly and then check if the cable wire is securely attached. If not, remove the connector and then plug in again.
2. Make sure the batteries are inserted properly (correct polarity).
3. Make sure the batteries have enough power.
4. Check if the door knob is in Silent Mode.

If you are stuck outside and not able to access battery compartment, use USB-C emergency power to power on the door knob.

<p>Latch will not extend or retract completely when closed</p>	<ol style="list-style-type: none"> 1. Check the size of the hole in the door edge and adjust according to installation guide. 2. Check if the latch is installed properly according to the backset length. 3. Make sure the thinner edge of both the interior and exterior knobs heads downward and vertically to the floor.
<p>Bolt is not able to go through the strike plate</p>	<ol style="list-style-type: none"> 1. Make sure the bolt aligns with the strike plate. 2. Make sure the bolt edge can slide into the strike plate. 3. Make sure depth of the hole in door jamb fits the bolt.
<p>Failed to unlock using a passcode:</p>	<ol style="list-style-type: none"> 1. Failed to unlock using administrator passcode > reset the door knob 2. Failed to unlock using a user passcode > use administrator passcode to modify the user passcode. 3. Check if the buttons work properly: Turn off Silent Mode, and then press each button. You should hear the buzzer every time.
<p>Failed to lock or unlock/ Failed to fully turn the knob</p>	<ol style="list-style-type: none"> 1. Check if the screws are overtightened when installing the interior piece. 2. Check if both knobs are slanted from the door edge. 3. Make sure the battery level is high and no mixing of new batteries with the old ones.

7 Important safeguard

- Protect your administrator code (less exposure) by setting a user code aside from the administrator code for daily use. Use only administrator code when you need to manage users.
- When sending a user code, always double-check that you are sending it to the correct recipient.
- Dispose of used batteries according to local laws and regulations.
- Always have access to your lock's standard key.
- Prevent water and liquids from getting into the lock's electric parts or battery compartment.
- Replace batteries immediately as soon as you are warned.

CAUTION: Prevent unauthorized entry. Since anyone with access to the interior assembly can factory reset the door knob, routinely check the administrator code to ensure they have not been altered without your knowledge.

WARNING: This Manufacturer advises that no lock can provide complete security by itself. This lock may be defeated by forcible or technical means, or evaded by entry elsewhere on the property. No lock can substitute for caution, awareness of your environment, and common sense. Builder's hardware is available in multiple performance grades to suit the application. In order to enhance security and reduce risk, you should consult a qualified locksmith or other security professional.