

# HOLMARQ

Smart Door Knob with Keypad

## Installation Video

Scan to view  
on YouTube



Installation Guide & User Manual

# HK1

# Hello!

Thank you for choosing Sequra Smart Door Knob With Keypad!

Sequra is HomeKit-enabled and supports the future-proof wireless technology, Thread. It is faster, more reliable, and more secure. With your Thread-enabled apple home hub, you can lock/unlock your door and check the status using Siri or your iPhone, from anywhere. Our Sleekpoint app provides a ton of exclusive features for your day-to-day use: Access Management, Activity feed, Settings, etc. With our power-saving technologies, 4 AA batteries are able to provide up to 6 months battery life. You may finally be able to put your keys away and use them as backup.

For now, please be sure to explore all of its features outlined in this manual. If you have any questions, feel free to just drop us an email anytime. We'd love to assist you to get the most out of it!

CUSTOMER SUPPORT

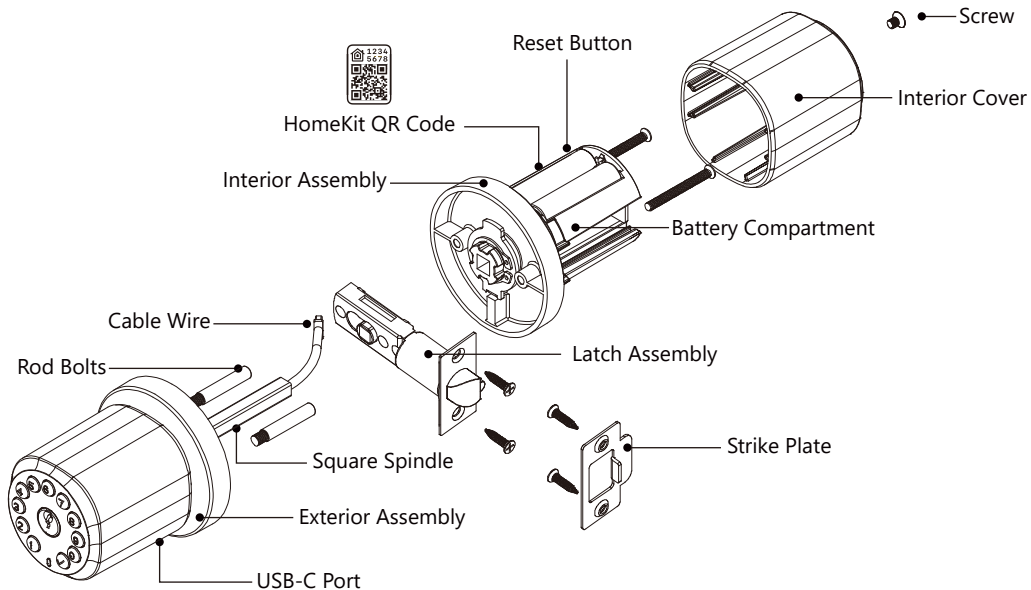



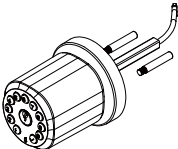
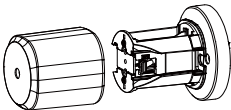
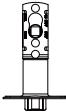

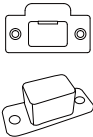



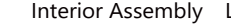

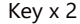
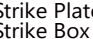

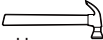






**[support@marqsmart.com](mailto:support@marqsmart.com)**



**[www.marqsmart.com](http://www.marqsmart.com)**

# What's in the Box



Tools		Parts				
 Phillips Screwdriver		    				
<b>Additional</b>						
 Drill	 Hole Saw Drill	 Exterior Assembly	 Interior Assembly	 Latch Assembly	 Key x 2	 Strike Plate Strike Box
 Chisel	 Hammer	 M4 Screws x 2 2-3/8" (60mm) For door thickness <b>48mm or above</b>	 M4 Screws x 2 1-3/5" (40mm) For door thickness <b>35 - 48mm</b> [on door knob set]	 M4 Screws x 1 2/5" (10mm) [on door knob set]	 Strike Plate Screws x 4 4/5" (20mm)	
 Tape Measure	 Pencil					

### Batteries

This lock requires 4 AA Alkaline batteries (Duracell or Energizer recommended) to be **purchased separately**. For best result, 1.2V Rechargeable batteries are NOT recommended. When all 4 batteries are installed in the correct position, you will hear a long beep and the keypad will illuminate green.



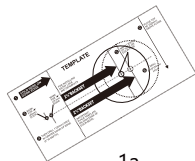
**DO NOT mix new batteries with used batteries when the product is in use.**  
**Use brand new batteries from a single brand.**

# 1 Prepare the door and check dimensions

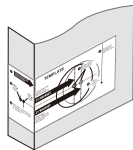
## For installation on new doors

### 1. Prepare door and jamb

- Take out the 'Door Marking Template' (Figure 1a).
- Fold template and place on door 36" (915mm) from the ground as marked (Figure 1b).



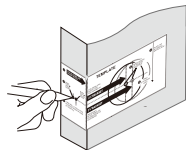
-1a-



-1b-

### 2. Mark the door for drilling

- Mark center hole on door edge through guide on template for 1" (25mm) latch bolt (Figure 2a).
- Mark center hole on door face through guide on template for 2-3/8" (60mm) or 2-3/4" (70mm) backset (Figure 2b).



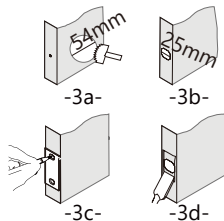
-2a-



-2b-

### 3. Drill and chisel door

- Drill 2-1/8" (54mm) hole through door face as marked for lock set (Figure 3a).
- Drill 1" (25mm) hole in center of door edge for Latch Assembly (Figure 3b).
- Insert Latch Assembly in hole keeping it parallel to face of door. Mark outline and remove latch (Figure 3c).
- Chisel 1/8" (3mm) deep or until latch face is flush with door edge (Figure 3d).

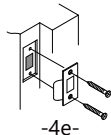
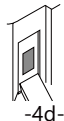
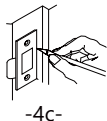
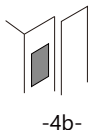
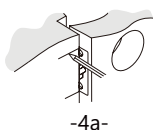


#### NOTE:

**For drive in Latch, drill hole size indicated on template and press until it is flush with door edge.**

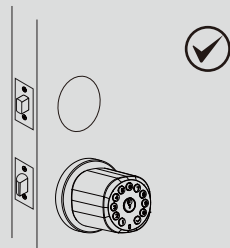
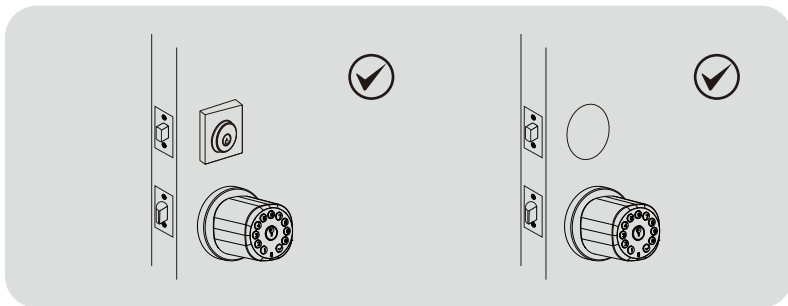
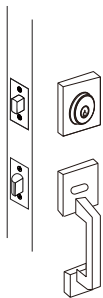
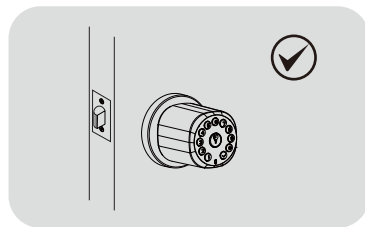
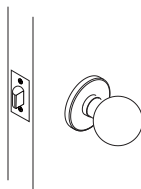
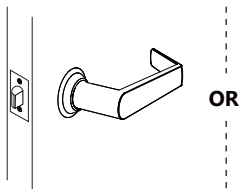
### 4. Mark and drill door jamb

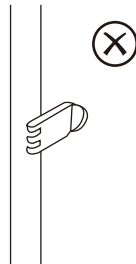
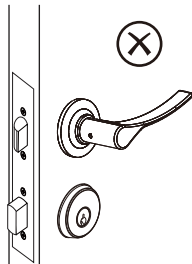
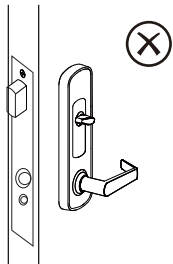
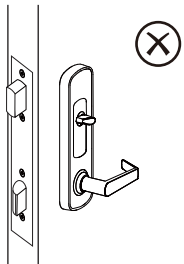
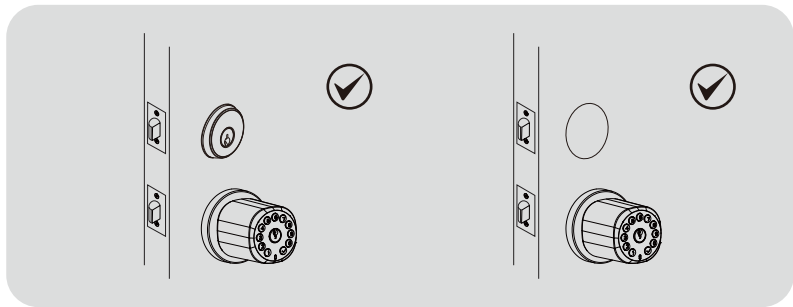
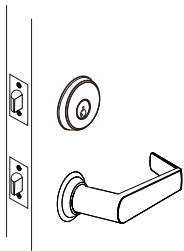
- Mark center hole on edge of jamb even with the center of the Latch Bolt on door edge (Figure 4a).
- Drill a hole in door jamb on center mark. Check if the strike plate measure can perfectly fits in (Figure 4b).
- Outline outside edges of Strike Plate (Figure 4c).
- Chisel 1/8" (3mm) deep for Strike Plate or until flush (Figure 4d).
- Install Strike Plate using two 3/4" (19mm) screws provided (Figure 4e).



## For installation on doors with pre-drilled holes

### 1. Check door compatibility / Remove existing door knob (if applicable)

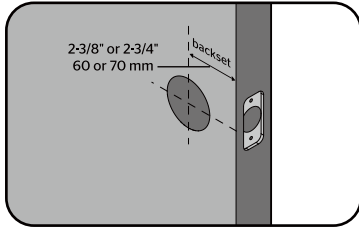




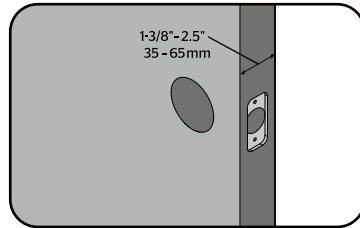


## 2. Double check door dimensions

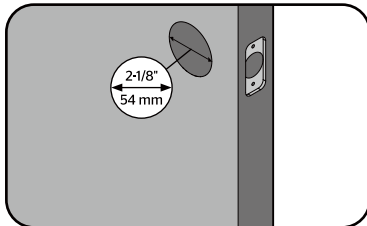
- 1 Backset: measure to confirm that the backset is either 2-3/8" or 2-3/4" (60 or 70mm).



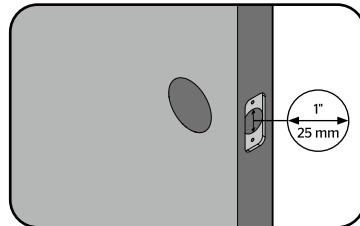
- 2 Thickness: measure to confirm that the door is between 1-3/8" to 2.5" (35mm to 65mm) thick.







- 3 Hole in the door: measure to confirm that the hole in the door is 2-1/8" (54mm).



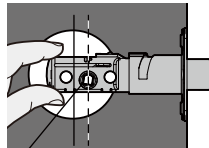
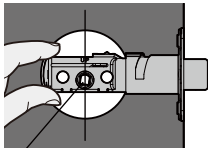
- 4 Hole in the door edge: measure to confirm that the hole in the door edge is 1" (25mm).



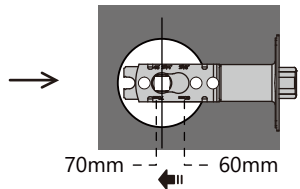
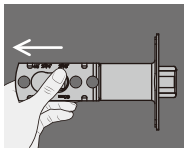
-  **DO NOT** use an electric screwdriver, only hand tighten screws with Phillips screwdriver.
-  **DO NOT** over-tighten screws.
-  **DO NOT** install this product if your door thickness is out of range.
-  **DO NOT** mix new batteries with used batteries when the product is in use. Use brand new batteries from a single brand.

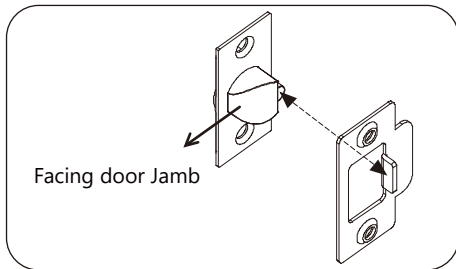
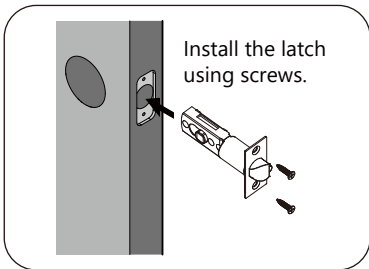
## 2 Install the Latch and Strike Plate

Hold the latch in front of the door hole, with the latch face flush against the door edge. Make sure the square-shaped hole is centered.



For 2-3/4" (70mm) backset, pull to extend the latch in order to center the squared-shaped hole.



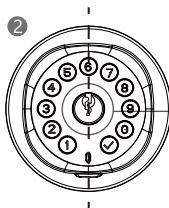
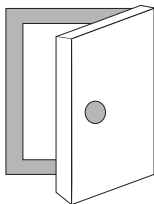


In most cases, the existing strike plate is ready to be used. You may store the strike plate in box for future use.

If not, please make sure the bolt is aligned correctly with the strike plate.

### 3 Install the Exterior Assembly

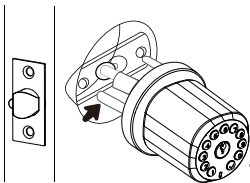
1  
Make sure the door is open.



2  
Make sure the keyhole is in vertical position.

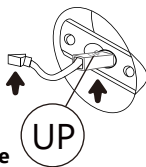
Insert the Exterior Assembly onto the door with the rod bolts going through the round holes on the latch, and the square spindle and the control wire going through the square-shaped (center) hole.

3



The "UP" mark on the spindle should face upward

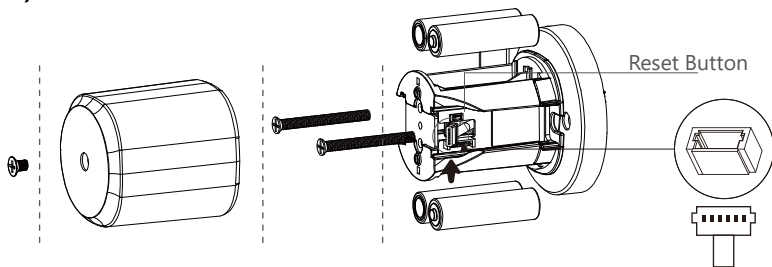
4



4  
Forcing the control wire into any other place than specified above will damage the connector, making the door knob unusable.

## 4 Install the Interior Assembly

- 1 Remove the screw on top and then pull out the cover.
- 2 Install interior knob onto the door with the rod bolts going through the round holes on the latch, and the square spindle and the control wire going through the square-shaped (center) hole.
- 3 Secure both exterior and interior knobs to the door using the 2-3/8" (60mm) or 1-3/5" (40mm) screws. Tighten them with a Phillips Screwdriver (**DO NOT over-tighten**).
- 4 Plug the control wire male plug to the female socket located on the battery compartment.
- 5 Install the batteries into the compartment.
- 6 Press and hold the reset button until you hear a long beep.
- 7 Install and then secure the cover with the screw.

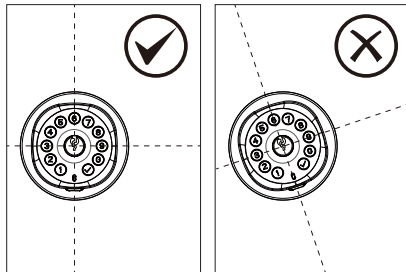


## 5 Testing door knob

- Always test with door open.
- Make sure both the interior and exterior knobs are not slanted. ➔
- Press ✓ and test the exterior knob. The bolt should move smoothly in and out.
- Use keys to test the exterior knob. The bolt should move smoothly in and out.
- Test the interior knob. The bolt should move smoothly in and out.
- Close the door to make sure the bolt fits in the hole on jamb.

### NOTE:

- Make sure the door knob has been reset successfully.
- If you forget your passcode, you may refer to the app or unlock using backup keys.
- If you happen to lose your backup keys at the same time, please immediately contact a locksmith for assistance.



**Congratulations! Secura is ready for use.**

## 6 Using door knob

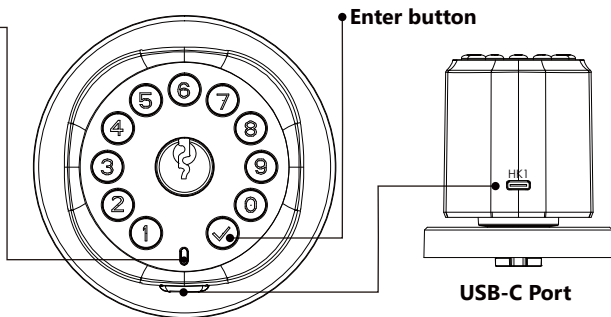
### Indicator light

#### Green

- Indicates a setting is successful and activated
- Unlocking successful

#### Red

- Indicates a setting is unsuccessful and deactivated
- Low-battery warning



### Enter button

### USB-C Port

### Batteries

This lock requires 4 AA Alkaline batteries (Duracell or Energizer recommended) to be **purchased separately**. For best result, 1.2V Rechargeable batteries are NOT recommended. When all 4 batteries are installed in the correct position, you will hear a long beep and the keypad will illuminate green.



If the batteries die due to long idle time, use type-C cable with a power source such as a power bank for emergency power. As soon as unlocking is successful, immediately replace with new batteries.



## 7 Pair your door knob to your iPhone



### Compatibility

- iPhone/iPad with the latest version of iOS strongly recommended.

★ **Requires a Thread-enabled Apple Home hub for use with a Thread network.**

For best result, the door knob should be within 30 feet of one of the Thread-enabled Apple Home hubs, or a router node (Full Thread Device) for remote capability.

### Key Exclusive Features

- Control lock and view status in real-time
- Manage user access (passcodes)
- Check lock activity
- Enable/disable settings
- Firmware update



Lock / Unlock



Auto-Lock



Manage Access



Anti-Peep



Lock Activity



Firmware Update

## Buzzer and Status Indicator

<b>Action</b>	<b>Buzzer</b>	<b>Indicator</b>
Power on	Long beep	Stays green for a while
Press a button	Beeps once	Blinks green once
Unlocking successful	Long beep	Stays green for a while
Locking successful	Long beep	Stays green for a while
Silent mode on	Silent	Stays green for a while
Silent mode off	Long beep	Stays green for a while
Auto-Lock completed	Long beep	Stays green for a while
Immediate Lock completed	Long beep	Stays green for a while
Resetting successful	Long beep	Stays green for a while
Press a button when keys are locked up	Beeps twice	Blinks red twice
Operation failed	Beeps twice	Blinks red twice
Low batteries warning	Beeps 5 times	Blinks red 5 times











## Account management



**To setup HomeKit Guest Access, please go to the Home app.  
For full management options please go to the Sleekpoint app.**

## Settings

<b>Resetting the Door Knob/ Entering Pairing Mode</b>	Remove the screw and cover from the interior assembly. Press and hold the Reset Button until you hear a long beep sound along with the green light, and then the door knob will reboot itself until you hear another long beep sound along with green light, indicating the reset is successful. Meanwhile, the pairing mode is activated for adding the device to HomeKit
<b>Anti-Peep</b>	The Anti-Peep technology is used for protecting your passcode from prying eyes. You may enter up to 20 digits including your passcode to unlock the door knob.

<p><b>Auto-Lock</b></p>	<p>Turn on Auto-Lock:  &gt; unlimited passcode &gt;  &gt; 4 &gt; </p> <p>Turn off Auto-Lock:  &gt; unlimited passcode &gt;  &gt; 5 &gt; </p> <p>In-app Auto-Lock Settings: The door knob will automatically lock after set time in the Sleekpoint app.</p>
<p><b>Silent Mode</b></p>	<p>Turn on/off Silent Mode (Buzzer)</p> <p> &gt; unlimited passcode &gt;  &gt; 6 &gt; </p> <p>You may turn on silent mode to deactivate the buzzer.</p>
<p><b>Immediate locking</b></p>	<p>Press  to lock immediately.</p>



**SAVE THESE IMPORTANT INSTRUCTIONS FOR EASY REFERENCE.**

## Troubleshooting

<p><b>No indicator nor sound response from pressing a button</b></p>	<ol style="list-style-type: none"><li>1. Remove the cover from the interior assembly and then check if the cable wire is securely attached. If not, remove the connector and then plug in again.</li><li>2. Make sure the batteries are inserted properly (correct polarity).</li><li>3. Make sure the batteries have enough power.</li><li>4. Check if the door knob is in Silent Mode.</li></ol> <p><b>If you are stuck outside and not able to access battery compartment, use USB-C emergency power to power on the door knob.</b></p>
<p><b>Latch will not extend or retract completely when closed</b></p>	<ol style="list-style-type: none"><li>1. Check the size of the hole in the door edge and adjust according to installation guide.</li><li>2. Check if the latch is installed properly according to the backset length.</li><li>3. Make sure the thinner edge of both the interior and exterior knobs heads downward and vertically to the floor.</li></ol>

<p><b>Bolt is not able to go through the strike plate</b></p>	<ol style="list-style-type: none"> <li>1. Make sure the bolt aligns with the strike plate.</li> <li>2. Make sure the bolt edge can slide into the strike plate.</li> <li>3. Make sure depth of the hole in door jamb fits the bolt.</li> </ol>
<p><b>Failed to unlock using a passcode:</b></p>	<ol style="list-style-type: none"> <li>1. Go to access management in app and double-check if the passcode entered is correct.</li> <li>2. Check if the buttons work properly: Turn off Silent Mode, and then press each button. You should hear the buzzer every time.</li> <li>3. Reset the door knob to default admin. passcode.</li> </ol>
<p><b>Failed to lock or unlock/ Failed to fully turn the knob</b></p>	<ol style="list-style-type: none"> <li>1. Check if the screws are overtightened when installing the interior piece.</li> <li>2. Check if both knobs are slanted from the door edge.</li> <li>3. Make sure the battery level is high and no mixing of new batteries with the old ones.</li> </ol>

## 8 Important safeguard

---

- When sending a user code, always double-check that you are sending it to the correct recipient.
- Dispose of used batteries according to local laws and regulations.
- Always have access to your lock's standard key.
- Prevent water and liquids from getting into the lock's electric parts or battery compartment.
- Replace batteries immediately as soon as you are warned.

**WARNING:** This Manufacturer advises that no lock can provide complete security by itself. This lock may be defeated by forcible or technical means, or evaded by entry elsewhere on the property. No lock can substitute for caution, awareness of your environment, and common sense. Builder's hardware is available in multiple performance grades to suit the application. In order to enhance security and reduce risk, you should consult a qualified locksmith or other security professional.

## 9 FCC WARNINGS

---

This device complies with part 15 of the FCC Rules. Operation is subject to the following two conditions: (1) This device may not cause harmful interference, and (2) this device must accept any interference received, including interference that may cause undesired operation. Note: This equipment has been tested and found to comply with the limits for a Class B digital device, pursuant to part 15 of the FCC Rules. These limits are designed to provide reasonable protection against harmful interference in a residential installation. This equipment generates, uses and can radiate radio frequency energy and, if not installed and used in accordance with the instructions, may cause harmful interference to radio communications. However, there is no guarantee that interference will not occur in a particular installation. If this equipment does cause harmful interference to radio or television reception, which can be determined by turning the equipment off and on, the user is encouraged to try to correct the interference by one or more of the following measures:

- Reorient or relocate the receiving antenna.
- Increase the separation between the equipment and receiver.
- Connect the equipment into an outlet on a circuit different from that to which the receiver is connected.
- Consult the dealer or an experienced radio/TV technician for help.

Warning: Changes or modifications made to this device not expressly approved by Shenzhen Rundian Innovation Technology Co. Ltd. may void the FCC authorization to operate this device. Note: The manufacturer is not responsible for any radio or TV interference caused by unauthorized modifications to this equipment. Such modifications could void the user's authority to operate the equipment.

Contains FCC ID: 2AA72-PTR9818