



American Bass
"Excellence In Sound"

XR-10D4

WORLD CHAMPIONS
WORLD LEADERS IN SPL PRODUCTS

American Bass USA 31200 Solon RD
Unit 4 Solon Ohio 44139
800 798 9311
Tel: 440 248 5858
Fax: 440 248 6022
E-mail: Info@americanbassusa.com
Website: www.americanbassusa.com

SUBWOOFER SPEAKER SYSTEM
OWNER'S MANUAL

Thank you for purchasing a **AMERICAN BASS** subwoofer. It is a state-of-the-art product specifically designed and engineered for vehicle use, and has been thoroughly tested to ensure consistent and reliable performance.

Should you have any questions regarding the installation or operation of your **AMERICAN BASS** subwoofer, which are not answered in this manual, please contact your dealer for assistance.

FEATURES

10" Subwoofer

RMS / MAX Power : 1000W / 2000W

Stitched Rubber Surround

Fiberglass Reinforced Cone

Dual 4 ohm 3" Aluminum Voice Coil

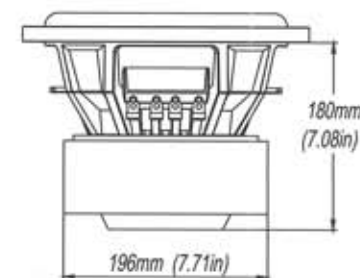
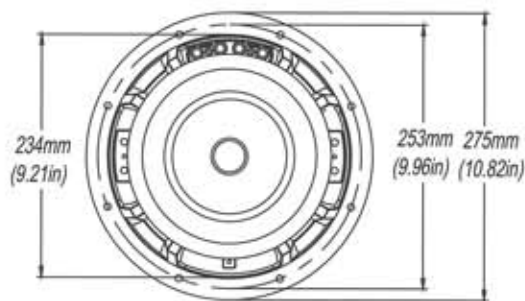
200 Oz Magnet Structure

PVC Gasket Ring

PVC Magnet Boot

PRECAUTIONS

- Before making holes, check the mounting space with supplied template.
- To prevent noise pick-up, keep the wiring away from motors, high-voltage leads and other potential noise sources.
- To prevent a short-circuit, keep all wiring away from moving parts and sharp edges.
- Make sure you carefully read and understand the installation instructions before installing this subwoofer in your vehicle.



SPECIFICATIONS	XR-10D4
RMS / MAX Power (W)	1000 / 2000
Fo (Hz)	35
Nominal Impedance (Ω)	4+4
Sensitivity@1w/1m(dB)	88
Frequency Range	30Hz~500Hz
Magnet	200 Oz
Voice Coil	3"
Cone	Rubber Edge Paper Cone
Mounting Depth (inch)	7.087
Mounting Diameter (inch)	9.764



WORLD CHAMPIONS
WORLD LEADERS IN SPL PRODUCTS

American Bass USA 31200 Solon RD
Unit 4 Solon Ohio 44139
800 798 9311
Tel: 440 248 5858
Fax: 440 248 6022
E-mail: Info@americanbassusa.com
Website: www.americanbassusa.com

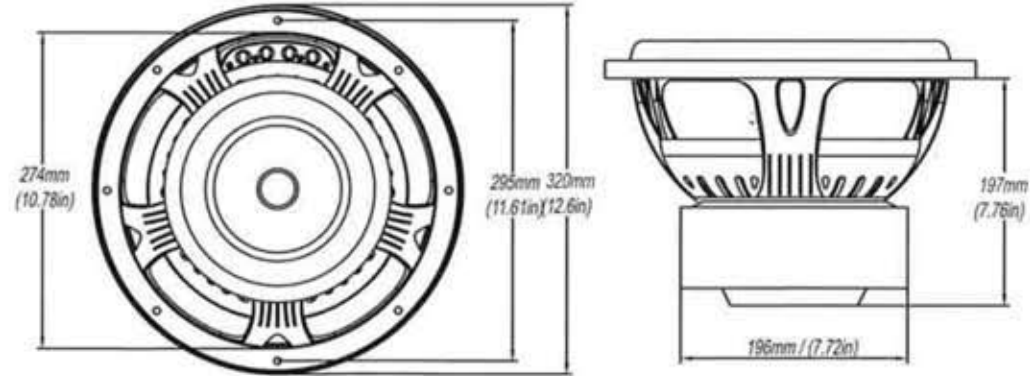
American Bass
"Excellence In Sound"

**XR-12D2
XR-12D4**

**SUBWOOFER SPEAKER SYSTEM
OWNER'S MANUAL**

Thank you for purchasing a **AMERICAN BASS** subwoofer. It is a state-of-the-art product specifically designed and engineered for vehicle use, and has been thoroughly tested to ensure consistent and reliable performance.

Should you have any questions regarding the installation or operation of your **AMERICAN BASS** subwoofer, which are not answered in this manual, please contact your dealer for assistance.



Features:

- 12 " Subwoofer
- RMS / MAX Power : 1200W / 2400W
- Stitched Rubber Surround
- Fiberglass Reinforced Cone
- Dual 2 & 4 ohm 3 " Aluminum Voice Coil
- 200 Oz Magnet Structure
- PVC Gasket Ring
- PVC Magnet Boot

Precautions

- Before making holes, check the mounting space with supplied template.
- To prevent noise pick-up, keep the wiring away from motors, high-voltage leads and other potential noise sources.
- To prevent a short-circuit, keep all wiring away from moving parts and sharp edges.
- Make sure you carefully read and understand the installation instructions before installing this subwoofer in your vehicle.

SPECIFICATIONS	XR-12D2	XR-12D4
RMS Power (W)	1200	1200
MAX Power (W)	2400	2400
Fo (Hz):	35	35
Nominal Impedance (Ω)	2+2	4+4
Sensitivity@1w/1m(dB)	89	89
Frequency Range	35Hz~500Hz	35Hz~500Hz
Magnet	200 Oz	200 Oz
Voice Coil	3"	3"
Cone	Rubber Edge Paper Cone	Rubber Edge Paper Cone
Mounting Depth (inch)	7.756	7.756
Mounting Diameter (inch)	11.614	11.614



WORLD CHAMPIONS
WORLD LEADERS IN SPL PRODUCTS

American Bass USA 31200 Solon RD
Unit 18 Solon Ohio 44139
800 798 9311
Tel: 440 248 5858
Fax: 440 248 6022
E-mail: Info@americanbassusa.com
Website: www.americanbassusa.com

American Bass
"Excellence In Sound"

XR-15D2
XR-15D4

SUBWOOFER SPEAKER SYSTEM
OWNER'S MANUAL

Thank you for purchasing a **AMERICAN BASS** subwoofer. It is a state-of-the-art product specifically designed and engineered for vehicle use, and has been thoroughly tested to ensure consistent and reliable performance.

Should you have any questions regarding the installation or operation of your **AMERICAN BASS** subwoofer, which are not answered in this manual, please contact your dealer for assistance.

Features:

- 15 " Subwoofer
- RMS / MAX Power : 1500W / 3000W
- Stitched Rubber Surround
- Fiberglass Reinforced Cap
- Dual 2 & 4 ohm 3 " Aluminum Voice Coil
- 200 Oz Magnet Structure
- PVC Gasket Ring
- PVC Magnet Boot

PRECAUTIONS

- Before making holes, check the mounting space with supplied template.
- To prevent noise pick-up, keep the wiring away from motors, high-voltage leads and other potential noise sources.
- To prevent a short-circuit, keep all wiring away from moving parts and sharp edges.
- Make sure you carefully read and understand the installation instructions before installing this subwoofer in your vehicle.

SPECIFICATIONS	XR-15D2	XR-15D4
RMS Power (W)	1500	1500
MAX Power (W)	3000	3000
Fo (Hz):	33	33
Nominal Impedance (Ω)	2+2	4+4
Sensitivity@1w/1m(dB)	86	86
Frequency Range	33Hz~500Hz	33Hz~500Hz
Magnet	200 Oz	200 Oz
Voice Coil	3"	3"
Cone	Rubber Edge Pape Cone	Rubber Edge Pape Cone
Mounting Depth (inch)	8.66	8.66
Mounting Diameter (inch)	14.09	14.09