

Warranty

All American Bass speaker are guaranteed to be free and void of defects due to manufacturer's faults for 1 year from date of purchase. All claims must be made at the place of purchase, and accompanied with the sales receipt.

WARNING: American Bass speaker are capable of producing sound levels that can permanently damage your hearing! turning up a system to a level that has audible distortion is more damaging to your ears than listening to an un-distorted system at the same volume level. The threshold of pain is indicator that the sound level is too loud and may damage your hearing. Please use common sense when controlling volume.



440 248 5858

www.americanbassusa.com

**31200 SOLON ROAD, SUITE 18 , SOLON , OHIO 44139
USA**

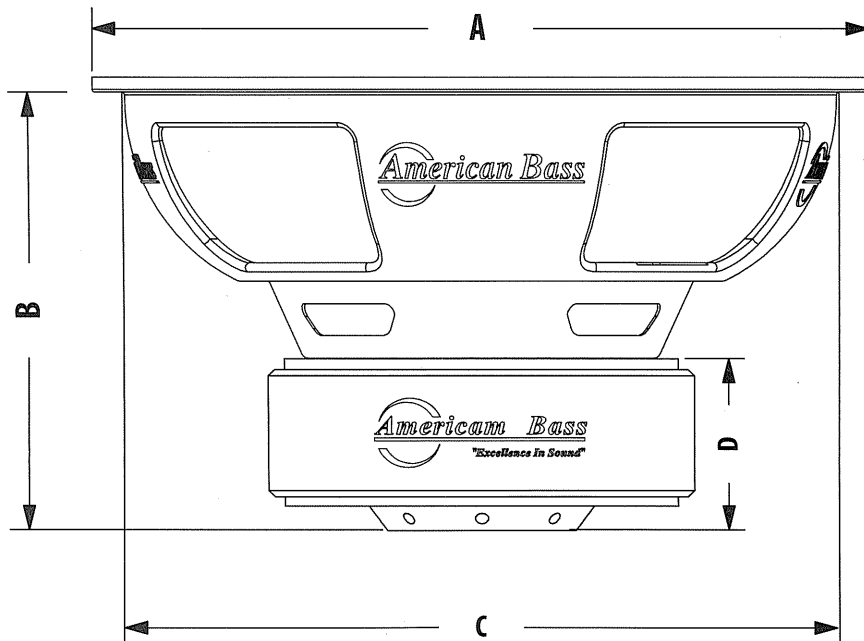
Congratulations! thank you for choosing American Bass speakers. We are proud to introduce these exciting new lines of outstanding performance products. Our engineering team utilizes innovative technology to bring you the absolute best performance, sound quality, reliability, and value

XD SERIES SUBWOOFER

Features:

- White powder finish heavy-duty stamped basket
- With perimeter vents for better voice coil cooling;
- Kevlar fiber enforced non-pressed paper cone;
- Over-sized 1.4" 3-layer foam surround;
- Hi-temp 4ohm 4-layer voice coil with Nomex protection;
- Mirror image double Conex spider system;
- Double stacked hi-energy magnets;
- Customs-made rubber gasket
- Customs-made rubber magnet boot;

Model	A	B	C	D
XD844 V.2	210mm	131mm	190mm	58mm
XD1022/1044	256mm	155mm	229mm	40mm
XD1222/1244	311mm	167mm	288mm	40mm
XD1522/1544	388mm	194mm	357mm	74mm



Technical Data/Specification

Model	XD 844 V.2	XD-1022	XD-1044	XD-1222	XD-1244	XD-1522	XD1544
Voice Coil Diameter (mm/inch)	50.8/2	61.1/2.5	61.1/2.5	61.1/2.5	61.1/2.5	76.5/3	76.2/3
Impedance Ohm	Dual 4	Dual 2	Dual 4	Dual 2	Dual 4	Dual 2	Dual 4
FS Hz	49.759	43.625	41.727	40.956	39.956	38.1	34.54
Qms	5.397	6.655	4.211	5.412	5.116	5.7	6.168
Qes	0.694	0.582	0.72	0.672	0.799	0.634	0.666
Qts	0.615	0.535	0.616	0.598	0.691	0.625	0.601
Vas (Liter)	6.412	12.406	13.295	25.875	30.444	44.5	51.44
MMS (g)	91.593	175.896	186.41	219	196	378	388.285
Xmax mm/inch	10.4/0.4	11.35/0.44	11.35/0.44	11.35/0.44	11.35/0.44	20/0.78	20/0.78
SPL db/m	82.4	84.4	83.1	86.1	85.7	88.2	87.4
BL TESLA-M	17.23	17.27	20.82	17.39	19.85	12.4	28.256
Max Power(Watts)	900	1000	1000	1000	1000	2000	2000