

# American Bass

"Excellence In Sound"

**1 800 798 9311**

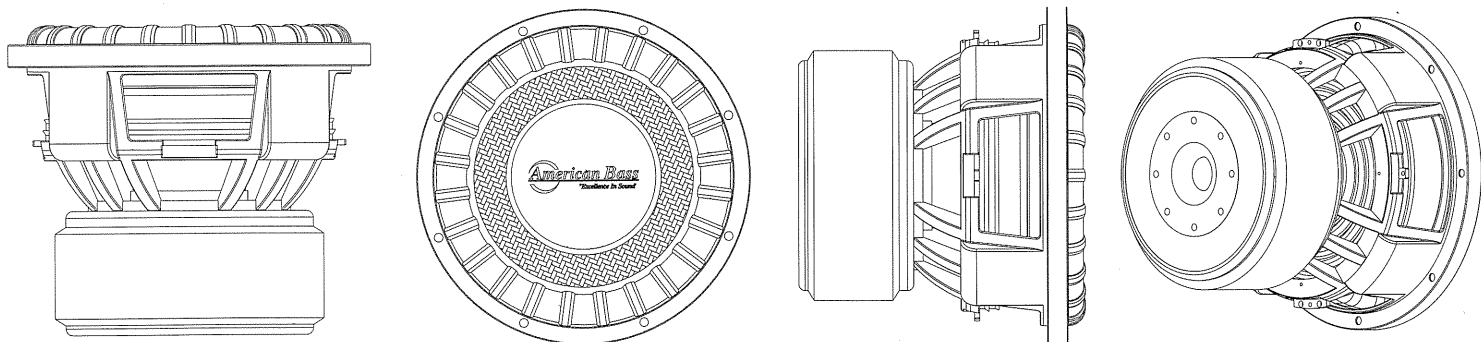
**www.americanbassusa.com**

31200 SOLON ROAD, SUIT 18, SOLON, OH 44139 PH: (216) 662-2525

Congratulations! thank you for choosing *American Bass* speakers. We are proud to introduce these exciting new lines of outstanding sounding products. Our engineering team utilizes innovative technology to bring you the absolute best performance, sounding quality, reliability and value.

## **VFL-COMP SIGNATURE series D1/D2 Subwoofers Features**

- \*Heavy duty die cast basket with black power finish;
- \*Black Kevlar fiber woven non-press paper composite cone;
- \*Hi-roll high density foam surround with red stitching;
- \*4" hi-temp 4-layer flat aluminum wire voice coil on aluminum bobbin;
- \*6pcs double black poly-cotton spiders with mirror-image layout spaced by spider ring, double thick tinsel stitched on spider;
- \*Triple stacked 168oz strontium magnets (504oz total);
- \*1-pc technology T-yoke for maximum excursion;
- \*Voice coil direct cooling design motor;
- \*10-gauge pure copper power cable for direct connecting;
- \*Rubber gasket and rubber magnet boot;
- \*Dual 1ohm/2ohm impedances;
- \*5000W RMS power, 10000W Max power.



**WARNING** All *American Bass* speakers are capable of producing sound levels that can permanently damage your hearings! Turning up a system to a level that has audible distortion is more damaging to your ears than listening to an undistorted system at the same volume level. The threshold of pain is always an indicator that the sound level is too loud and may permanently damage your hearing. Please use common sense when controlling volume.

## VFL-COMP SIGNATURE series Dual 1-ohm Subwoofer T/S Parameters

	Imp	POWER	VC	Dcr	Fs	SD	BL	Qms	Qes	Qts	EBP	n	SPLo	Vas	Cms	Mms	Mmd	Xmax	Xmech	AGH
MODLE	ohm	rms W	size	ohm	Hz	msgM	Tm						dB	L	i m/N	g	g	±mm	mm	mm
VFL-COMP SIGNATURE 12D1	0.5	5000	4"	0.4	34.1	51.1	8.732	4.967	0.497	0.452	75	0.158	84.1	17.2	46.5	417.2	410.6	27.5	45	25
VFL-COMP SIGNATURE 12D1	2	5000	4"	1.6	35.0	51.1	18.55	4.389	0.446	0.405	86	0.172	84.4	17.1	46.1	425.0	418.3	27.5	45	25
VFL-COMP SIGNATURE 15D1	0.5	5000	4"	0.4	35.2	77.9	9.213	4.855	0.480	0.437	81	0.337	87.3	38.3	44.4	460.2	447.7	27.5	45	25
VFL-COMP SIGNATURE 15D1	2	5000	4"	1.6	34.5	77.9	18.87	4.394	0.489	0.440	78	0.296	86.7	36.6	42.4	502.3	489.8	27.5	45	25
VFL-COMP SIGNATURE 18D1	0.5	5000	4"	0.4	32.7	113.4	7.882	5.280	0.643	0.573	57	0.467	88.7	89.1	48.8	486.4	464.5	27.5	45	25
VFL-COMP SIGNATURE 18D1	2	5000	4"	1.6	33.6	113.4	17.34	4.494	0.610	0.537	63	0.537	88.6	88.5	48.2	485.3	463.3	27.5	45	25

\*Above parameters are tested after each subwoofer was break-ined with 85V 50Hz input with 2ohm load for 3hours.

\*AGH: Air Gap Height.

## VFL-COMP SIGNATURE series Dual 2-ohm Subwoofer T/S Parameters

	Imp	POWER	VC	Dcr	Fs	SD	BL	Qms	Qes	Qts	EBP	n	SPLo	Vas	Cms	Mms	Mmd	Xmax	Xmech	AGH
MODLE	ohm	rms W	size	ohm	Hz	msgM	Tm						dB	L	i m/N	g	g	±mm	mm	mm
VFL-COMP SIGNATURE 12D2	1	5000	4"	0.8	33.8	51.1	12.42	4.425	0.483	0.435	78	0.145	83.6	18.7	50.6	438.1	431.4	27.5	45	25
VFL-COMP SIGNATURE 12D2	4	5000	4"	3.2	33.6	51.1	26.15	3.968	0.443	0.398	84	0.154	83.9	18.5	50.0	447.7	441.1	27.5	45	25
VFL-COMP SIGNATURE 15D2	1	5000	4"	0.8	31.9	77.9	13.34	4.413	0.501	0.450	71	0.242	85.8	38.6	44.7	556.4	543.9	27.5	45	25
VFL-COMP SIGNATURE 15D2	4	5000	4"	3.2	32.3	77.9	26.84	4.123	0.478	0.428	75	0.269	85.3	39.6	45.9	530.9	518.4	27.5	45	25
VFL-COMP SIGNATURE 18D2	1	5000	4"	0.8	32.9	113.4	11.86	4.938	0.554	0.498	66	0.564	89.5	90.6	49.6	471.4	449.4	27.5	45	25
VFL-COMP SIGNATURE 18D2	4	5000	4"	3.2	32.5	113.4	24.78	4.257	0.530	0.471	69	0.551	89.4	88.0	48.2	498.0	476.1	27.5	45	25

\*Above parameters are tested after each subwoofer was break-ined with 65V 50Hz input with 1ohm load for 3hours.

\*AGH: Air Gap Height.

## VFL-COMP SIGNATURE series D1/D2 DIMENSIONS

Dimensions	Value	VFL-COMP SIGNATURE 12D1/D2		VFL-COMP SIGNATURE 15D1/D2		VFL-COMP SIGNATURE 18D1/D2	
Diameter A	mm	325	325	395	395	470	470
Diameter B	mm	303	303	375	375	442	442
Diameter C	mm	288	288	350	350	420	420
Diameter D	mm	260	260	260	260	260	260
Depth E	mm	115	115	115	115	115	115
Depth F	mm	16	16	18	18	18	18
Depth G	mm	242	242	258	258	289	289
Depth H	mm	281	281	297	297	332	332
Vd	L	10.9	10.9	13.5	13.5	15.9	15.9

