

## **Warranty**

All American Bass speaker are guaranteed to be free and void of defects due to manufacturer's faults for 1 year from date of purchase. All claims must be made at the place of purchase, and accompanied with the sales receipt.

**WARNING:** American Bass speaker are capable of producing sound levels that can permanently damage your hearing! turning up a system to a level that has audible distortion is more damaging to your ears than listening to an un-distorted system at the same volume level. The threshold of pain is indicator that the sound level is too loud and may damage your hearing. Please use common sense when controlling volume.



**440 248 5858**

**[www.americanbassusa.com](http://www.americanbassusa.com)**

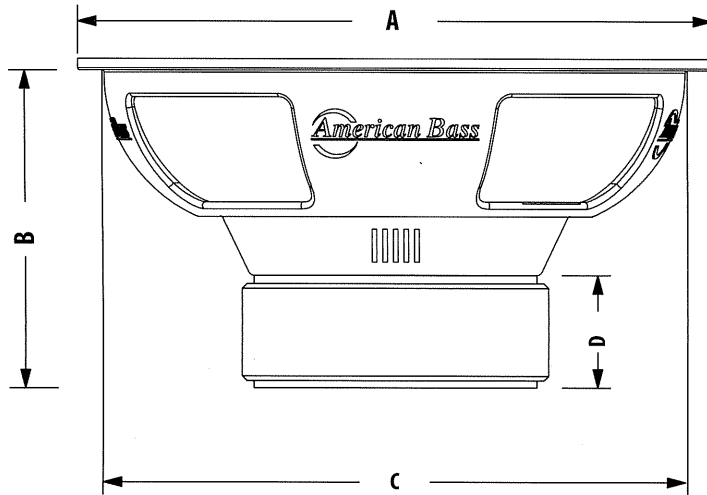
**31200 SOLON ROAD, SUITE 18 , SOLON , OHIO 44139  
USA**

Congratulations! thank you for choosing American Bass speakers. We are proud to introduce these exciting new lines of outstanding performance products. Our engineering team utilizes innovative technology to bring you the absolute best performance, sound quality, reliability, and value

# TITIAN SERIES SUBWOOFER

## Features:

- White powder finish heavy-duty stamped basket
- With perimeter vents for better voice coil cooling;
- Kevlar fiber enforced non-pressed paper cone;
- 3-layer foam surround;
- Hi-temp 4ohm 4-layer voice coil with Nomex protection;
- Mirror image double Conex spider system;
- Double stacked hi-energy magnets;



Model	A	B	C	D
TITAN 1044	257mm	161mm	228mm	76mm
TITAN 1244	311mm	173mm	288mm	76mm

## Technical Data/Specification

Model	TITIAN 1044	TITIAN 1244
Voice Coil Diameter( mm/inch)	76.5/3	76.5/3
Impedance Ohm	Dual 4	Dual 4
Re Ohm	6.4	6.4
FS Hz	36.01	33.19
Sd	334.56	502.91
Md g	150	150
BL	21.14	21.78
Qms	4.37	4.68
Qes	0.66	0.72
Qts	0.57	0.62
No	0.14	0.15
SPL dB	84.2	85.9
Vas L	15.23	31.98
Cms	95.82	89.04
Krm	18.47	22.82
Erm	0.76	0.74
MMS g	203	258
MMd	200	251
Kxm	61.99	61.96
Exm	0.69	0.69
Xmax mm	17.5	17.5
Rms Power(Watts)	800	800
Max Power(Watts)	1600	1600