

## Warranty

All American Bass speaker are guaranteed to be free and void of defects due to manufacturer's faults for 1 year from date of purchase. All claims must be made at the place of purchase, and accompanied with the sales receipt.

**Warning:** American Bass speaker are capable of producing sound levels that can permanently damage your hearing! turning up a system to a level that has audible distortion is more damaging to your ears than listening to an un-distorted system at the same volume level. The threshold of pain is indicator that the sound level is too loud and may damage your hearing. Please use common sense when controlling volume.



**440 248 5858**

[www.americanbassusa.com](http://www.americanbassusa.com)

31200 SOLON ROAD, SUITE 18, SOLON, OHIO 44139  
USA

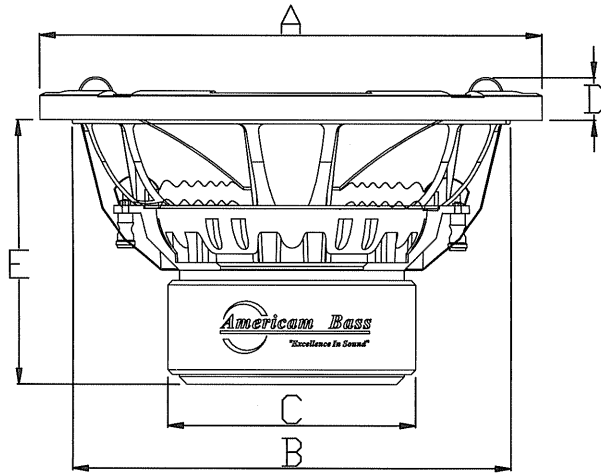
Congratulations! thank you for choosing American Bass speakers. We are proud to introduce these exciting new lines of outstanding performance products. Our engineering team utilizes innovative technology to bring you the absolute best performance, sound quality, reliability and value.

[www.americanbassusa.com](http://www.americanbassusa.com)

## TITAN SERIES SUBWOOFER

### Features:

- Black powder finish heavy-duty stamped basket
- With perimeter vents for better voice coil cooling;
- Kevlar fiber enforced non-pressed paper cone;
- Over-sized 1.4" 3-layer foam surround;
- Hi-temp 4ohm 4-layer voice coil with Nomex protection;
- Mirror image double Conex spider system;
- Double stacked hi-energy magnets;
- Customs-made rubber gasket;
- Customs-made rubber magnet boot;



	A	B	C	D	E
MODEL	mm/inch	mm/inch	mm/inch	mm/inch	mm/inch
TITAN 1544	395/15.55	355/13.97	196/7.71	29/1.14	194/7.63

## Technical Data/Specification

Model	TITAN 1544
Voice Coil Diameter( mm/inch)	76.5/3
Impedance Ohm	Dual 4
Re Ohm	6
FS Hz	42.772
Sd	834.69
Md g	200
BL	25.129
Qms	6.255
Qes	0.831
Qts	0.734
No	0.383
SPL dB	87.9
Vas L	42.076
Cms	42.53
Krm	63.716
Erm	0.686
MMS g	325.661
MMd	331.695
Kxm	93.03
Exm	0.706
Xmax mm	18
Rms Power(Watts)	1500
Max Power(Watts)	3000