

KING SERIES SUBWOOFER

Features:

Black textured finish die-casting basket

Carbon cone foam surround

4.5" 4-layer high temperature resistant Flat wire voice coil

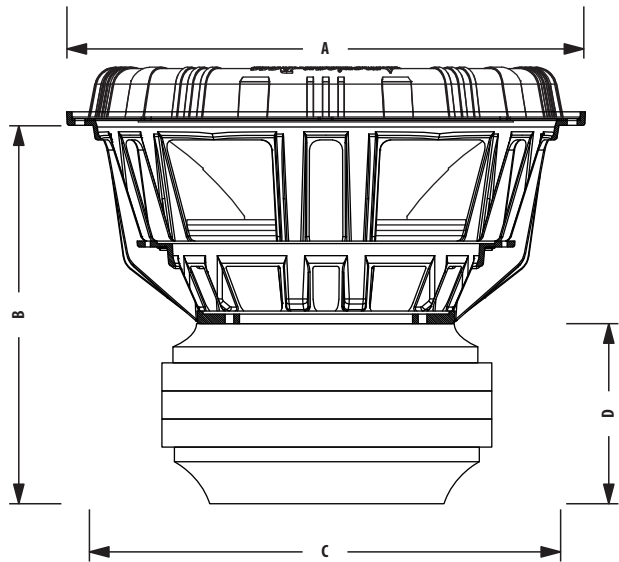
Carbon fiber dust cap

Triple stacked high energy 613 Oz magnets

Direct cooling design T-yoke with black anodized treatment

Double black spider with mirrored layout

4GA copper push terminal



| Model | A | B | C | D |
|---------|-------|-------|-------|-------|
| KING-12 | 330mm | 280mm | 288mm | 160mm |
| KING-15 | 495mm | 310mm | 350mm | 160mm |

Technical Data/Specification

| Model | KING-12D1 | KING-12D2 | KING-15D1 | KING-15D2 |
|-------------------------------|-----------|-----------|-----------|-----------|
| Voice Coil Diameter(mm/inch) | 116/4.5 | 116/4.5 | 116/4.5 | 116/4.5 |
| Impedance Ohm | Dual 1 | Dual 2 | Dual 1 | Dual 2 |
| Re Ohm | 1.6 | 4 | 1.6 | 4 |
| FS Hz | 47.28 | 49.28 | 43.62 | 49.31 |
| Sd | 498 | 498.76 | 784.2 | 784.2 |
| Md g | 300 | 300 | 300 | 300 |
| BL | 21 | 27 | 20.24 | 30 |
| Qms | 5.33 | 5.66 | 4.948 | 3.94 |
| Qes | 0.63 | 0.69 | 0.69 | 0.77 |
| Qts | 0.56 | 0.64 | 0.61 | 0.65 |
| No | 0.106 | 0.07 | 0.206 | 0.234 |
| SPL dB | 82.3 | 80.7 | 85.2 | 85.7 |
| Vas L | 6.5 | 6.3 | 17.88 | 15.6 |
| Cms | 18.67 | 17.89 | 20.474 | 17.93 |
| Krm | 34.01 | 45.194 | 32.27 | 61.7 |
| Erm | 0.64 | 0.65 | 0.637 | 0.628 |
| MMS g | 606 | 582.9 | 650.18 | 580 |
| MMd | 600 | 576.5 | 637.5 | 567 |
| Kxm | 81 | 94.9 | 68.8 | 102 |
| Exm | 0.57 | 0.61 | 0.58 | 0.61 |
| Xmax mm | 22.5 | 22.5 | 22.5 | 22.5 |
| Rms Power(Watts) | 6500 | 6500 | 6500 | 6500 |
| Max Power(Watts) | 15000 | 15000 | 15000 | 15000 |