



## **INSTALLATION MANUAL**

---

PROFESSIONAL CAR AMPLIFIER

*MOBILE CAR AUDIO*

**XFL-DC4090**

**XFL-DC-4200**

**XFL-DC-2000**

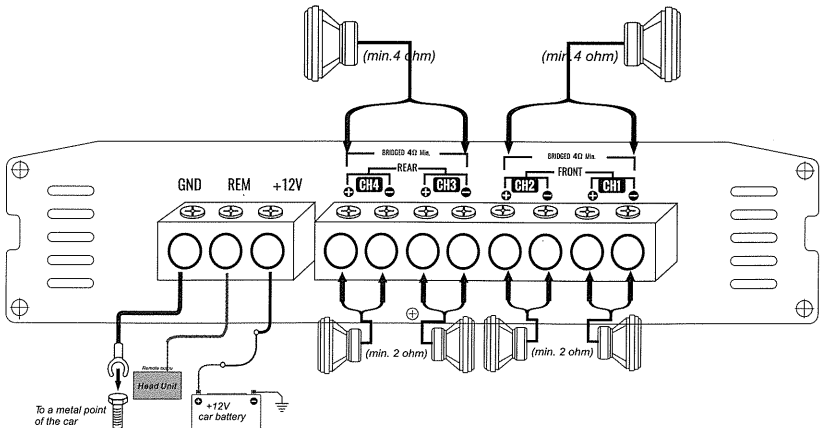
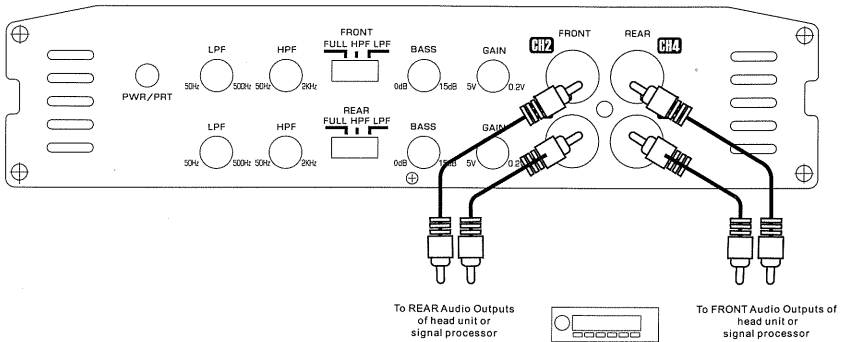
- We greatly appreciate your purchase of the unit.
- Be sure to take maximum advantage of all the unit has to offer, read these instructions carefully and USE the set properly. Be sure to keep this manual for future reference, should any questions or problems arise.

# Notes on the power supply

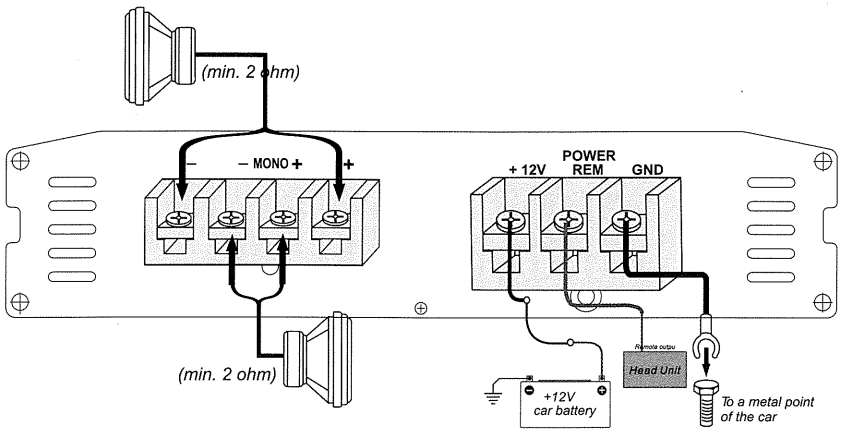
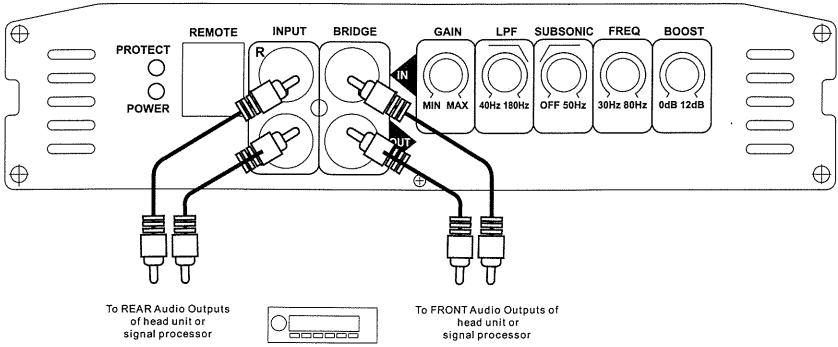
## POWER CONNECTION LEADS

- \* Connect the 12V power supply lead only after all the other leads have been connected.
- \* Be sure to connect the ground lead of unit securely to a metal point of the car. A loose connection may cause a malfunction of the amplifier.
- \* Be sure to connect the remote control lead of the head unit to the amplifier's remote terminal. A loose connection may cause a malfunction of the amplifier.
- \* When using a car audio without a remote output on the amplifier, connect the remote terminal to the accessory power supply.
- \* Use the power supply lead with a fuse attached (TWO 20A fuse)
- \* Place the fuse in the power supply lead as close as possible to the car battery.
- \* Make sure that the leads to be connected to the 12V and GND terminal of this unit are larger than 10-gauge (AWG #10) power cables.

## XFL-DC4090 / XFL-DC-4200



# XFL-DC-2000



# SPECIFICATIONS

Amplifier	XFL-DC4090	XFL-DC-4200	XFL-DC-2000
Output Power	4x80W@4ohm	4x100W@4ohm	1X100W@10HM
Low Pass Filter	20Hz-180Hz	20Hz-180Hz	20Hz-180Hz
High Pass Filter	50Hz-50KHz	50Hz-50KHz	50Hz-50KHz
Signal To Noise Rati	>95db	>95db	>95db
Input sensitivity	200mv-5v	200mv-5v	200mv-5v
Operation Voltage	DC 13.8V	DC 13.8V	DC 14.4V
Speaker Impedance	4 ohm	4 ohm	1 ohm

NOTE: Specifications & design subject to change without notice for improvements.