

American Bass

"Excellence In Sound"

1 800 798 9311

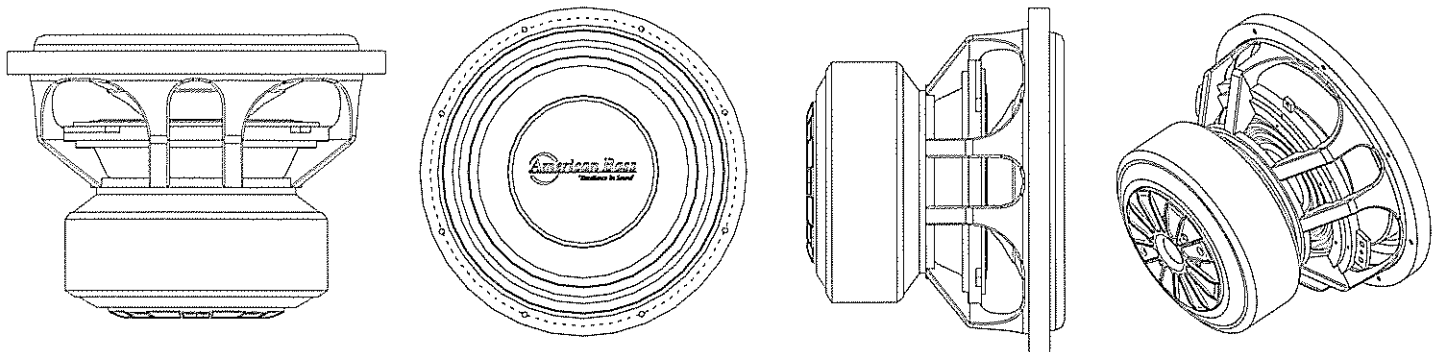
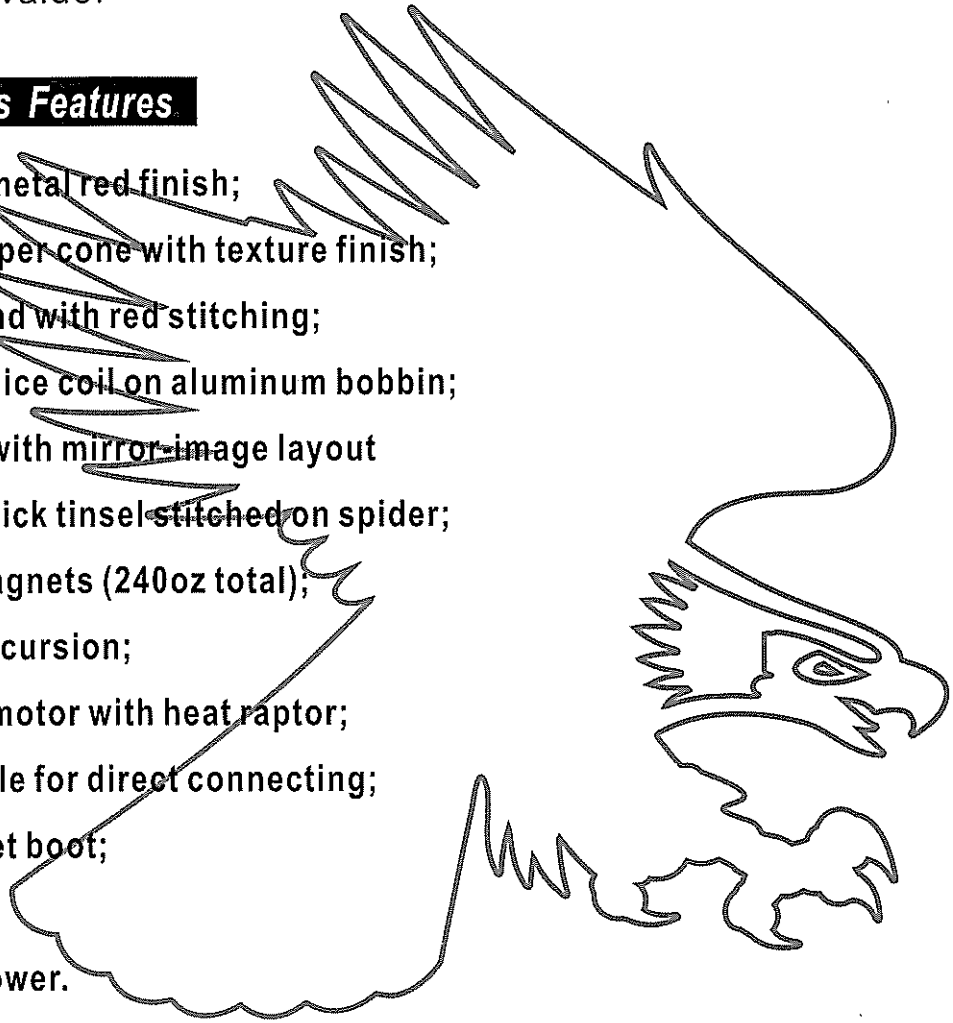
www.americanbassusa.com

31200 SOLON ROAD, SUIT 18, SOLON, OH 44139 PH: (216) 662-2525

Congratulations! thank you for choosing *American Bass* speakers. We are proud to introduce these exciting new lines of outstanding sounding products. Our engineering team utilizes innovative technology to bring you the absolute best performance, sounding quality, reliability and value.

HAWK series D2/D4 Subwoofers Features

- *Heavy duty die cast basket with metal red finish;
- *Kevlar fiber added non-press paper cone with texture finish;
- *Hi-roll high density foam surround with red stitching;
- *3" hi-temp 4-layer copper wire voice coil on aluminum bobbin;
- *4pcs black poly-cotton spiders with mirror-image layout spaced by spider ring, double thick tinsel stitched on spider;
- *Triple stacked 80oz strontium magnets (240oz total);
- *1-pc tech T-yoke for maximum excursion;
- *Voice coil direct cooling design motor with heat raptor;
- *10-gauge pure copper power cable for direct connecting;
- *Rubber gasket and rubber magnet boot;
- *Dual 2ohm/4ohm impedances;
- *1500W RMS power, 3000W Max power.



WARNING All *American Bass* speakers are capable of producing sound levels that can permanently damage your hearings! Turning up a system to a level that has audible distortion is more damaging to your ears than listening to an undistorted system at the same volume level. The threshold of pain is always an indicator that the sound level is too loud and may permanently damage your hearing. Please use common sense when controlling volume.

HAWK series Dual 2-ohm Subwoofer T/S Parameters

MODEL	Imp	POWER	VC	Dcr	Fs	SD	BL	Qms	Qes	Qts	EPB	SPLo	Vas	Cms	Mms	Mmd	Xmax	Xmech	AGH
	ohm	rms W	Inch	ohm	Hz	msqM	Tm				Hz	dB	L	µm/N	g	g	±mm	±mm	mm
HAWK-1022	1	1500	3.0	0.9	34.2	33.0	10.91	4.866	0.338	0.316	108	84.9	15.7	99.2	212.6	205.7	12.0	48.0	14.0
HAWK-1022	4	1500	3.0	3.8	34.2	33.0	23.61	4.527	0.327	0.305	112	84.8	15.4	97.1	223.3	216.4	12.0	48.0	14.0
HAWK-1222	1	1500	3.0	0.9	33.6	51.1	11.82	5.350	0.382	0.356	94	86.8	28.8	77.7	272.4	259.1	14.5	45.5	14.0
HAWK-1222	4	1500	3.0	3.8	33.0	51.1	25.25	5.281	0.371	0.347	95	86.6	28.0	75.7	289.3	276.0	14.5	45.5	14.0
HAWK-1522	1	1500	3.0	0.9	30.6	80.4	11.72	5.293	0.432	0.400	77	88.7	72.4	78.9	342.9	316.7	14.5	45.5	14.0
HAWK-1522	4	1500	3.0	3.8	30.5	80.4	24.27	4.822	0.430	0.395	77	88.6	71.9	78.2	348.0	321.8	14.5	45.5	14.0

*Above parameters are tested after each subwoofer was break-ined with 76V 50Hz input with 4ohm load for 3hours.

*AGH: Air Gap Height.

HAWK series Dual 4-ohm Subwoofer T/S Parameters

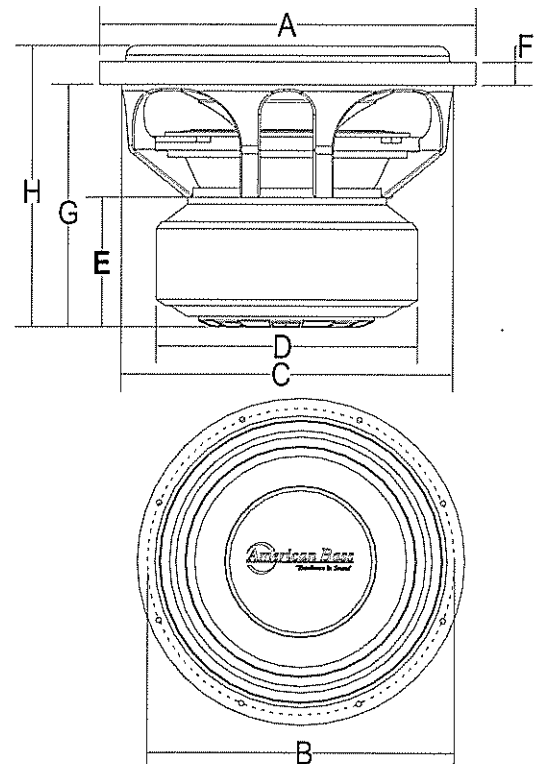
MODEL	Imp	POWER	VC	Dcr	Fs	SD	BL	Qms	Qes	Qts	EPB	SPLo	Vas	Cms	Mms	Mmd	Xmax	Xmech	AGH
	ohm	rms W	Inch	ohm	Hz	msqM	Tm				Hz	dB	L	µm/N	g	g	±mm	±mm	mm
HAWK-1044	2	1500	3.0	1.8	35.5	33.0	14.53	4.202	0.323	0.299	119	85.6	14.4	93.3	192.9	186.1	12.0	48.0	14.0
HAWK-1044	8	1500	3.0	6.6	35.0	33.0	30.85	4.281	0.296	0.277	126	85.7	14.2	91.6	201.6	194.7	12.0	48.0	14.0
HAWK-1244	2	1500	3.0	1.6	33.5	51.1	14.18	5.116	0.429	0.396	85	86.6	26.7	78.2	256.3	243.0	15.5	44.5	14.0
HAWK-1244	2	1500	3.0	6.4	33.7	51.1	33.02	5.106	0.390	0.362	93	86.8	26.4	75.4	279.2	266.0	15.5	44.5	14.0
HAWK-1544	2	1500	3.0	1.6	31.8	80.4	15.02	5.162	0.516	0.469	68	88.2	68.7	78.3	321.5	295.3	15.5	44.5	14.0
HAWK-1544	8	1500	3.0	6.4	31.6	80.4	32.14	5.242	0.470	0.431	73	88.1	68.0	76.4	331.8	305.6	15.5	44.5	14.0

*Above parameters are tested after each subwoofer was break-ined with 54V 50Hz input with 2ohm load for 3hours.

*AGH: Air Gap Height.

HAWK series D2/D4 SUBWOOFER DIMENSIONS

Dimensions	Value	HAWK-1022	HAWK-1222	HAWK-1522
		HAWK-1044	HAWK-1244	HAWK-1544
Diameter A	mm	275	325	395
Diameter B	mm	255	303	375
Diameter C	mm	235	288	350
Diameter D	mm	196	196	196
Depth E	mm	99	99	99
Depth F	mm	16	16	18
Depth G	mm	190	195	210
Depth H	mm	225	230	246
Vd	L	4.6	5.8	7.5



American Bass
"Excellence In Sound"

1 800 798 9311

www.americanbassusa.com

31200 SOLON ROAD, SUIT 18, SOLON, OH 44139 PH: (216) 662-2525