

Warranty

All American Bass speaker are guaranteed to be free and void of defects due to manufacturer's faults for 1 year from date of purchase. All claims must be made at the place of purchase, and accompanied with the sales receipt.

WARNING: American Bass speaker are capable of producing sound levels that can permanently damage your hearing! turning up a system to a level that has audible distortion is more damaging to your ears than listening to an un-distorted system at the same volume level. The threshold of pain is indicator that the sound level is too loud and may damage your hearing. Please use common sense when controlling volume.

www.americanbassusa.com



440 248 5858

www.americanbassusa.com

**31200 SOLON ROAD, SUITE 18 , SOLON , OHIO 44139
USA**

Congratulations! thank you for choosing American Bass speakers. We are proud to introduce these exciting new lines of outstanding performance products. Our engineering team utilizes innovative technology to bring you the absolute best performance, sound quality, reliability, and value

HAWK SERIES subwoofers

80 Oz magnets with vented cooling motor

Max Excursion 30mm

2.75 inch high power 4 layers aluminum former voice coil

Dual 4 ohms for HAWK-1044

High density foam surround

High quality spider suspension system

1500WATTS MAX POWER

700WATTS RMS POWER

90 Oz magnets with vented cooling motor

Max Excursion 30mm

3 inch high power 4 layers aluminum former voice coil

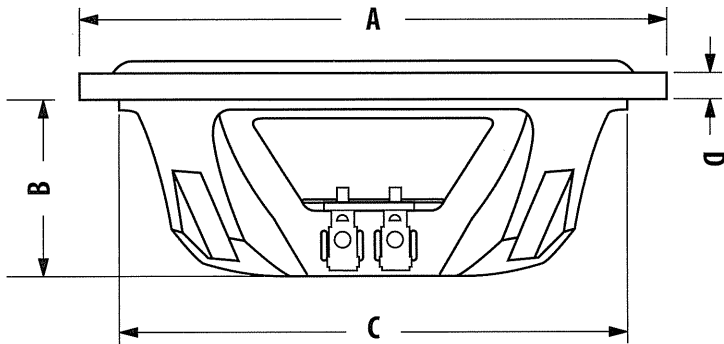
Dual 4 ohms for HAWK-1244

High density foam surround

High quality spider suspension system

2000WATTS MAX POWER

900WATTS RMS POWER



	A	B	C	D
MODEL	mm/inch	mm/inch	mm/inch	mm/inch
HAWK-1044	258/10.15	80/7.2	230/9.25	15/0.66
HAWK-1244	325/12.7	90/3.54	278/10.9	15/0.66

Technical Data/Specification

Model	HAWK-1044	HAWK-1244
Voice Coil Diameter(mm/inch)	69.7/2.75	76.5/3
Impedance Ohm	Dual 4	Dual 4
Re Ohm	7.6	7.6
FS Hz	41.491	37.462
Sd	334.561	502.92
Md g	120	150
BL	19.792	20.383
Qms	4.216	5.33
Qes	0.697	0.824
Qts	0.598	0.713
No	0.168	0.209
SPL dB	84.3	85.2
Vas L	16.972	33.887
Cms	106.783	94.35
Krm	11.617	9.238
Erm	0.83	0.84
MMS g	137.791	191.304
MMd	134.272	184.819
Kxm	87.305	70.913
Exm	0.675	0.686
Xmax mm	10.5	8.5
Rms Power(Watts)	700	900
Max Power(Watts)	1500	2000