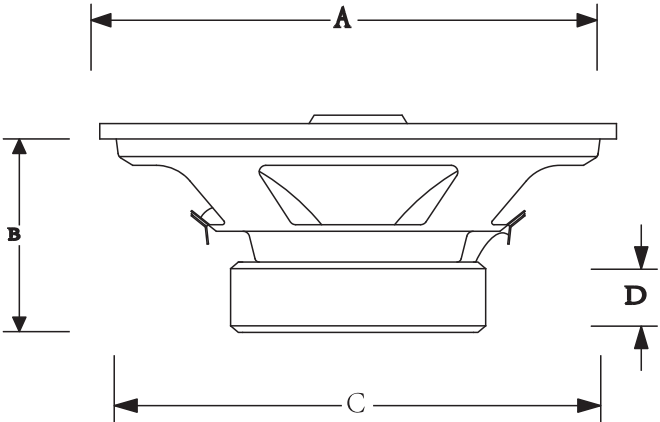
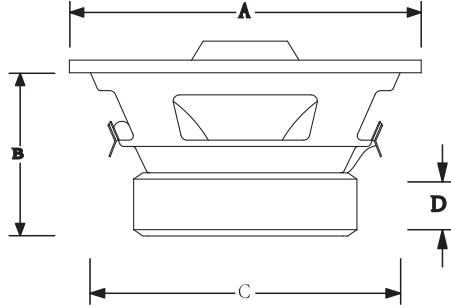


# American Bass

"Excellence In Sound"



MODEL	A	B	C	D
GODFATHER 6.5 MH	6.5inch	3.03inch	5.78inch	0.78inch
GODFATHER 6.9 MH	9*6.5inch	3.45inch	8.6*5.9inch	0.78inch

# Specifications

## Godfather 6.5 MH

- Stamped duty 6.5" basket
- 22 Oz Y35 high energy motor
- 1.5" high temperature CCA Wire Voice coil
- Polycotton spider with leads
- Paper cone with cloth edge
- Single 4 Ohms, Max power 600 watts
  
- N38 Neodymium motor structure
- Sensitivity: 103dB
- Freq.Resp. 100-20KHz
- Single 4 Ohms

## Godfather 6.9 MH

- Stamped duty 6"x9" basket
- 22 Oz Y35 high energy motor
- 1.5" high temperature CCA Wire Voice coil
- Polycotton spider with leads
- Paper cone with cloth edge
- Single 4 Ohms. Max power 600 watts
  
- N38 Neodymium motor structure
- Sensitivity: 105dB
- Freq.Resp. 100-20KHz
- Single 4 Ohms