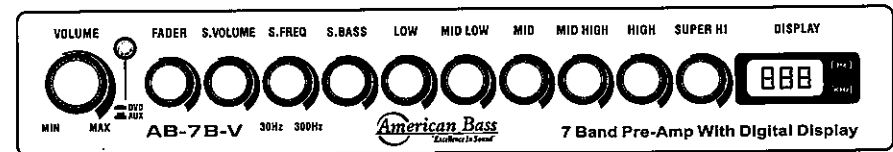




AB-7B-V



7 Band Parametric Pre-Amplifier With Subwoofer Output & Frequency Display

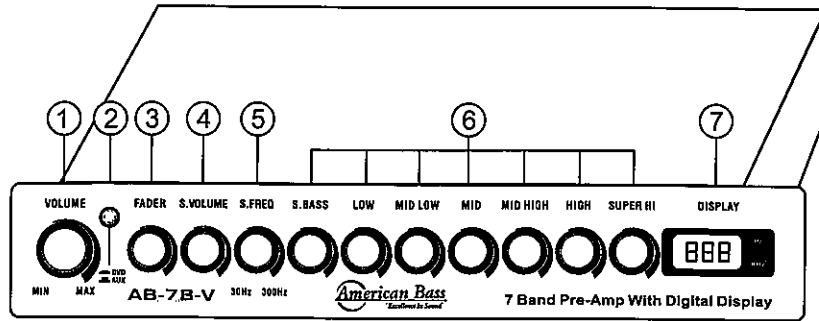
USER'S MANUAL

## FEATURES

- ◆ Active gain Pre-amp with adjustable input sensitivity.
- ◆ Master volume control with up to 7 volts RMS of output.
- ◆ Individual left and right sensitivity controls.
- ◆ Seven Band Pre-amplifier with 12 dB Boost/Cut.
- ◆ Specific bandwidth for each band plus high frequency shelving.
- ◆ On-board 30V bipolar switching power supply.
- ◆ Subwoofer level control.
- ◆ Subwoofer frequency adjustable.
- ◆ Input AUX / DVD select switch.
- ◆ Night illumination design.

## FUNCTIONS

### AB-7B-V



#### 1. VOLUME CONTROL

This control adjusts the output level.

#### 2. INPUT SELECTOR SWITCH

This switch select the AUX input or DVD input.

#### 3. FADER CONTROL

This control adjusts the volume between the front and rear speakers in 4 speaker system.

#### 4. SUBWOOFER VOLUME

This control adjusts output level of subwoofer.

#### 5. SUBWOOFER FREQ.

This switch select subwoofer frequency 30Hz - 300Hz..

#### 6. PARAMETRIC PRE-AMP CONTROLS

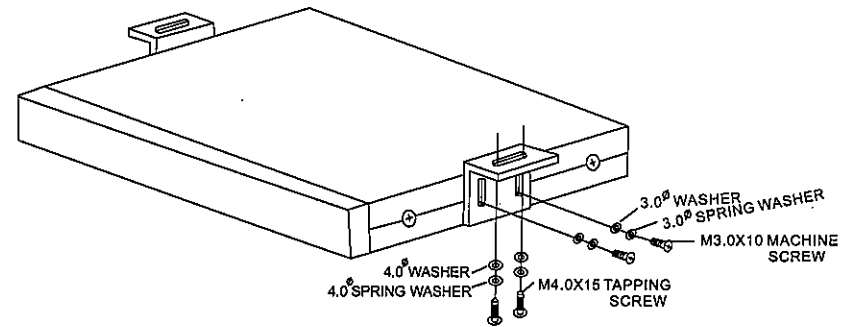
Control the frequency response of the Booster or cut with the Seven tone controls each S.Bass, Low, Mid Low, Mid, Mid High, High, Super Hi.

#### 7. DIGIT DISPLAY

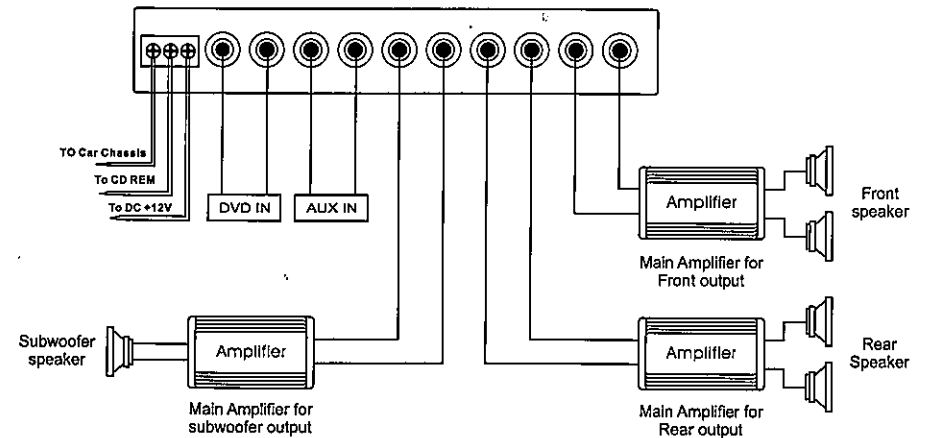
This display indicate each band EQ & subwoofer frequency, when you turn the EQ level or subwoofer frequency.

## MECHANICAL INSTALLATION

1. Select the desired location to mount unit under the dash board.
2. Drill (4) 4.2 m/m diameter holes. Fix the mounting bracket under dash or hump with (4) 4x15 m/m tapping screw. Be careful when drilling so as not to damage existing wiring under the dash board.
3. Mount unit to the mounting bracket with (4) 3 x10 m/m machine screw.



## WIRING DIAGRAM



## OPERATION

1. When the DVDcassette or AUX player connected to this unit is turned ON, the unit turns ON and the indicator lights up.
2. With the 4 speaker system, use the fader control to adjust the sound balance between the front and rear speakers.
3. Rotate the graphic Pre-amp controls to obtain the preferred sound quality.
4. Use the subwoofer output level control on the front to adjust the sound level heard from the subwoofer.

## SPECIFICATIONS

POWER SUPPLY	11-15V DC NEG. GROUND
MAX. OUTPUT VOLTAGE	7V RMS
PRE GRAPHIC FREQUENCY	50Hz, 125Hz, 315Hz, 750Hz, 2.2KHz, 6KHz, 12KHz
EQUALIZATION RANGE	±12dB
SUBWOOFER FREQUENCY	30Hz-300Hz
INPUT IMPEDANCE	15K OHMS
S/N RATIO	90 dB
T.H.D.	0.05%
CHANNEL SEPARATION	70 dB
FREQUENCY RESPONSE	10Hz-50KHz( -3dB)