

Warranty

All American Bass are guaranteed to be free and of defects due to the manufacturer for 1 year from date of purchase. All claims must be made at the place of purchase, and accompanied with the sales receipt.

Warning: American Bass speakers are capable of producing sound levels that can permanently damage your hearing! Turning up a system to a level that has audible distortion is more damaging to your ears than listening to an un-distorted system at the same volume level. The threshold of pain is indicator that the sound level is too loud and may damage your hearing. Please use common sense when controlling volume.



440 248 5858

www.americanbassusa.com

31200 SOLON ROAD, SUITE 18, SOLON, OHIO 44139
USA

Congratulation! Thank you for choosing American Bass. We are proud to introduce these exciting new lines of outstanding performance products. Our engineering team utilizes innovative technology to bring you the absolute best performance, sound quality, reliability and value.

www.americanbassusa.com

DX SERIES subwoofers & XO SERIES subwoofers

Features:

Black powder finish heavy-duty stamped basket;

With perimeter vents for better voice coil cooling;

Non-pressed paper cone;

Over-sized 1.4" 3-layer foam surround;

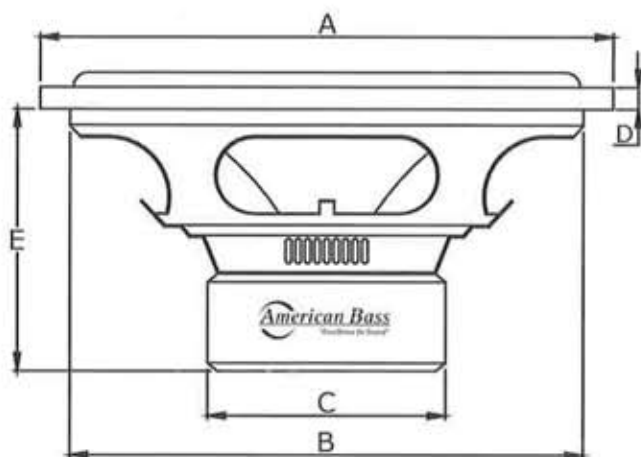
Hi-temp 4-layer voice coil with Nomex protection;

Mirror image double Conex spider system;

Double stacked hi-energy magnets;

Customs-made rubber gasket;

Customs-made rubber magnet boot;



	A	B	C	D	E
MODEL	mm/inch	mm/inch	mm/inch	mm/inch	mm/inch
DX-10	265/10.4	233/9.17	151/5.9	14/0.55	130/5.1
DX-12	318/12.5	282/11.1	151/5.9	14/0.55	142/5.6
DX-15	394/15.5	354/13.9	162/6.3	14/0.55	182/7.1
XO-1044	265/10.4	233/9.17	151/5.9	14/0.55	130/5.1
XO-1244	318/12.5	282/11.1	151/5.9	14/0.55	142/5.6
XO-1544	394/15.5	354/13.9	162/6.3	14/0.55	182/7.1

Technical Data/Specification

MODEL	DX-10	DX-12	DX-15	XO-1044	XO-1244	XO-1544
Voice Coil Diameter (mm/inch)	50.8/2	50.8/2	61.1/2.5	50.8/2	50.8/2	61.1/2.5
Impedance Ohm	Single 4	Single 4	Single 4	Dual4	Dual4	Dual4
FS Hz	36.1	35.6	30.4	37.5	36.2	30.2
Qms	4.98	5.25	4.76	4.04	3.62	4.56
Qes	0.54	0.67	0.64	0.60	0.78	0.70
Qts	0.48	0.60	0.56	0.525	0.64	0.60
Vas	20.7	41.5	89.6	19.2	37.2	88.7
MMs g	131.7	155.4	259.6	131.2	152.3	252.7
Le mH	3.32	3.37	3.78	1.3	1.35	1.58
Magnet oz	90	90	125	90	90	125
n%	0.16	0.27	0.38	0.17	0.23	0.25
Xmax mm/inch	11/0.43	11/0.43	12.5/0.49	11/0.43	11/0.43	12.5/0.49
SPL dB/m	86.2	88.2	89.8	86.4	88.3	89.9
BL TESLA-M	13.73	13.28	16.29	9.72	8.64	9.76
Max Power(Watts)	600	600	1000	600	600	1000