



# *American Bass*

---

*“Excellence In Sound”*

**XR-15D2**  
**XR-15D4**

SUBWOOFER SPEAKER SYSTEM  
OWNER'S MANUAL

---

Thank you for purchasing a **AMERICAN BASS** subwoofer. It is a state-of-the-art product specifically designed and engineered for vehicle use, and has been thoroughly tested to ensure consistent and reliable performance.

Should you have any questions regarding the installation or operation of your **AMERICAN BASS** subwoofer, which are not answered in this manual, please contact your dealer for assistance.

## **Features:**

15 " Subwoofer

RMS / MAX Power : 1500W / 3000W

Stitched Rubber Surround

Fiberglass Reinforced Cap

Dual 2 & 4 ohm 3 " Aluminum Voice Coil

200 Oz Magnet Structure

PVC Gasket Ring

PVC Magnet Boot

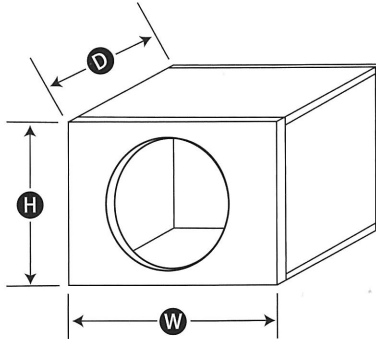
## **PRECAUTIONS**

- Before making holes, check the mounting space with supplied template.
- To prevent noise pick-up, keep the wiring away from motors, high-voltage leads and other potential noise sources.
- To prevent a short-circuit, keep all wiring away from moving parts and sharp edges.
- Make sure you carefully read and understand the installation instructions before installing this subwoofer in your vehicle.

<b>SPECIFICATIONS</b>	<b>XR-15D2</b>	<b>XR-15D4</b>
RMS Power (W)	1500	1500
MAX Power (W)	3000	3000
Fo (Hz):	33	33
Nominal Impedance ( $\Omega$ )	2+2	4+4
Sensitivity@1w/1m(dB)	86	86
Frequency Range	33Hz~500Hz	33Hz~500Hz
Magnet	200 Oz	200 Oz
Voice Coil	3"	3"
Cone	Rubber Edge Pape Cone	Rubber Edge Pape Cone
Mounting Depth (inch)	8.66	8.66
Mounting Diameter (inch)	14.09	14.09

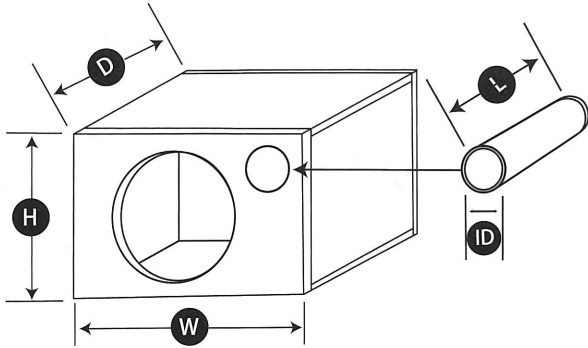
# XR - 15D2

## Sealed Enclosure



BOX SIZE	
Wall Thickness	0.71in/18mm
Front Baffle Thickness	0.71in/18mm
Volume(net int.)	2.83 cu ft/80L
External Width(W)	24.80in/630mm
External Height(H)	18.90in/480mm
External Depth(D)	15.16in/385mm
F3	38Hz
Fc	43Hz
Qtc	0.807

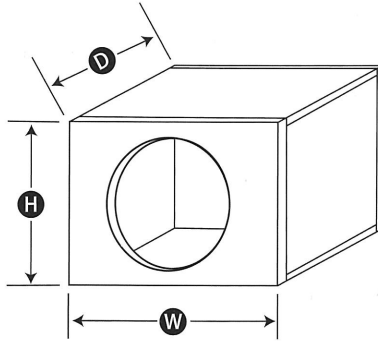
# Ported Enclosure



<b>BOX SIZE</b>	
Wall Thickness	0.71in/18mm
Front Baffle Thickness	0.71in/18mm
Volume(net int.)	3.53 cu ft/100L
External Width(W)	24.80in/630mm
External Height(H)	19.30in/490mm
External Depth(D)	17.71in/450mm
Port (Inside Dia.X Length)	3.78inx5.12in/96mmX130mm
Tuning Frequency(Fb)	33Hz

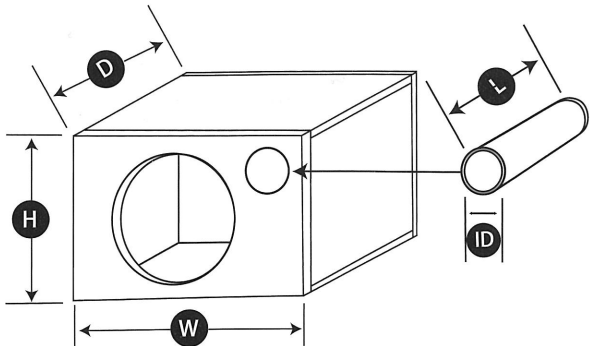
# XR - 15D4

## Sealed Enclosure



<b>BOX SIZE</b>	
Wall Thickness	0.71in/18mm
Front Baffle Thickness	0.71in/18mm
Volume(net int.)	2.83 cu ft/80L
External Width(W)	24.80in/630mm
External Height(H)	18.90in/480mm
External Depth(D)	15.16in/385mm
F3	35Hz
Fc	43Hz
Qtc	1.05

# Ported Enclosure



<b>BOX SIZE</b>	
Wall Thickness	0.71in/18mm
Front Baffle Thickness	0.71in/18mm
Volume(net int.)	2.47 cu ft/70L
External Width(W)	25.59in/650mm
External Height(H)	17.72in/450mm
External Depth(D)	13.58in/345mm
Port (Inside Dia.X Length)	2.76inx3.94in/70mmX100mm
Tuning Frequency(Fb)	31Hz

WORLD CHAMPIONS  
WORLD LEADERS IN SPL PRODUCTS

American Bass USA 31200 Solon RD  
Unit 18 Solon Ohio 44139

800 798 9311

Tel: 440 248 5858

Fax:440 248 6022

E-mail:[Info@americanbassusa.com](mailto:Info@americanbassusa.com)

Website:[www.americanbassusa.com](http://www.americanbassusa.com)