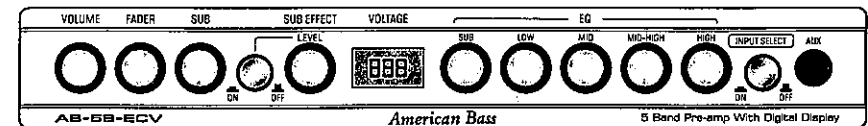


AB-5B-ECV

5 Band Parametric Pre-amplifier With
Subwoofer Output & Voltage Display

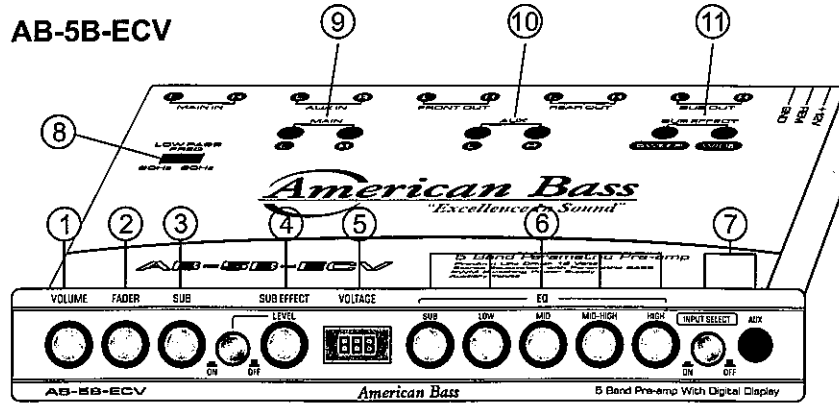


FEATURES

- ◆ Active gain Pre-amp with adjustable input sensitivity.
- ◆ Master volume control with up to 8 volts RMS of output.
- ◆ Individual left and right sensitivity controls.
- ◆ Five Band Pre-amplifier with 12 dB Boost/Cut.
- ◆ Three stereo RCA output to drive front, rear, and subwoofer audio amplifier.
- ◆ Subwoofer level control.
- ◆ Subwoofer frequency adjustable.
- ◆ Input AUX / DVD select switch.
- ◆ Night illumination design.

FUNCTIONS

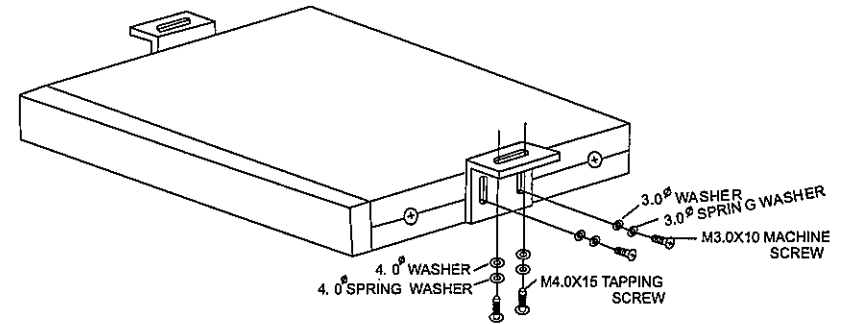
AB-5B-ECV



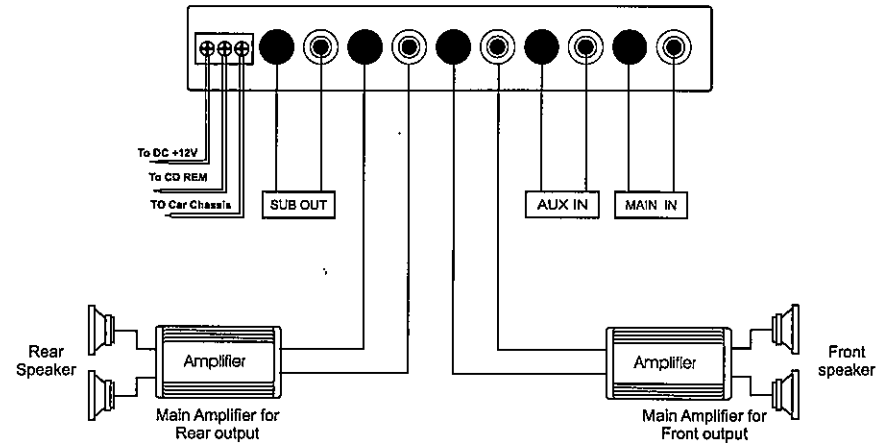
- 1. VOLUME CONTROL**
This control adjusts the output level.
- 2. FADER CONTROL**
This control adjusts the volume between the front and rear speakers
- 3. SUBWOOFER VOLUME**
This control adjusts output level of subwoofer.
- 4. SUB EFFECT LEVEL**
This control adjusts the output level of sub processor
- 5. VOLTAGE**
Voltage level indicator
- 6. PARAMETRIC PRE-AMP CONTROLS**
Control the frequency response of the Booster or cut with the five tone controls each Sub, Low, Mid, Mid High, High.
- 7. AUX SWITCH**
Press to select auxiliary or main input.
- 8. LOW PASS FREQ SWITCH**
Select 60Hz / 90Hz.
- 9. MAIN CONTROL**
This control adjusts the left and right aux input.
- 10. AUX CONTROL**
This control adjusts the left and right aux input.
- 11. SUB EFFECT CONTROL**
These control the bass processor functions. Sweep knob allows you to pick the center frequency that you want. Wide knob adjusts how wide of a frequency range.

MECHANICAL INSTALLATION

1. Select the desired location to mount unit under the dash board.
2. Drill (4) 4.2 m/m diameter holes. Fix the mounting bracket under dash or hump with (4) 4x15 m/m tapping screw. Be careful when drilling so as not to damage existing wiring under the dash board.
3. Mount unit to the mounting bracket with (4) 3 x10 m/m machine screw.



WIRING DIAGRAM



OPERATION

1. When the DVD cassette or AUX player connected to this unit is turned ON, the unit turns ON and the indicator lights up.
2. With the 4 speaker system, use the fader control to adjust the sound balance between the front and rear speakers.
3. Rotate the graphic Pre-amp controls to obtain the preferred sound quality.
4. Use the subwoofer output level control on the front to adjust the sound level heard from the subwoofer.

SPECIFICATIONS

POWER SUPPLY	11-15V DC NEG. GROUND
MAX. OUTPUT VOLTAGE	8V RMS
PRE GRAPHIC FREQUENCY	50Hz, 120Hz, 900Hz, 2.2KHz, 16KHz
EQUALIZATION RANGE	±12dB
SUBWOOFER FREQUENCY	10Hz-300Hz
INPUT IMPEDANCE	10K OHMS
S/N RATIO	90 dB
T.H.D.	0.05%
CHANNEL SEPARATION	82 dB / 1kHz
FREQUENCY RESPONSE	10Hz-50KHz(-3dB)