






Assembling is a "Skill". Let's make you learn a new skill today if you haven't known already.

## **JUPITER GO High Back Chair**

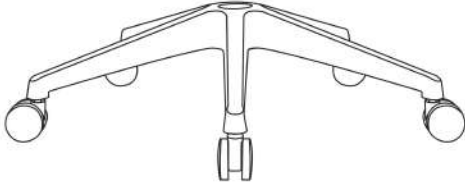
-  **Task Type: Easy to Moderate**
-  **Time required: 20 Minutes (approx)**
-  **Required Tools: Available in the box**
-  **Person Required: 1 (2 would be great)**
-  **Benefits: A Great Ergonomic Chair (self assembled)**

Visit [www.greensoul.online](http://www.greensoul.online) for more information





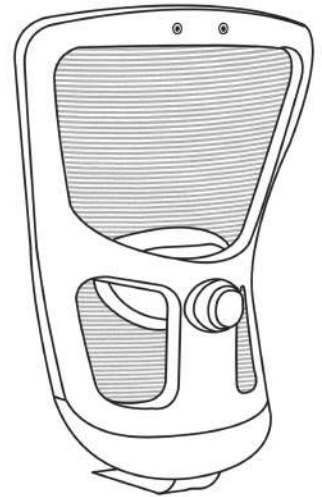
## Available Components

**A.**

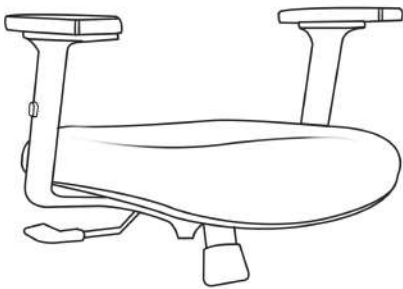
**Base Stand  
with Wheels**

**B.**

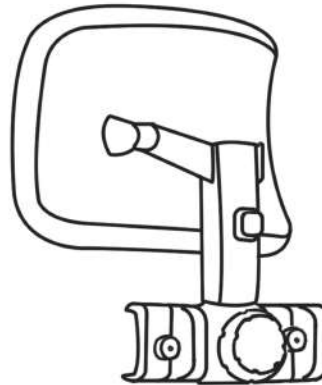
**Hydraulic  
Gas Lift**

**C.**

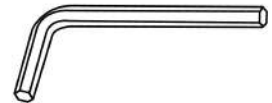
**Back**

**D.**

**Seat**  
(Armrest &  
Mechanism attached)

**E.**

**Headrest**

**F.**

**Allenkey**

**Check if you have received all the parts  
or else contact us immediately by  
Phone or Whatsapp:-**

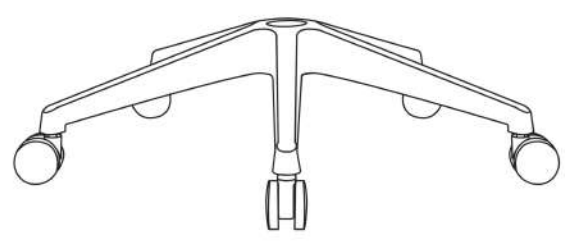
**+91 844-8444-695**



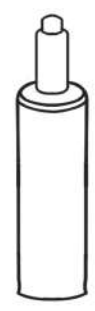
# Let's Start Assembling

## Step 1 :- Gas Lift Fitting

### Required Parts

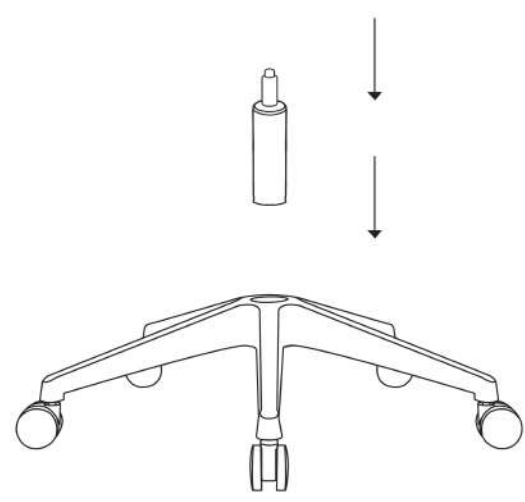


A.



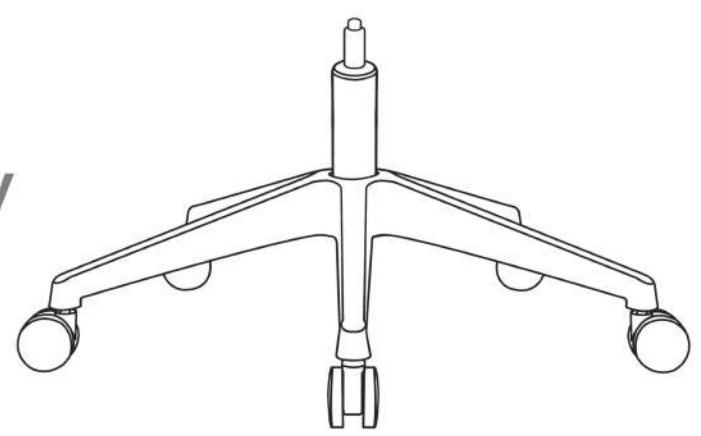
B.

### Process



### After Connecting (It should look like this)

Base for the Chair is ready



Good Job!

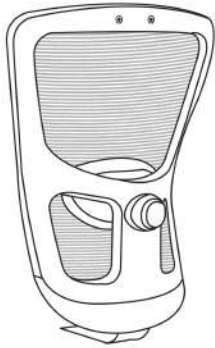


25% Done

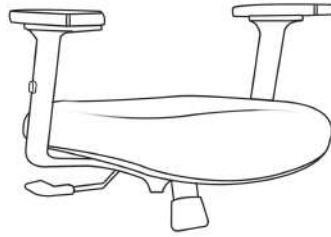


# Step 2 :- Connecting Back & Seat

## Required Parts



C.

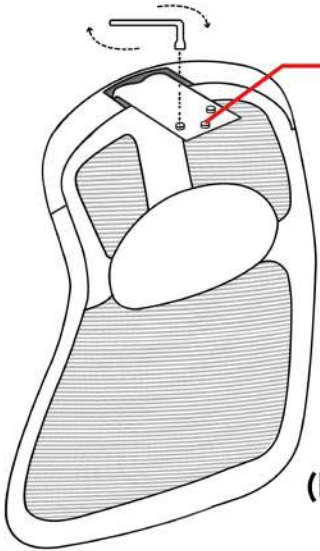


D.

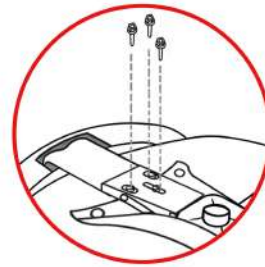
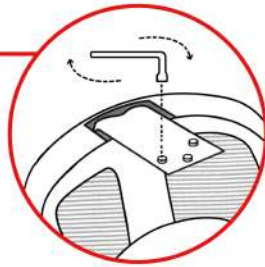


F.

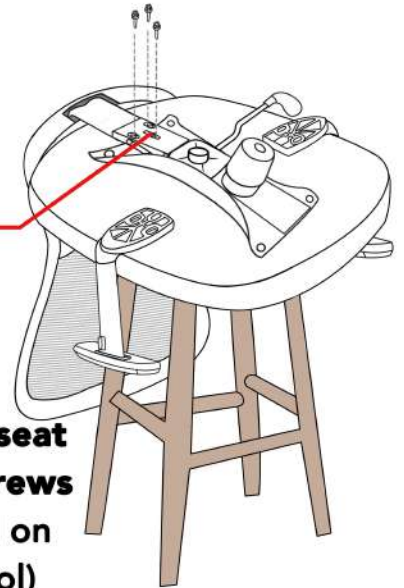
## Process



**Remove the 3 screws**  
(Pre attached with back)

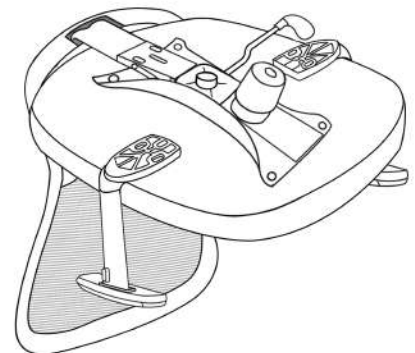


**Connect back and seat**  
**with the same 3 screws**  
(The chair is placed on  
some random stool)



## After Connecting (It should look like this)

Upperbody of the Chair is ready



Wonderful

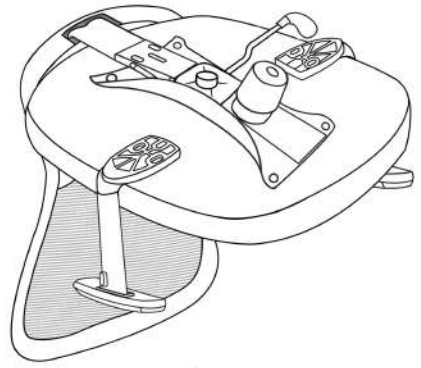


50% Done

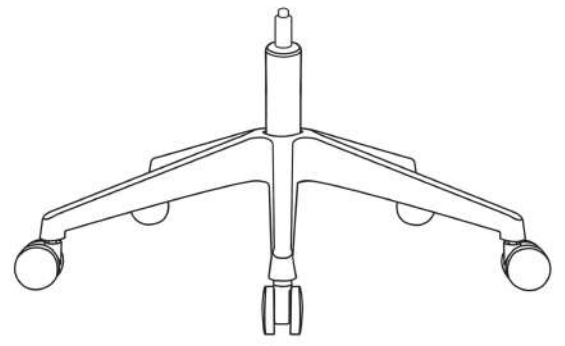


### Step 3 :- Connecting the Upperbody and Base

#### Required Parts

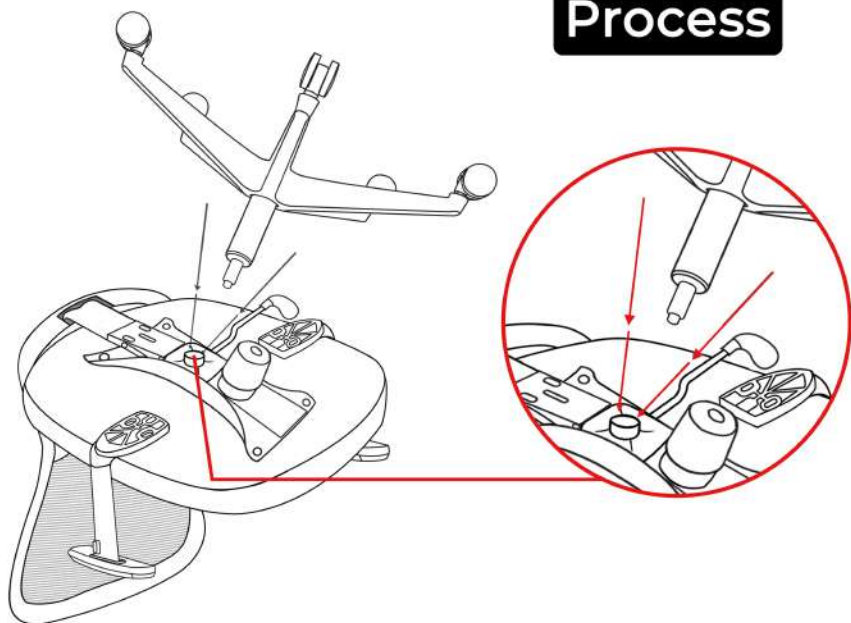


**UpperBody**



**Bottom Base**

#### Process



Connect Upperbody with the Bottom

#### After Connecting (It should look like this)



Just the Headrest needs to be fixed now.

**Almost there**

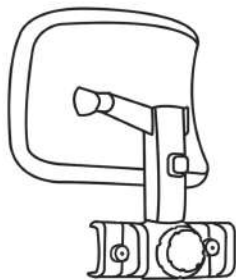


**75% Done**



## Step 4 :- Fitting the Headrest

### Required Parts



**E.**



**F.**

**Semi-Assembled  
Chair**



### Process



Remove the 2 screws  
attached to the back

Attach the Headrest  
with the back using  
the same 2 screws



**After Connecting  
(It should look like this)**



You have assembled the chair,  
and now you can start using the same.

**Congratulations!**

**100% Done**



# Adjustments

## 1. Adjusting the Seat Height:

To raise your seat, vacate the seat & pull up the lever placed below the seat.

To lower the seat, pull up the control handle while you're seated.



## 2. Backrest Locking:

To let your chair tilt back, pull the control handle out.

To stop your chair from tilting, sit forward, then push the control handle in.



## 3. Backrest Tension Control:

Turn the tilt knob clockwise to make it harder to rock your chair backwards.

Turn the tilt knob anti-clockwise to make it easier to rock your chair backwards.



Note: If your chair won't tilt back, pull out the control handle

# Cleaning and Maintenance

- Periodically clean the seat cover using a vacuum cleaner. Use the correct attachment for vacuuming upholstery. Use the setting for upholstery (low suction).
- Use a dry sponge to remove dirt.
- If required, use a slightly damp cloth to clean heavily soiled areas, then wipe dry using a dry cloth.
- Occasionally, thoroughly wipe the frame using a slightly damp cloth. Then dry the frame using a dry cloth.
- Do not use strong cleaning agents or abrasives.
- Do not use the chair unless all screws are securely tightened. Screws and joints should be re-tightened regularly.



## Safety and Compliance

- Use care when handling.
- Assemble the chair on carpet to prevent scratching the chair.
- Do not use power tools.

**Item Code:-**

**Jupiter-Go\_HB\_FullBlack\_V1\_295**

In case of any manufacturing defects, please contact us at  
+91 844-8444-695 | [info@greensoul.online](mailto:info@greensoul.online)

Monday to Saturday: 9:30 AM - 6 PM