

Assembling is a "Skill". Let's make you learn a new skill today if you haven't known already.

## **CRYSTAL V2 High Back Chair**



**Task Type: Easy to Moderate**



**Time required: 20 Minutes (approx)**



**Required Tools: Available in the box**



**Person Required: 1 (2 would be great)**



**Benefits: A Great Ergonomic Chair (self assembled)**

**Visit [www.greensoul.online](http://www.greensoul.online) for more information**





# Available Components

**A.**



**Base Stand  
with Wheels**

**B.**



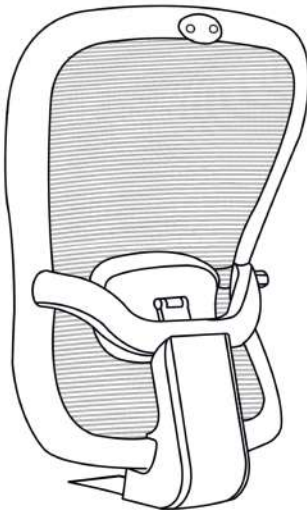
**Base Cover**

**C.**



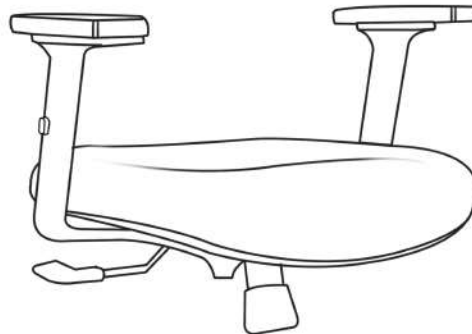
**Hydraulic  
Gas Lift**

**D.**



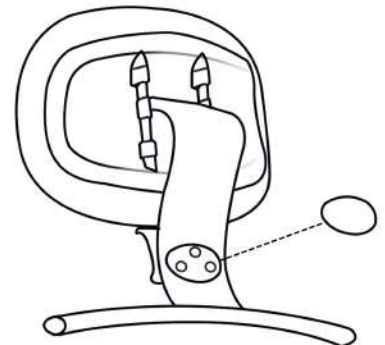
**Back**

**E.**



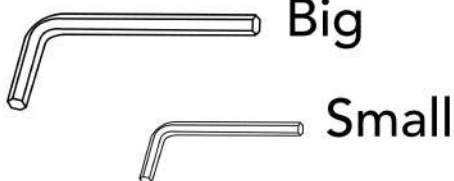
**Seat**  
(Armrests and  
Mechanism attached)

**F.**



**Headrest**  
(with small  
plastic cover)

**G.**



**Allen keys**

Check if you have received all the parts  
or else contact us immediately by  
Phone or Whatsapp:-

+91 844-8444-695



# Let's Start Assembling

## Step 1 :- Gas Lift Fitting

### Required Parts



A.

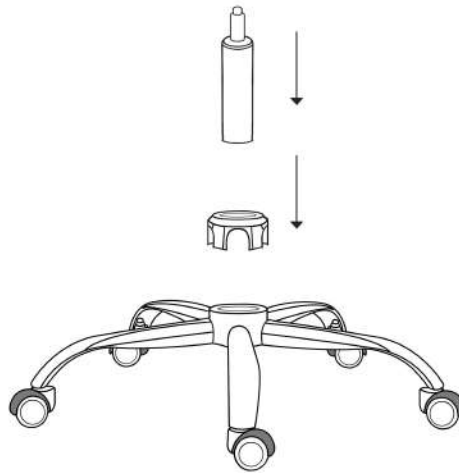


B.



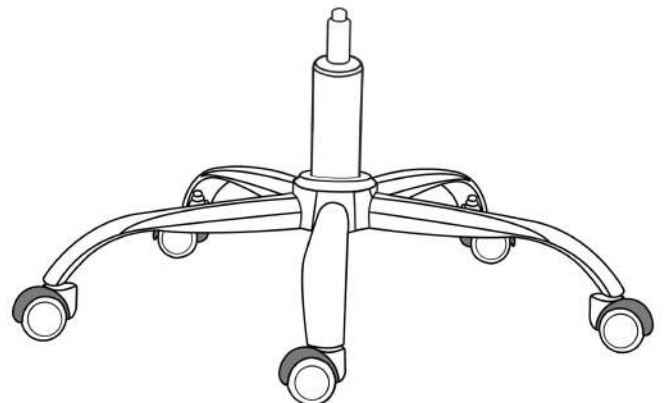
C.

### Process



### After Connecting (It should look like this)

Base for the Chair is ready



Good Job!

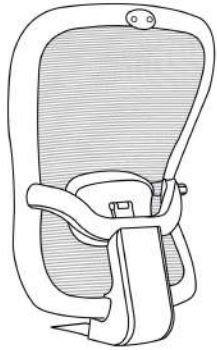


25% Done

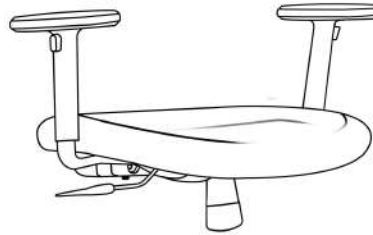


# Step 2 :- Connecting Seat & Back

## Required Parts



D.



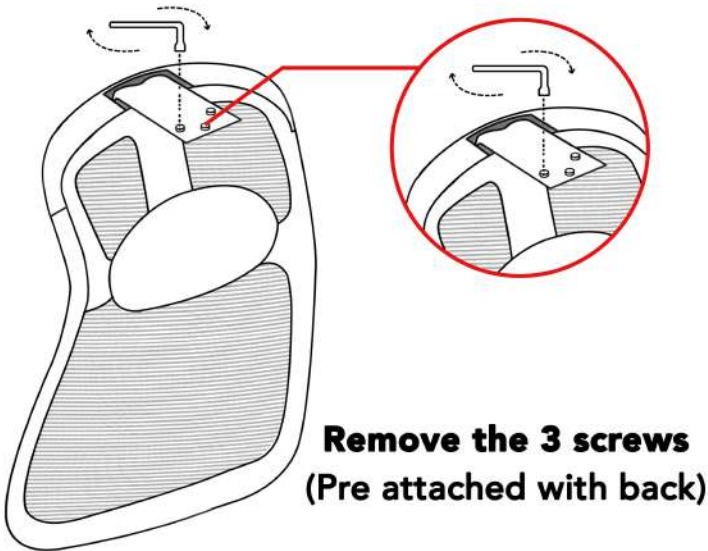
E.



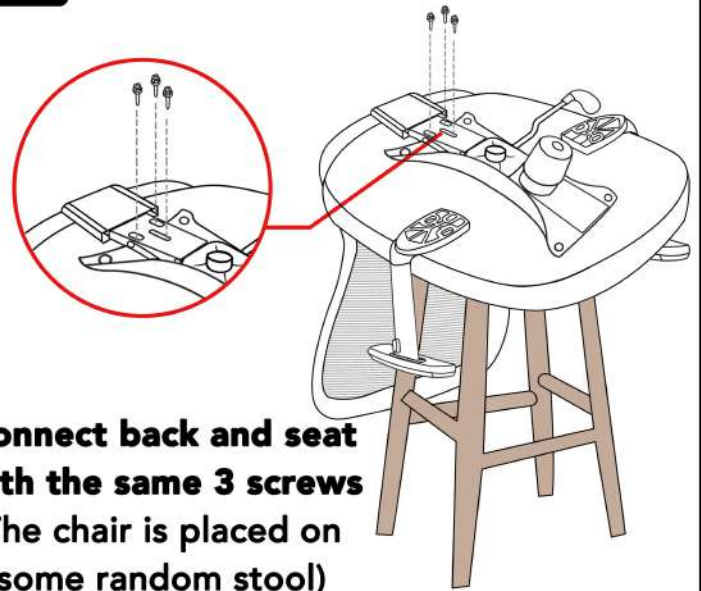
(Big Allen key)

G.

## Process



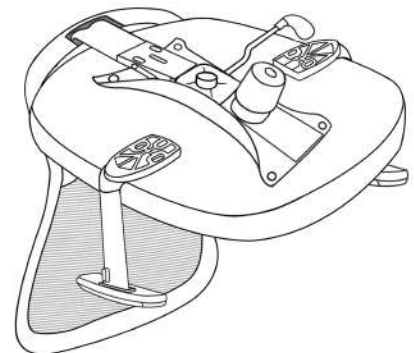
Remove the 3 screws  
(Pre attached with back)



Connect back and seat  
with the same 3 screws  
(The chair is placed on  
some random stool)

**After Connecting  
(It should look like this)**

Upperbody of the Chair is ready



Wonderful

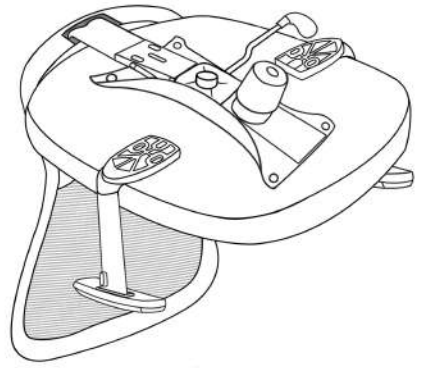


50% Done

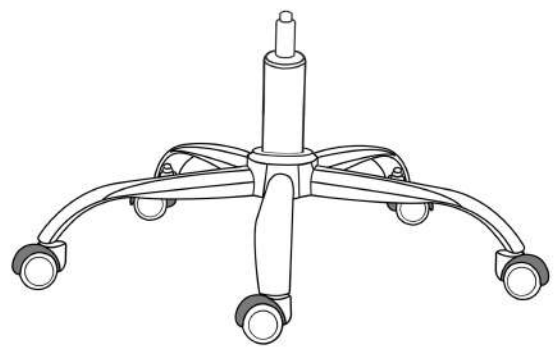


### Step 3 :- Connecting the Upperbody and Base

#### Required Parts

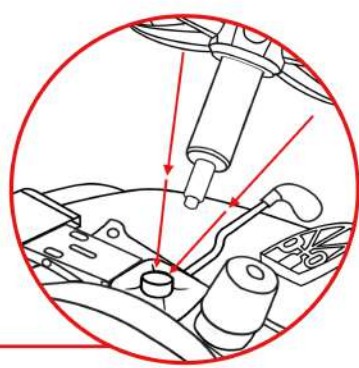
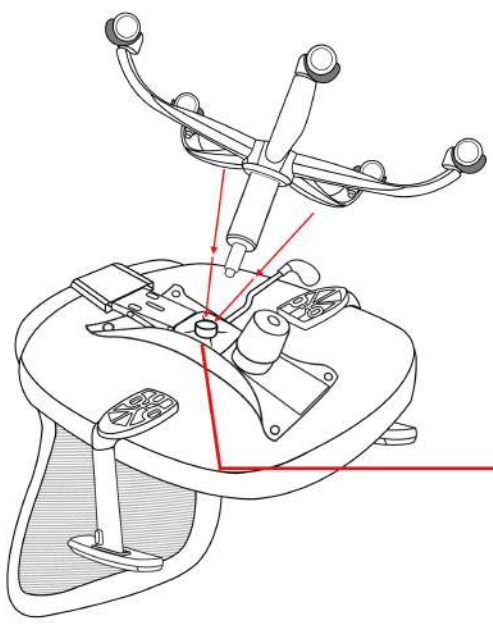


UpperBody



Bottom Base

#### Process



Connect Upperbody with the Bottom

#### After Connecting (It should look like this)



Just the Headrest needs to be fixed now.

Almost there

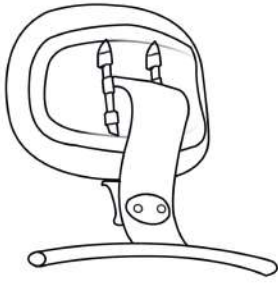


75% Done



# Step 4 :- Fitting the Headrest

## Required Parts



F.



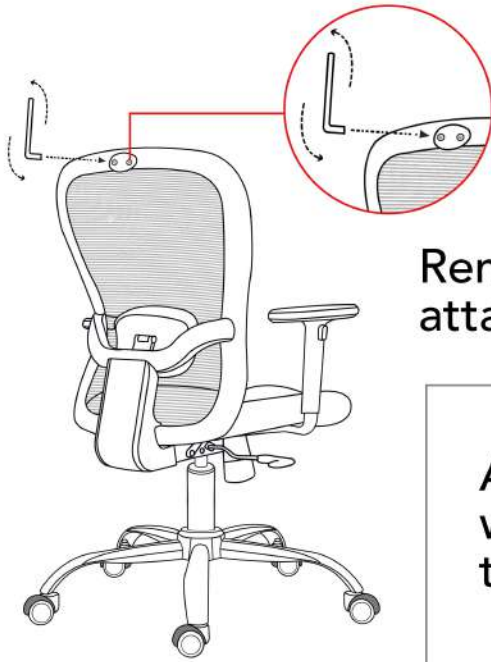
(Small Allen key)

G.

Semi-Assembled Chair



## Process



Remove the 2 screws attached to the back



Attach the Headrest with the back using the same 2 screws

## After Connecting (It should look like this)



You have assembled the chair, and now you can start using the same.

**Congratulations!**

**100% Done**



# Adjustments

## 1. Adjusting the Seat Height:

To raise your seat, vacate the seat & pull up the lever placed below the seat.

To lower the seat, pull up the control handle while you're seated.



## 2. Backrest Locking:

To let your chair tilt back, pull the control handle out.

To stop your chair from tilting, sit forward, then push the control handle in.



## 3. Backrest Tension Control:

Turn the tilt knob clockwise to make it harder to rock your chair backwards.

Turn the tilt knob anti-clockwise to make it easier to rock your chair backwards.



Note: If your chair won't tilt back, pull out the control handle

# Cleaning and Maintenance

- Periodically clean the seat cover using a vacuum cleaner. Use the correct attachment for vacuuming upholstery. Use the setting for upholstery (low suction).
- Use a dry sponge to remove dirt.
- If required, use a slightly damp cloth to clean heavily soiled areas, then wipe dry using a dry cloth.
- Occasionally, thoroughly wipe the frame using a slightly damp cloth. Then dry the frame using a dry cloth.
- Do not use strong cleaning agents or abrasives.
- Do not use the chair unless all screws are securely tightened. Screws and joints should be re-tightened regularly.



## Safety and Compliance

- Use care when handling.
- Assemble the chair on carpet to prevent scratching the chair.
- Do not use power tools.

**Item Code:-**

**Crystal\_HB\_Black\_VDR22\_300**

In case of any manufacturing defects, please contact us at  
+91 844-8444-695 | [info@greensoul.online](mailto:info@greensoul.online)

Monday to Saturday: 9:30 AM - 6 PM