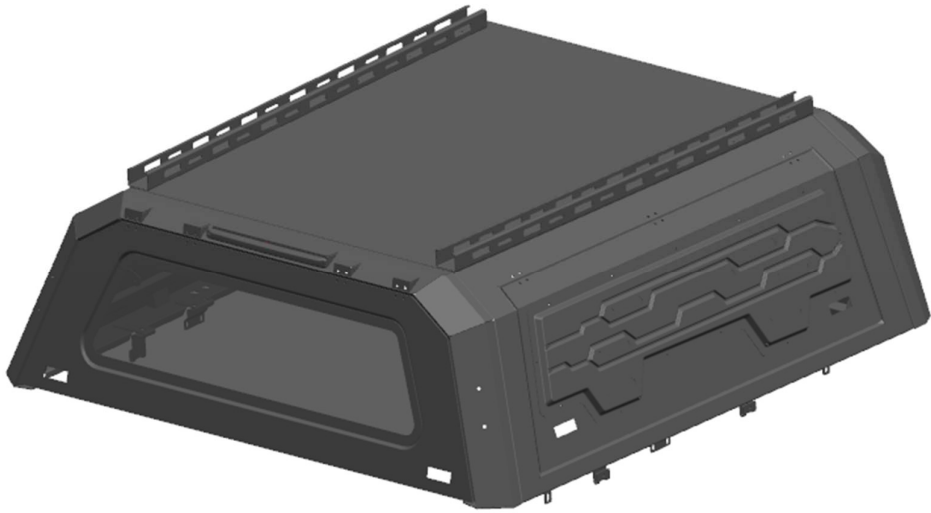

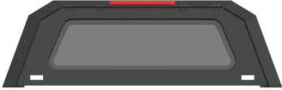

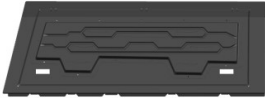
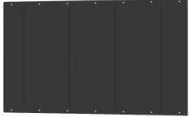




CANOPY INSTRUCTION MANUAL

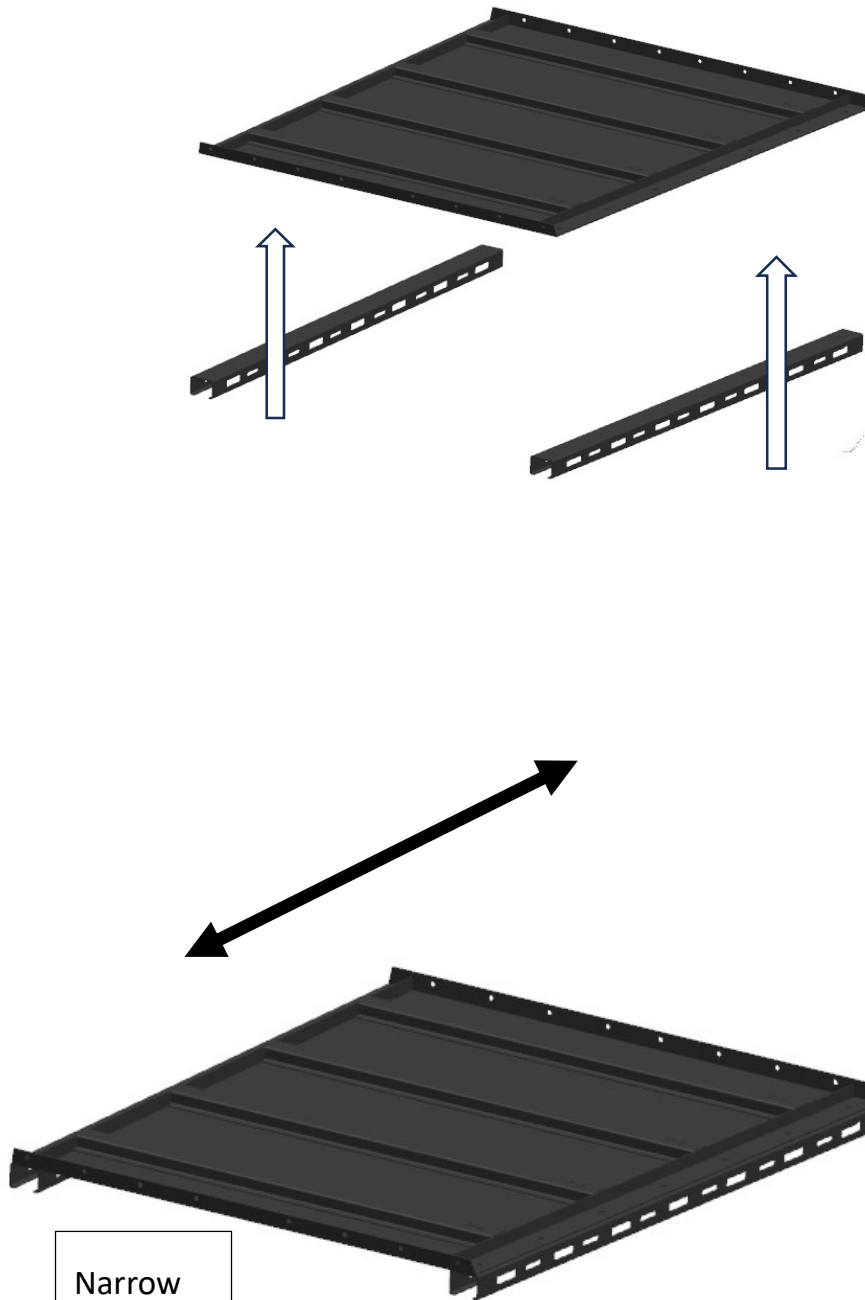


List of installation manifests

Below is a set of installation checklists for this product. Upon receiving the package, kindly conduct a thorough comparison of the number of parts with this list. Should you identify any disparities, we encourage you to promptly reach out to us to prevent incorrect or incomplete installation of the product. Your timely communication will help ensure a successful installation process

Name of Parts	Photo	Quantity
Front door		1
Rear door		1
Left door		1
Right door		1
Roof plate		1
Luggage holder		2
Fixed bottom plate		2

Step 1: Install top plate and luggage holder

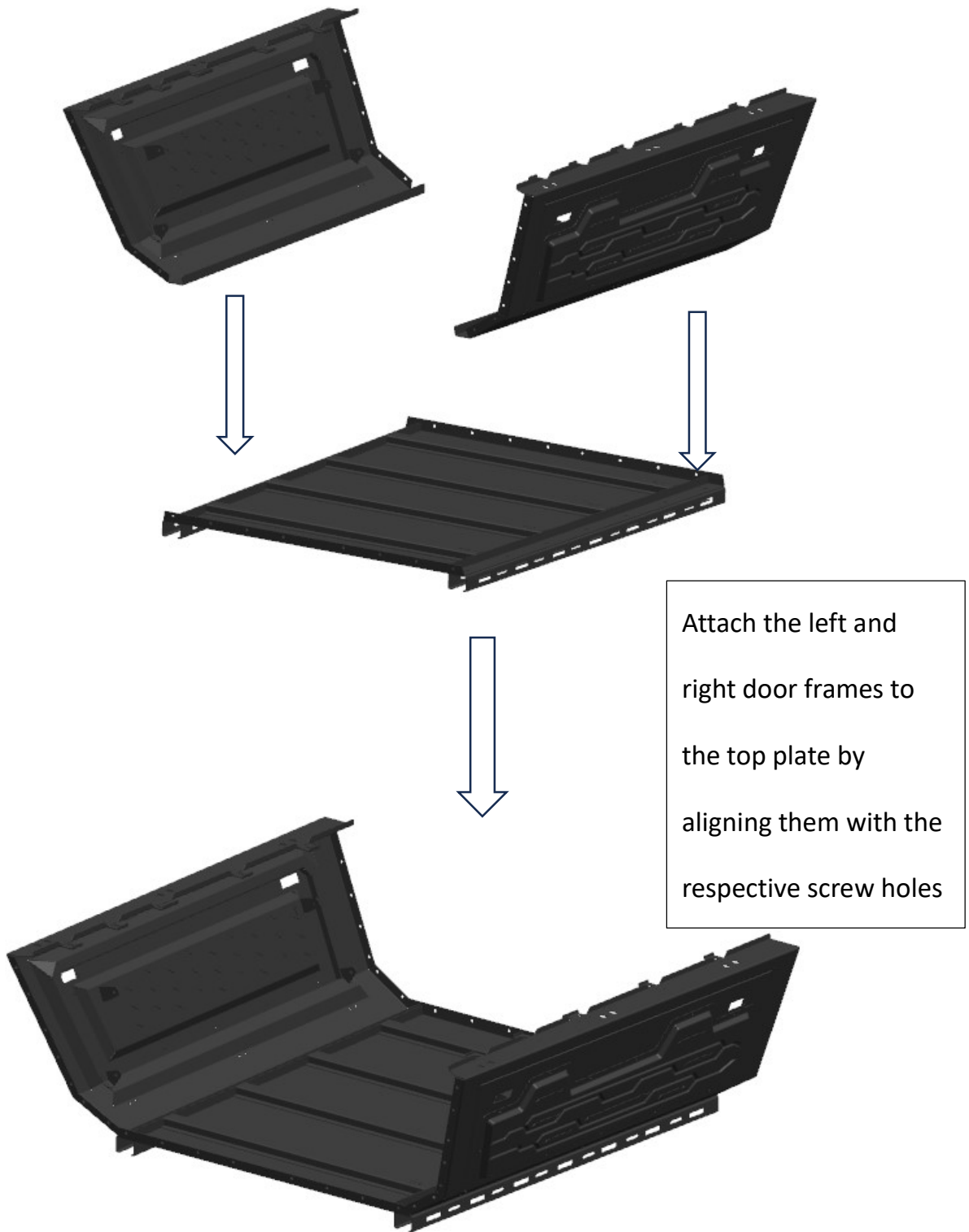


The canopy features a design that widens towards the front and tapers toward the rear, conforming to the contours of the body.

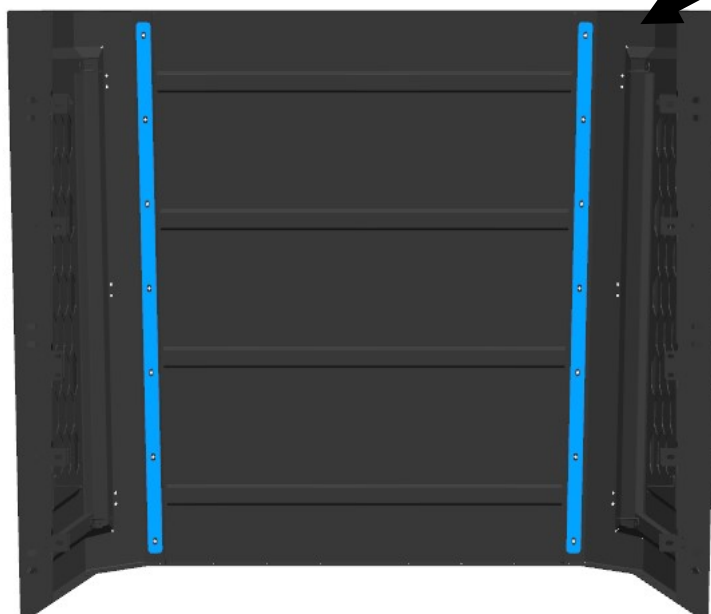
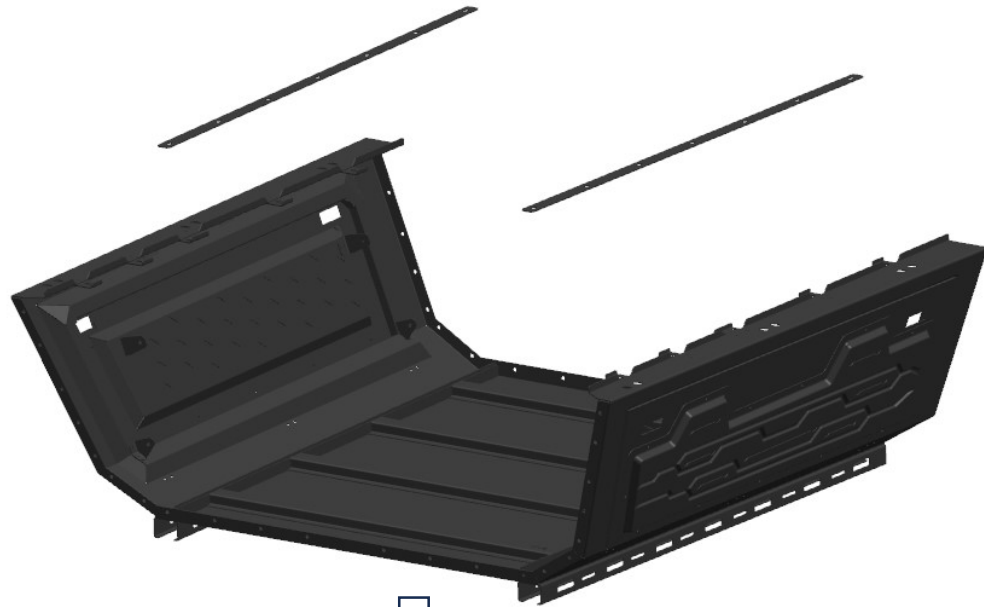
Attach the two luggage rails to either end of the top plate, aligning them with the indicated installation direction and corresponding mounting holes.

Narrow
in back

Step 2: Install the left and right door frames




Step 3: Install the fixed base plate above the left and right door frames.



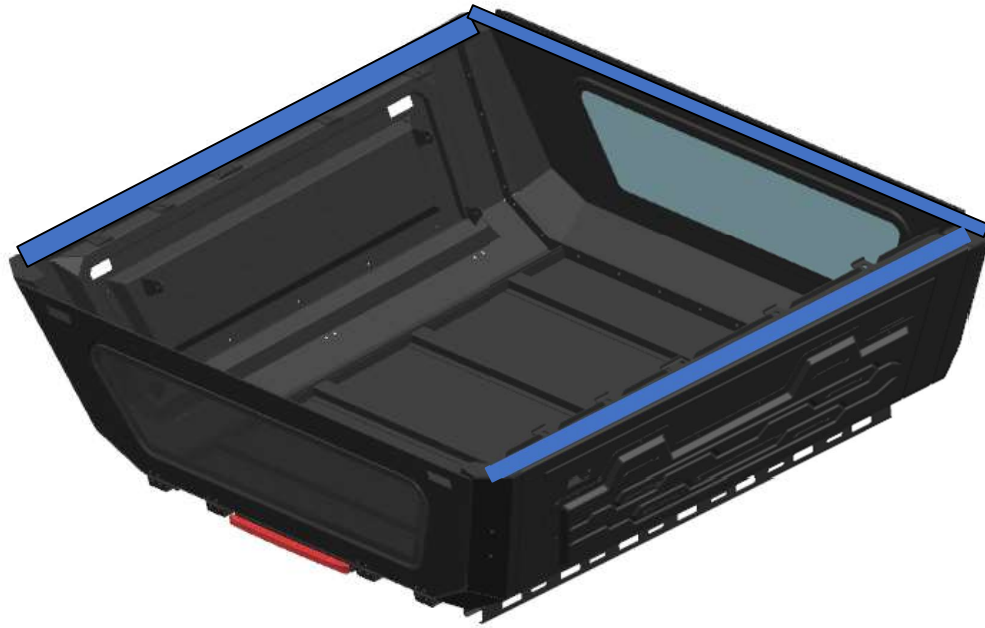
Once the fixed base plate has been installed, apply sealant to bond each screw, and then securely fasten them using M6 nuts

Step 4: Install front and rear door frames



Position the front and rear door frames in the designated hole locations (be mindful of the front and rear orientations). Secure them firmly using M8 screws and nuts.

Step 5: Install a type B rubber strip on the bottom of the canopy.



Once the main body installation is finished, adhere rubber strip type B to the underside of the canopy, as indicated by the highlighted blue area in the diagram

Step 6: Sealing the Canopy



Use supplied masking tape to mask out all seams and joins.



After the masking is completed, use the silicone to seal the joins.



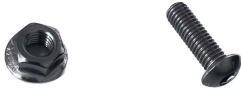
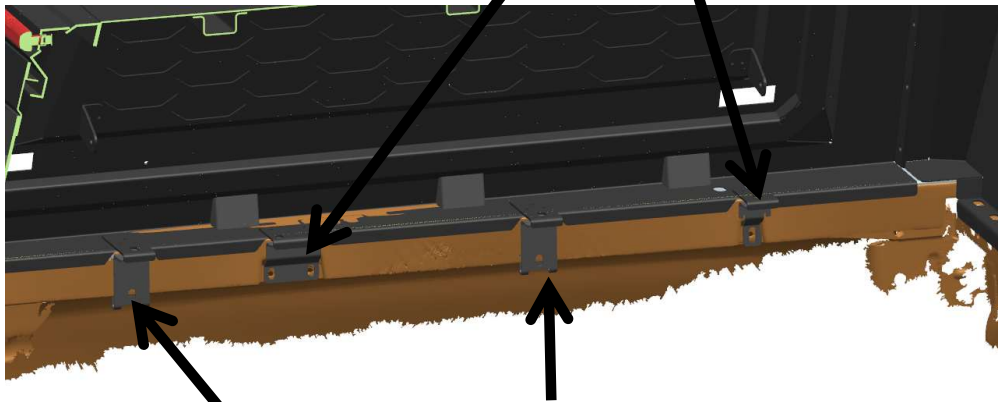
Upon completing the adhesive application, utilize auxiliary tools to stitch along the glued area.



Step 7: Securing the canopy to the vehicle



Install with the original hole bracket and fixed with the M8 type screw and anti-release nuts.



Install using snap-on brackets and fixed with the M8 type screw and anti-